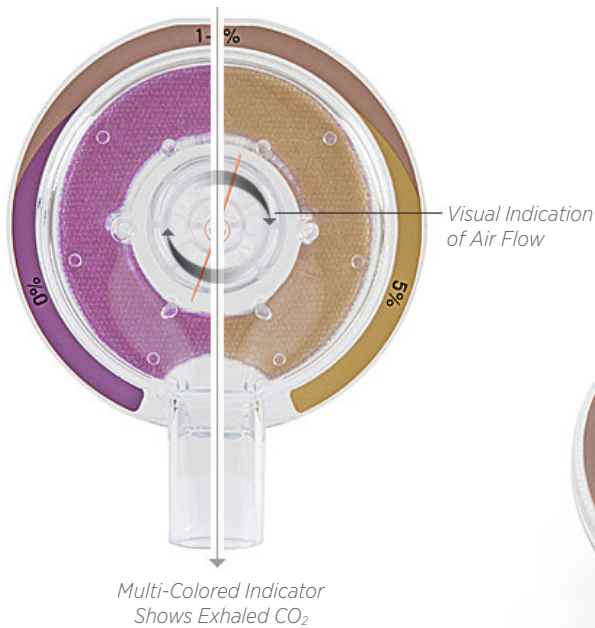


FLOCAP[®] Flow Indicator

*“The FLOCAP is a single-use
CO₂ & flow indication device”*

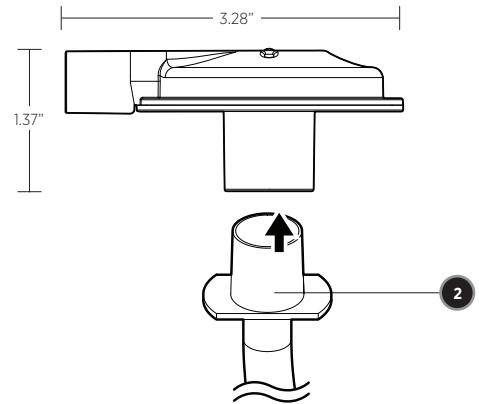
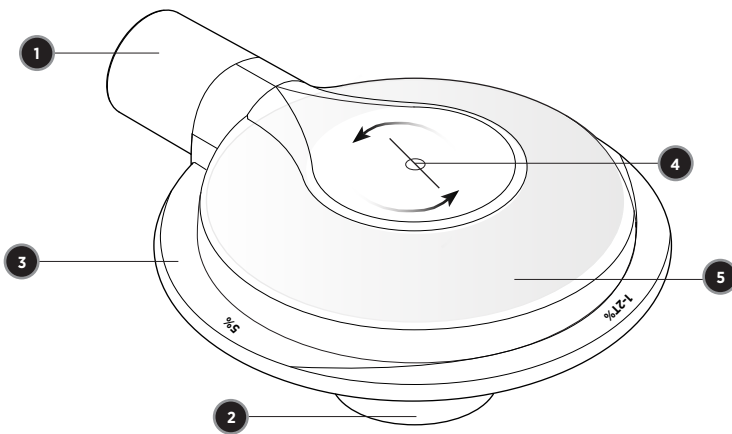


► FLOCAP Flow Indicator

The FLOCAP is a single-use CO₂ & flow indication device designed for visualization of a patient's exhaled CO₂ and expiratory flow. The CO₂ indication will assist the user in verifying proper ET tube placement. The flow indicator helps the caregiver identify end of exhalation which may help prevent breath stacking and its associated health issues during resuscitation.

Part Numbers

FLOCAP 24/pkR500P21



1. 15mm Inlet

Connects to Resuscitation Bag

2. 22mm Outlet

Connects to ET Tube/Ventilator

3. CO₂ Indication Label

Colored by CO₂ range from 0 to 5%

4. Flow Indicator

Visual Indication of expiratory flow

5. Multi-Colored CO₂ Indicator

Color ranges based on CO₂ level

- ▶ Long shelf life
- ▶ High definition color
- ▶ Patented Flow indicator Spinner
- ▶ Highly Visible

Specifications

Flow Sensitivity:1 LPM
CO ₂ Detection:0%, 1-2%, >5%
Use Duration:24 hours
Storage Temperature:	5°C (41°F) to 25°C (75°F)
Use Temperature:	10° C (50°F) to 40°C (104°F)
Internal Volume:	<25 ml
Leak Rate:	0.00 ml/min
Compliance:	0.44 ml/kPa
Device Weight:	23 grams
Pressure Drop:	0.7 cmH ₂ O @ 30 LPM, 2.7 cmH ₂ O @ 60 LPM, 5.7 cmH ₂ O @ 90 LPM
Connector Port (Patient End):	15 mm Inner Diameter/22 mm Outer Diameter
Connector Port (Ventilator End):	15 mm Outer Diameter
Patient Size:	>15 Kg (33 lbs)

ML#252 Rev.C



6526 South Cottonwood Street
Salt Lake City, Utah 84107

866.4.Maxtec | www.maxtec.com