

CHAMPION™

Quality Healthcare Seating Products

65 Series

MEDICAL RECLINER/TRANSPORTER

RATED UP TO 300 LBS.

Part #650 MANUAL RECLINER
Part #65P POWER RECLINER



65P shown with optional side table and head flap.

Increased padding for added softness and comfort, subtle curves and swing-away arms make the 65 Series recliner ideal for both patient and caregiver. It has all the durable engineering of our Classic recliner with an upscale look offered in both Manual and Power recline. The 65 Series is optimal for oncology, surgery, infusion therapies, dialysis, orthopedics, pediatrics and other treatment needs.

All steel, powder-coated frame for durability.

Z-spring construction for greater comfort.

Swing-away arms make transferring easier.



STANDARD FEATURES

Swing-away arms

Fold-away side table (one)

Push handle

Retractable foot tray

4" dual thermoplastic casters

Wall-hugger mechanism (infinite recline positions)

Thermo-sensitive seat foam

Quick-release seat

Thermo-sensitive seat foam



Wall-hugger recline mechanism



Quick-release seat



STANDARD VINYL SELECTION



Natural T09



Aquamarine T19



Bonnie Blue T21



Iced Mint T26



Tearose T43



Colonial Blue T45



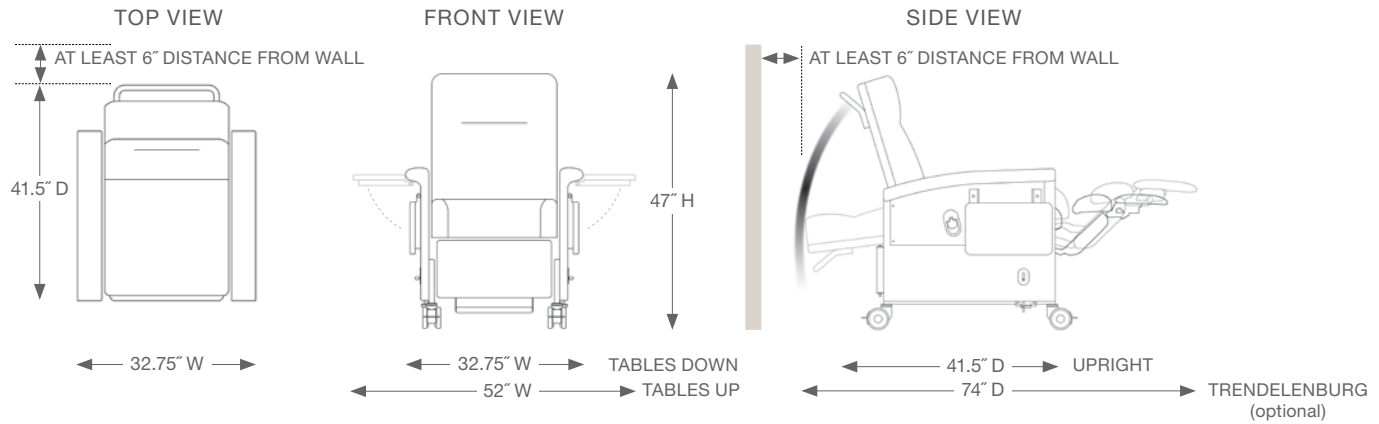
Gray T56



Cranberry T96

Printed color swatches may not be an exact match to actual fabrics and are enlarged to show detail.

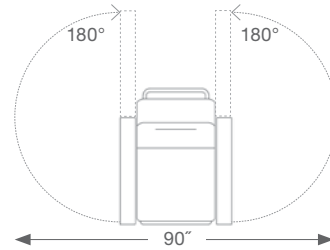
SPACE REQUIREMENTS



SPECIFICATIONS

Weight capacity	300 lbs.
Back height (from floor/seat)	47"/26.25"
Overall width (2 tables down/up)*	32.75"/52"
Seat width	22.5"
Arm height (from floor, front/back)	29"/26"
Seat height/depth	24.5"/20.5"
Upright overall depth (w/handle)	41.5"
Thermoplastic casters (dual)	4"

TOP VIEW WITH SWING-AWAY ARMS



OPTIONS

Trendelenburg (T)
Additional fold-away side table (S7)
Cupholder – on all tables (C), on one of two tables, specify (CUP-HOLDER L) or (CUP-HOLDER R)
Heat (J) – (650 manual model only)
Heat and massage (JM)
Cal 133 fire barrier (3)**
Vinyl upgrades
Champion, non-standard vinyl (NSV)***
Customer's own material (COM)
PVC-free material
Antimicrobial material
Battery backup (BATTERY) – (65P model only)
Dual-hand control (DUALACT-PWR) – (65P model only)

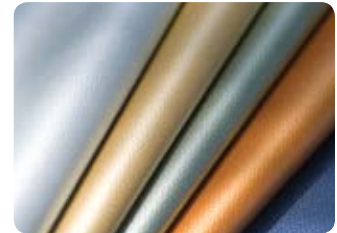
*Measured with both arms closed.

**Contact Champion for a list of fire-tested vinyls.

***For available patterns and colors for non-standard vinyl, please contact your Champion sales representative.



HEAT OR HEAT/MASSAGE



VINYL UPGRADES



TRENDELENBURG

ACCESSORIES

Provide your patient the best care and comfort with an over-the-lap tray, cup holders, head pillow/lumbar support, cushion wedge/arm support, footrest extender, TV mount, IV poles or an oxygen tank holder. For a

complete list of our accessories, please see our *Accessories* brochure or ask your Champion sales representative for more information.

CHAMPION™

Champion Manufacturing, Inc.
 2601 Industrial Parkway, Elkhart, IN 46516

1.800.998.5018
www.championchair.com