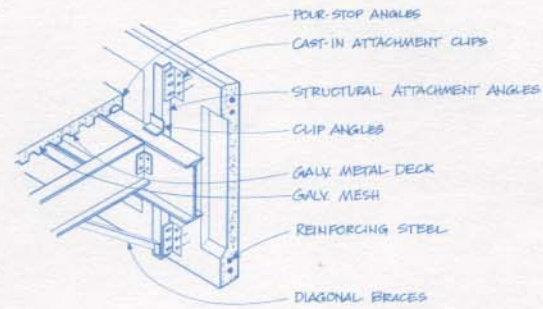
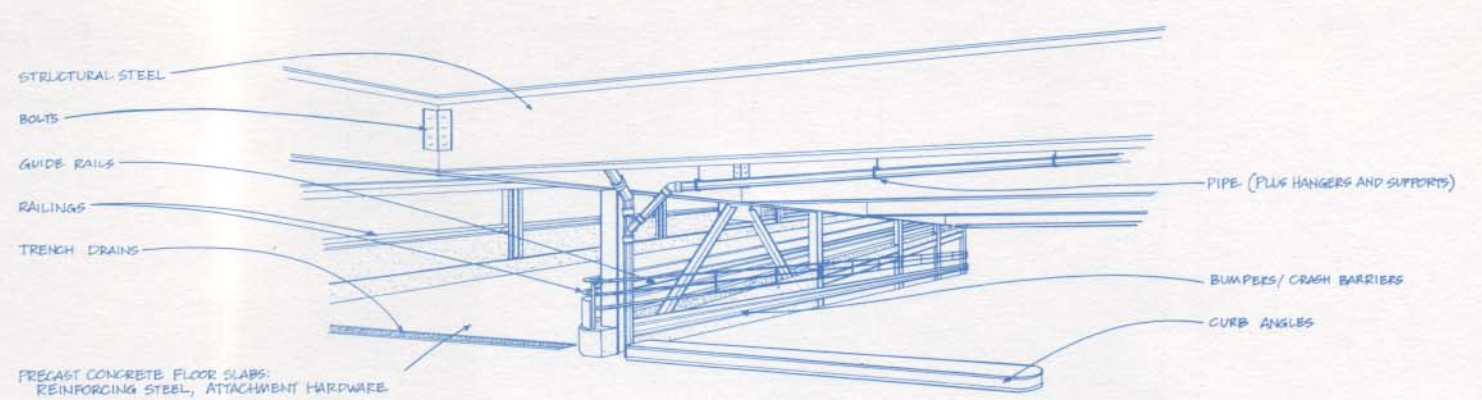


**Architectural
and Engineering
Design Guide**

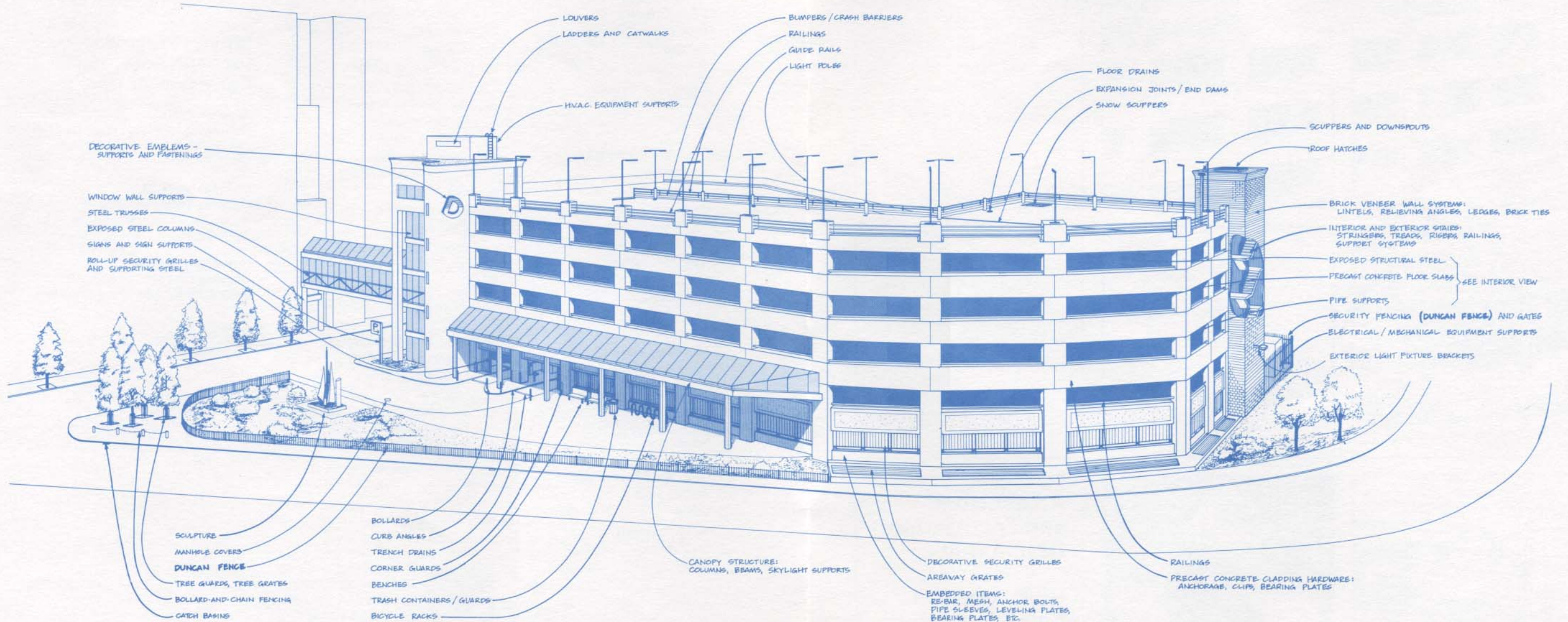

**High Potential
Corrosion Areas
in Parking
Garages**



PRECAST CONCRETE ATTACHMENT



INTERIOR VIEW- EXPOSED STRUCTURAL STEEL

High Potential Corrosion Areas
Sheet No. 2
Parking Garage

Parking Garage Design Check List

Project Name _____ Date _____

Division 2 – Site Work

- Railings
- Fence/Gates
- Duncan Fence**
- Guide Rail
- Signs/Sign Supports
- Light Poles
- Bike Racks
- Trash Containers
- Tree Guards/Grates
- Manhole Covers
- Utility Covers
- Post & Chain Fencing
- Bollards
- Other _____
- _____
- _____
- _____

Division 3 – Concrete

- Precast Hardware
- Brick Ledges
- Relieving Angles
- Anchor Bolts
- Reinforcing Steel
- Mesh/Embedded Items
- Lintels
- Curb Angles
- Corner Protectors
- Bumpers
- Expansion Joints
- End Dams
- Other _____
- _____
- _____
- _____

Division 4 – Masonry

- Anchor Bolts
- Lintels
- Relieving Angles
- Brick Ledges
- Other _____
- _____
- _____
- _____

Division 5 – Structural/Misc. Steel

- Structural Supporting Steel
- Railings
- Fences and Gates
- Duncan Fence**
- Anchor Bolts
- Relieving Angles
- Lintels
- Brick Ledges
- Ladders
- Trash Containers
- Tree Guards/Grates
- Catwalks
- Gratings
- Channel and Stringers
- Security Light Poles
- Architectural/Ornamental Steel
- Canopy Supports
- Scuppers/Drains
- Trench Cover/Drains
- Pipe Hangers/Supports
- Security Grills
- Sculptures
- Drain Pipe
- Other _____
- _____
- _____
- _____

Division 15 – Mechanical

- Exterior Anchor Bolts
- Catwalks
- Gratings
- Supporting Steel for Mechanical/HVAC Equipment
- Hangers
- Other _____
- _____
- _____
- _____

Division 16 – Electrical

- Anchor Bolts
- Gratings
- Pipe Supports
- Supporting Steel for Mechanical/HVAC Equipment
- Light Poles
- Other _____
- _____
- _____
- _____

Proven Processes for High Potential Corrosion Areas

Duragalv (DG)

Enhanced hot dip galvanizing for today's steel utilizing environmentally friendly High Grade zinc.

Colorshield (CS)

A translucent polymer coating that is *perfect* for those areas where a hint of color is desired.

Primergalv (PG)

A factory applied universal primer for freshly galvanized steel, which is to receive a field-applied topcoat.

Colorgalv (CG)

A patented and warranted factory-applied architectural color finish for hot dip galvanized steel.

Thermoset (TS)

A high performance, dry applied polyester material that can be applied over ANY metal substrate including aluminum, or "black steel". Ideal for interior applications or wherever "architectural definition" is required

Thermoplex (TP)

A high performance dry applied thermoplastic elastomeric coating that can be applied over ANY metal substrate including aluminum, or "black steel". Exceptionally durable, it has been proven to withstand 20,000 salt spray testing.

Colorgalv Thermoset (CGTS) and Colorgalv Thermoplex (CGTP)

Where extreme corrosion is a concern, Duncan Colorgalv Thermoset and Duncan Colorgalv Thermoplex are designed to be applied over a freshly galvanized surface.



Duncan Galvanizing
69 Norman Street
Everett MA 02149
Tel 617 389 8440
Fax 617 389 9277

Quality Since 1890

© Copyright 1988, Duncan Galvanizing Corp., all rights reserved.