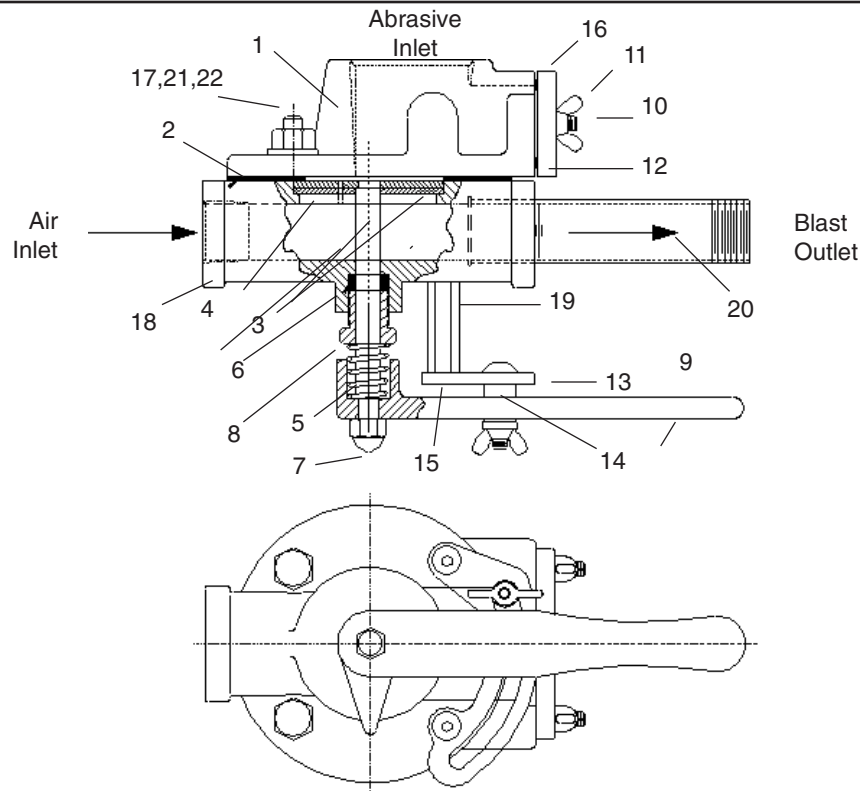


Parts List



Old#	New#	Description	Old#	New#	Description
-	254-000	620-100-06	M-70 Valve		
1	254-001	620-150-91	Valve Top		
2	254-004	261-030-07	Valve Top Gasket		
3	254-006	620-150-59	Stem & Upper Disc		
4	254-007	620-150-53	Lower Disc & Pin		
5	254-008	545-030-05	Spring		
6	254-009	620-150-87	Stem Packing (Set of 7)		
7	254-010	226-101-06	Acorn Nut, 3/8-16		
8	254-011	620-152-03	Packing Gland Nut		
9	254-013	620-151-21	Control Lever		
10	254-024	226-015-01	Bolt, Sq Hd 5/16-18 x 1		
11	254-025	226-103-06	Wingnut, 5/16-18		
12	351-005	470-030-02	O Ring		
13	254-014	620-151-20	Quadrant Segment		
14	254-015	360-030-24	Lever Stop Assembly		
15	254-016	226-069-02	Cap Screw, FH 5/16-18 x 3/4		
16	254-020	360-030-19	Clean-out Plug with O Ring		
17	254-035	226-008-07	Cap Screw, 1/2-13 x 1 3/4*		
18	254-022	620-150-09	Valve Body		
19	254-023	620-152-02	Quadrant Stud*		
20	254-030	620-151-84	Discharge Nipple		
21	254-036	226-100-09	Nut, Hex, 1/2-13 UNC		
22	226-124-05	226-124-05	Lock Washer, 1/2		
					<i>Lever Stop Assembly Includes:</i>
			254-017	230-141-18	Coupling, 1/8 NPT
			254-019	226-033-04	Carriage Bolt, 5/16-18x1-1/2
			254-018	226-124-02	Lock Washer, 5/16
			254-025	226-103-06	Wingnut, 5/16-18
			254-095	360-030-10	Repair Kit
					<i>Repair Kit Includes:</i>
			254-004	261-030-07	Valve Top Gasket
			254-006	620-150-59	Stem & Upper Disc
			254-007	620-150-53	Lower Disc & Pin
			254-008	545-030-05	Spring
			254-009	620-150-87	Stem Packing (Set of 7)
			254-010	226-101-06	Acorn Nut, 3/8-16
			254-011	620-152-03	Packing Gland Nut
			254-013	620-151-21	Control Lever
			254-024	226-015-01	Bolt, Sq Hd 5/16-18 x 1
			254-025	226-103-06	Wing Nut, 5/16-18
			351-005	470-030-02	O Ring

* Torque quadrant stud and 1/2-13 cap screw to 35 foot-pounds.

WARNING

- READ ALL WARNINGS PRIOR TO EVERY USE.
- NEVER USE ANY PAULI SYSTEMS SUPPLIED PARTS OR EQUIPMENT WITH SAND ABRASIVE.
- INSPECT ALL EQUIPMENT PRIOR TO USAGE.
- NEVER USE DAMAGED OR IMPROPERLY FUNCTIONING EQUIPMENT. DOING SO MAY BE HAZARDOUS TO YOUR SAFETY AND THE SAFETY OF THOSE AROUND YOU.