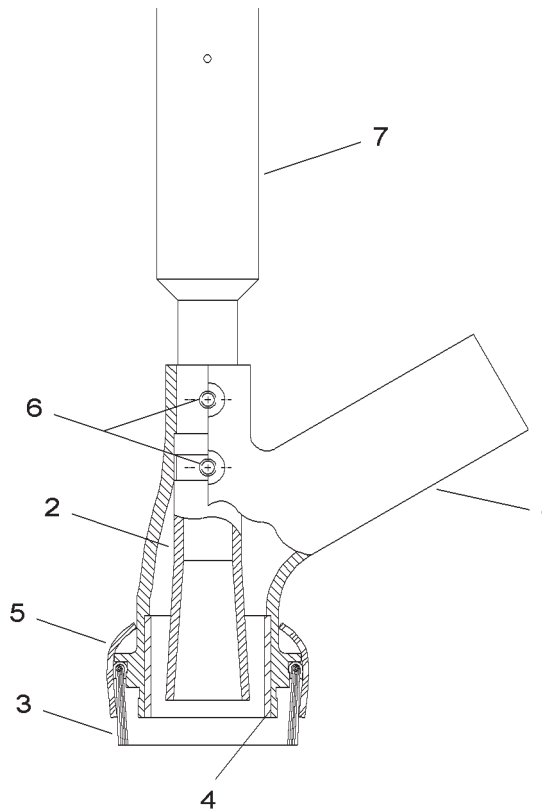


## Parts List



	Old#	New#	Description
1	156-002	265-020-06	Gun Body with Liner, VR-2
2	156-001	265-000-02	Inner Cone, VR-2, Rockwell 60
3	156-004	131-000-01	Straight Brush VR-2
4	156-007	265-020-21	Rubber Liner, VR-2 Gun, Inner
5	156-006	265-020-01	Brush Retainer, VR-2 Gun, Outer
6	430-011	226-067-01	Set Screw, Cup Point, 1/4-20 x 3/8, SS (2 Req'd)
7	725-040	427-109-04	Nozzle, PTX-4
			Optional Brushes
	156-005	131-000-02	Inner Corner Brush
	156-008	131-000-03	Outside Corner Brush
	156-010	131-000-04	Uneven Surface Brush
	156-014	131-000-05	Outside Corner Brush with Aluminum Housing

### WARNING

- READ ALL WARNINGS PRIOR TO EVERY USE.
- NEVER USE ANY PAULI SYSTEMS SUPPLIED PARTS OR EQUIPMENT WITH SAND ABRASIVE.
- INSPECT ALL EQUIPMENT PRIOR TO USAGE.
- NEVER USE DAMAGED OR IMPROPERLY FUNCTIONING EQUIPMENT. DOING SO MAY BE HAZARDOUS TO YOUR SAFETY AND THE SAFETY OF THOSE AROUND YOU.