

# Replacing the LVDS data cables

(pn 11991205SP)

## Overview

The LVDS Data Cable kit is designed to be used with AlphaEclipse Excite™ 20mm and 23mm pitch signs and consists of eight cables of varying length.

Part #	Quantity	Description
1199120502	1	LVDS data cable, 55-inches
1199120503	1	LVDS data cable, 45-inches
1199120504	1	LVDS data cable, 35-inches
1199120505	1	LVDS data cable, 20-inches
1199120506	1	LVDS data cable, 85-inches
1199120507	1	LVDS data cable, 75-inches
1199120508	1	LVDS data cable, 10-feet
1199120509	1	LVDS data cable, 15-feet

**WARNING!** Hazardous voltage. Contact with high voltage may cause death or serious injury. Always disconnect power to unit prior to servicing.

Notice: Observe appropriate precautions to prevent electrostatic discharge (ESD) or “static” damage to the replacement part. For safe handling of ESD-sensitive parts, see TechMemo #00-0005.

### ⇒ Replacing LVDS data cables.

1. Disconnect all power to the sign at the power source.
2. Locate the door locks in the section with the appropriate LVDS cable(s).

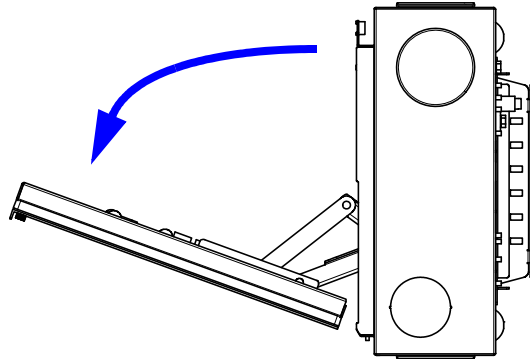


Figure 1: Location of door locks

3. Open the section door(s).
  - Using a 5/32-inch hex tool to open the section door lock, turn counterclockwise and then pull the door toward you.



5/32-inch hex tool  
(pn 6811-7076)



Open the door slowly to prevent damage to internal components.

Figure 2: Use a hex tool to open the sign

4. Remove the LVDS cable(s).

---

Notice: When replacing more than one cable, we recommend removing one cable and immediately replacing it before removing additional cables.

---

- Cut the tie-wraps holding the cable in place.
  - Disconnect each end of the cable and remove from sign.
5. Connect the LVDS cable(s).

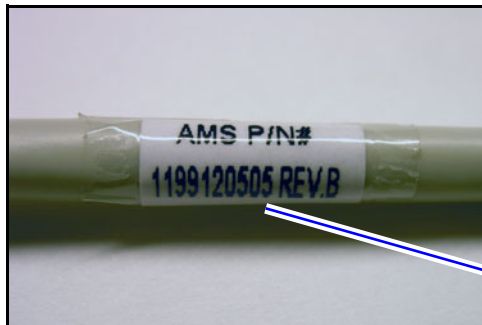


Figure 3: Each cable has a part number label

- A. Check the part number on the cable you removed and use a new cable with the same number.
- B. Connect the RED end to the OUTPUT.
- C. Connect the BLUE end to the INPUT.
- D. Replace tie-wraps you cut with new ones.

The part number is indicated on every cable.

6. Close the sign door, tighten door locks, and apply power to the sign.