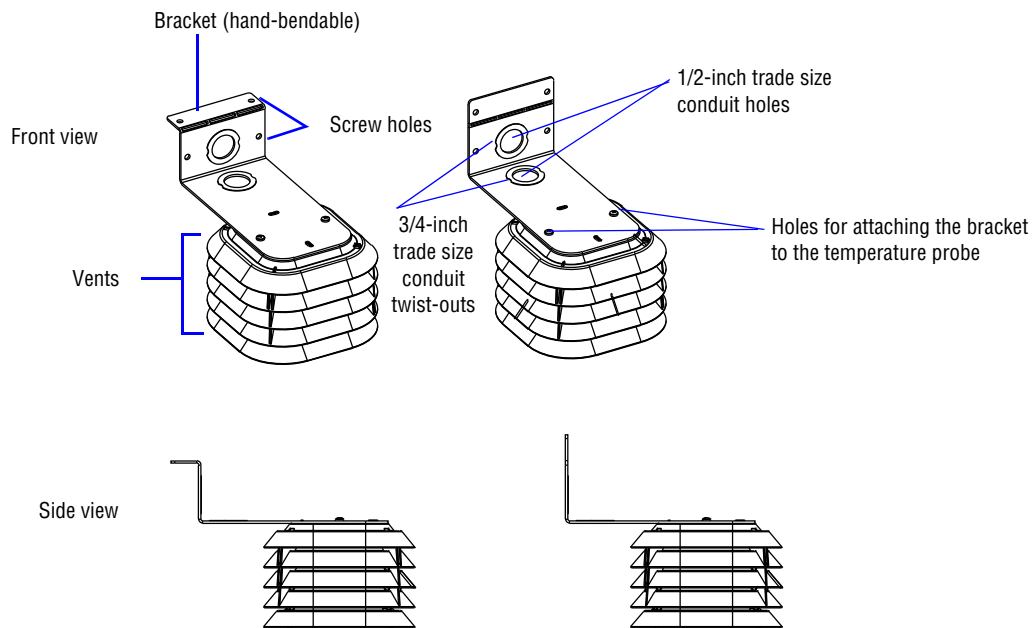


Temperature Probe (pn 1288250401SP)

About the temperature probe

The temperature probe is used to display the current temperature on the sign. The best location for the temperature probe is on the sign or sign's structure. You can select a location for the temperature probe up to 25 feet from the sign. You can extend the distance by changing the gauge of the cable. Contact Technical Support for more information.

For two or more signs connected as Master/Secondary or Master/Slave, connect the temperature probe to the Master sign.



This is the correct orientation of the temperature probe. Vents must ALWAYS point downward.

Contents

- One temperature probe
- One bracket
- Two Phillips-head screws (in the bag with the bracket)
- Instructions

Tools required

Phillips-head screwdriver and other tool(s) depending on the how the temperature probe is mounted.

Mounting guidelines

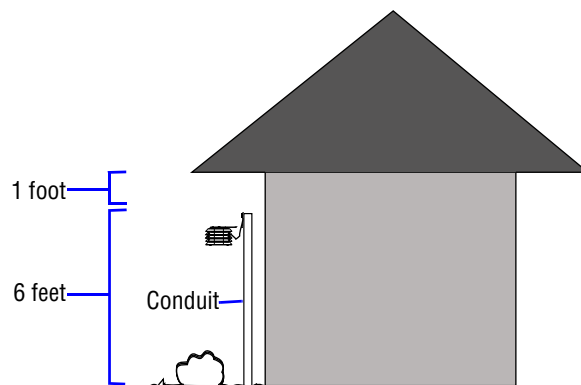
Choose a mounting location that meets the following criteria:

- Air movement is not restricted by nearby walls or other obstructions.
- The mounting background is light-colored and not dark-colored.
- The location is above vegetation and not above asphalt or blacktop.
- The location is on the north side of a building to provide protection from the sun.
- The location shields the probe from the effect of the direct sun, reflected heat, or any nearby sources of heat, such as chimneys, lamps, vents, or HVAC ducts.
- The location is at least six feet off the ground.
- The location is at least one foot below the eave of a protected overhang so convection current (rising hot air flow) is not trapped around the temperature probe. Make sure convection currents are not blocked by mounting plates.

Notice! DO NOT mount the temperature probe along the top of the sign or near sprinklers or water fountains.

The following illustration is an example of where the temperature probe should be mounted:

- Shielded from sun
- Located on north side of building
- Air movement not restricted
- Above vegetation



Replacing the temperature probe

1

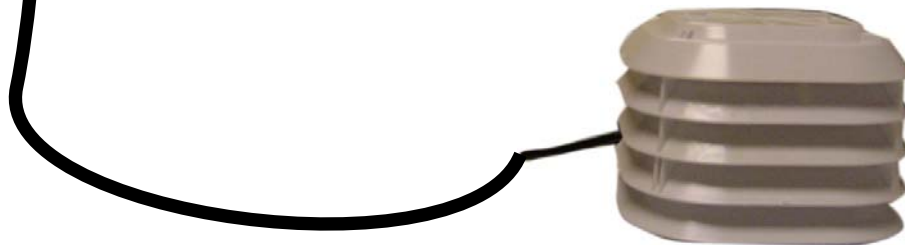
Disconnect the temperature probe from the sign.

Controller on the back of the sign (bottom right-most case).



- Turn the locking sealer 1/2 turn counterclockwise and pull out, away from the controller (it should pop out away from the controller as you turn).
- Carefully pull out the temperature probe cable.

Note: The temperature probe can be connected to any one of the three ports on the back of the controller. The other two ports are for the light sensor(s).

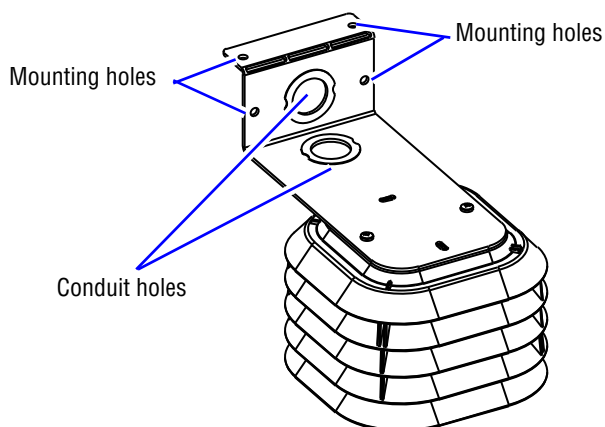


Temperature probe (without bracket).

2

Remove the temperature probe and bracket.

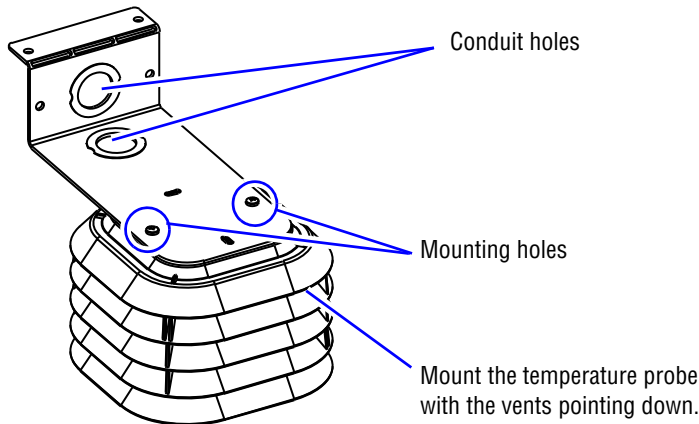
- Remove the cable routed through the bracket.
- Remove the bracket from the surface to which it is mounted.



3

Mount the new temperature probe to the new bracket.

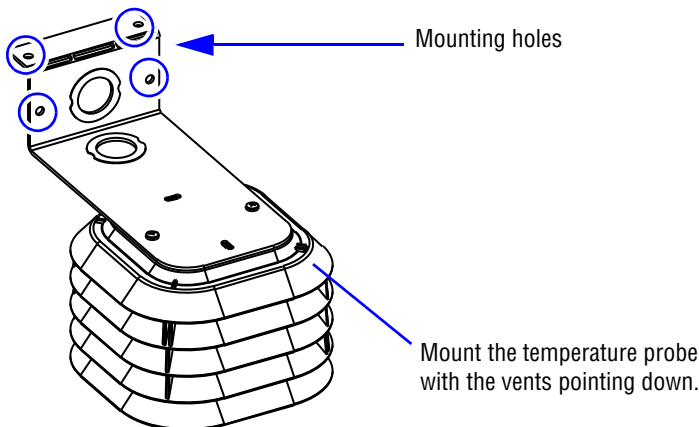
- Route the cable through the conduit hole(s) as appropriate.
- Insert the two Phillips-head screws through the indicated mounting holes, and fasten to the temperature probe with the vents on the probe pointing down.



4

Mount the new temperature probe.

Mount the temperature probe using the mounting holes on the bracket, making sure the vents on the probe are pointing down.



5

Connect the temperature probe cable to the controller on the back of the sign.

- Line up the connectors and gently push the temperature probe connector into one of the connectors on the back of the controller.

Note: The temperature probe can be connected to any one of the three ports on the back of the controller. The other two ports are for the light sensor(s).

- Turn and push in the locking sealer in a clockwise direction.
- Once the sealer goes in, turn 1/2 turn clockwise.

6

Recycle power to the sign.

The sign will not acknowledge the presence of the temperature probe until power is recycled.