
*WindStorm*TM WIND LOAD-RATED SYSTEMS



GARAGE DOOR SELECTION GUIDE

The Genuine. The Original.





The Genuine. The Original.



The genuine. The original. That's Overhead Door. We invented the first upward-lifting garage door in 1921 and the first electric door opener in 1926. Today, we continue to set standards in the industry with quality construction and designer details that add value and beauty to any home.

We've included information to help you choose the door system that's best for your architecture, your lifestyle and your climate. Should you have any questions of your own, simply contact the real authority: the Overhead Door Distributor. Our authorized Distributors are part of a nationwide network of sales and service professionals who share the Overhead Door name and Red Ribbon trademark – as well as our commitment to quality and service.

Call 1-800-929-3667 (DOOR) to contact an Overhead Door Distributor near you.

www.OverheadDoor.com

Choosing a Door

What to consider when selecting a door

Style

Whether your home is classic or contemporary, Overhead Door offers styles to best complement your home's architecture. For a distinctive, custom look, choose insulated doors from our elegant Courtyard Collection®, Thermacore® Collection or Impression Collection® or the custom fine wood doors of the Signature® Carriage Collection.

Appearance

To further individualize your door and enhance the look of your home, we offer numerous options, including a variety of windows, glass, decorative hardware and colors.

Safety

If you have children or pets, we recommend a door with enhanced safety features. If you live in an area that is prone to high winds, our WindStorm™ doors, ordered with proper wind load options, provide reliable protection against high wind damage and offer fine craftsmanship, durability and style.

Comfort

If you live in a climate with extreme hot or cold temperatures, we recommend a well-insulated, thermally-efficient door to ensure your comfort. Some of our insulated doors, including the Courtyard Collection® and Thermacore® Collection, also feature a steel backing that lends a finished, clean look to your garage's interior.

Environment

Our Thermacore® Collection is insulated to an R-value of up to 17.5 for optimal thermal efficiency. Additionally, the overlays on our Courtyard Collection® doors are made from recycled wood byproducts.

WindStorm™

Wind load-rated system for garage doors



Reliable protection against high winds and wind-borne debris

As the largest point of entry, your garage door offers the largest opportunity for high-pressure destruction. That's why when high winds hit, a reinforced garage door is one of your home's – and your family's – most important safeguards against nature's fury. WindStorm™ rated doors from Overhead Door not only provide reliable protection against high wind damage, but also feature fine craftsmanship, trouble-free performance, lasting durability and eye-catching curb appeal.

Designed for strength and stability*

- Stringently tested to meet wind load requirements
- Optional impact rating on select door models
- Reinforced hardware throughout door
- Additional horizontal bracing for further reinforcement
- Optional impact rated glass for additional safety and protection
- Insulated door system designs provide thermal efficiencies
- Various door system design options to meet door size requirements, wind zone requirements, exposure categories as well as aesthetics



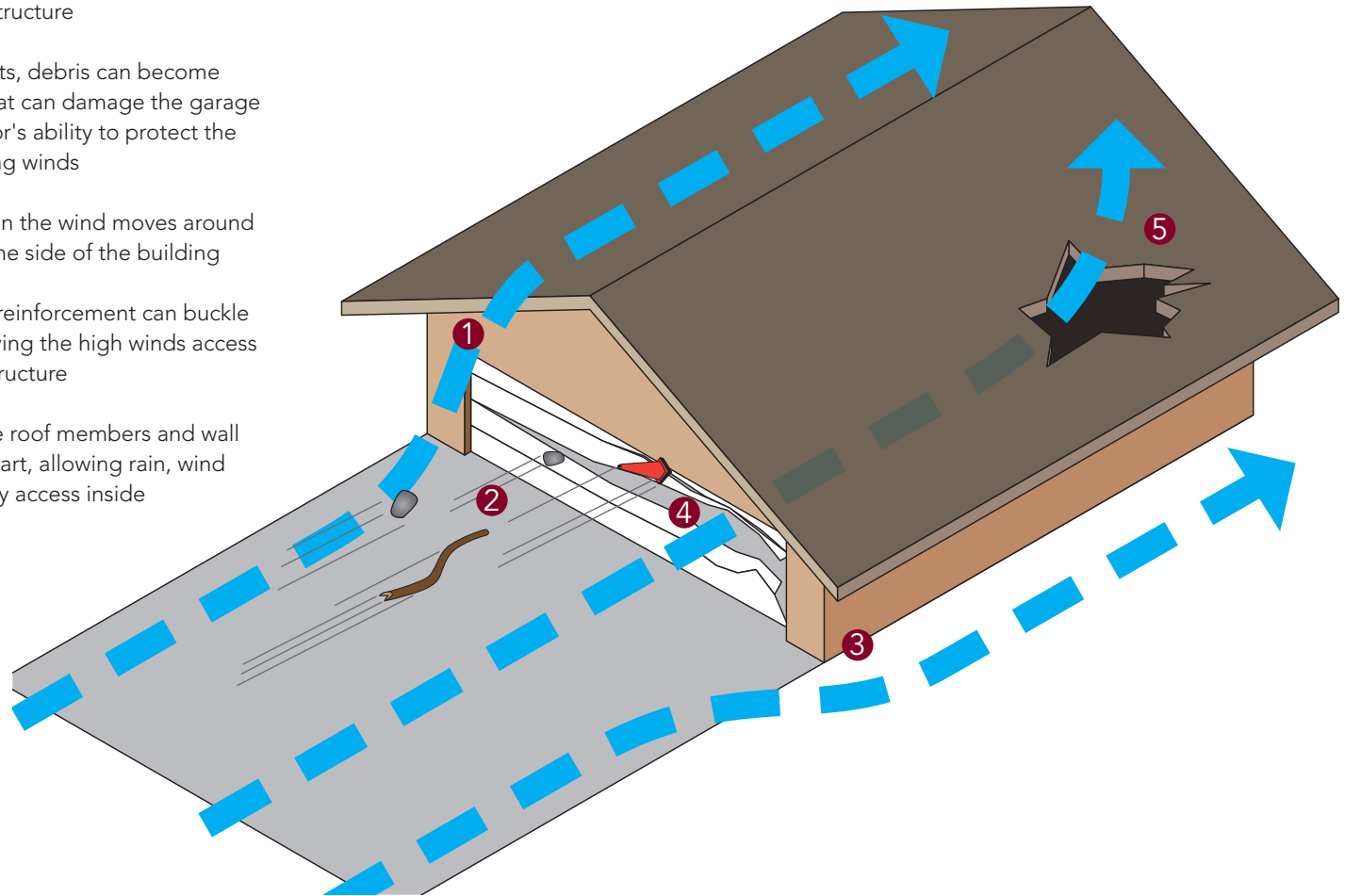
* Refer to wind load design standards chart on page 7 for door model and applicable code requirements. Wind load and impact resistance requirements vary by region. Please contact your local Overhead Door Distributor for more information.

WindStorm™

Wind load-rated system for garage doors

Wind-structure interaction

- 1 High winds first create pressure against the windward side of the structure
- 2 During high wind events, debris can become powerful projectiles that can damage the garage door, reducing the door's ability to protect the home against damaging winds
- 3 Pressure increases when the wind moves around the corner and down the side of the building
- 4 Garage doors with no reinforcement can buckle under the pressure, giving the high winds access to the interior of the structure
- 5 This often results in the roof members and wall panels being blown apart, allowing rain, wind and debris to have easy access inside



WindStorm™

Wind load-rated system for garage doors

Designed to protect your family and property

- Wind load door systems are designed to meet local building codes for wind speed to accommodate the needs of the windy city of Chicago to a hurricane in Miami.
- Additional wind load options that meet impact/cyclic tests required for insurance, may qualify the homeowner for insurance discounts.
- Overhead Door has a breadth of stylish wind load-rated door systems from wood doors to premium insulated doors, to include impact-rated glass windows. These products will meet the protection levels you demand to keep your family and property safe.

Protection against wind and weather

Overhead Door created an exclusive line of innovative wind load garage doors, fashioned to withstand nature's power. Our residential wind load options provide superior craftsmanship, durability, trouble-free performance and additional protection against:

- Hurricanes
- High-wind damages
- Internal and external pressure changes
- Wind-borne debris

Meets or exceeds these requirements

Overhead Door offers door systems that meet or exceed these following building codes or approval agency standards:

- International Building Code (IBC) and International Residential Code (IRC)
- Florida Building Code (FBC)
- Texas Department of Insurance (TDI)
- Miami-Dade County approved

WindStorm™

Wind load design standards

Our Windstorm™ wind load-rated garage doors, with properly selected wind load options, are tested and designed to provide additional reinforcement in pressure conditions caused by strong winds from extreme weather. As the homeowner, it's important to check with your local building code official for your home's specific wind load requirements and appropriate design pressure (PSF – pounds per square foot) to help in determining the best door option for your home's demands.

Refer to table below to find the base door series and choose your recommended wind load options to meet applicable approval agencies requirements.



Approval agencies/building codes

	Traditional Steel Collection	Thermacore® Collection	Courtyard Collection®	Carriage House Collection	Durafirm Collection®	Impression Collection®	Modern Aluminum Collection	Signature® Carriage Collection
International Building Code (IBC) & International Residential Code (IRC)	•	•	•	•	•	•	•	•
Florida Building Code (FBC)	•	•	•	•	•	•	•	
Florida Building Code (FBC) — Impact Rated	•	•	•					
Texas Department of Insurance (TDI)	•			•		•		
Texas Department of Insurance (TDI) — Impact Rated	•							
Miami-Dade County	•							

Traditional Steel Collection

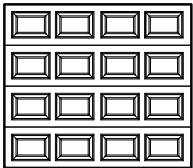
Essential garage doors

Our Traditional Steel Collection garage doors offer three model options to choose from, each uniquely designed to provide lasting performance and durability to meet your wind load needs at our best value.

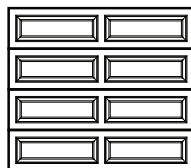
Panel style

Our Traditional Steel Collection doors feature a simulated wood grain embossment to enhance the appearance of your door. Choose from standard, long or V5 panel

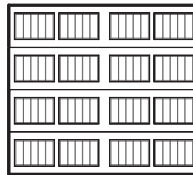
Models 170/173/180/183
Standard (S)



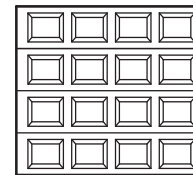
Models 171/174/181/184
Long (L)



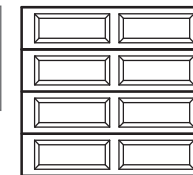
Models 175/176/185/186
V5 (V)*



Model 391
Standard (S)



Model 399
Long (L)



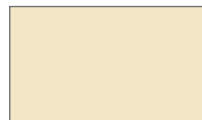
*Uses Standard panel (SP) windows.

Color

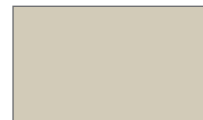
All doors are available in the colors shown or can be painted to match your home's décor.**



White



Almond



Desert Tan



Taupe/ Sandstone†



Brown

**Colors may vary slightly from these shown and may not be available on all individual models. See painting instructions for details.

†Called sandstone on Models 391 and 399.

Window style

For the full selection of windows for Traditional Steel Collection doors please see page 24.

Contact your Overhead Door Distributor to determine window availability and your local building official for code requirements.

Decorative hardware

For specific hardware details please see page 26.





Building code/agency requirements

Exposure B	Door width up to	Wind speeds/Design pressures MPH ¹ /MPH ² /PSF design pressure	Impact resistant	Glass available	
				Standard	Impact
390 Series Doors available up to 14' tall	9'	130 mph ¹ /160 mph ² (+26.70/-30.20)	No	SP/LP ³	SP
	10'	120 - 130 mph ¹ /150 - 160 mph ² (+22.80/-25.80) - (+26.90/-30.40)	No	SP/LP ³	SP
	12'	120 mph ¹ /150 - 160 mph ² (+23.40/-26.50) - (+24.70/-27.90)	No	SP/LP ³	SP
	16'	110 - 150+ mph ¹ /140 - 200+ mph ² (+18.40/-20.50) - (+62.10/-69.20)	No	SP/LP ³	SP
	18'	120 - 150+ mph ¹ /150 - 200+ mph ² (+21.80/-28.50) - (+54.50/-60.80)	No	SP/LP ³	SP
170/180 Series Doors available up to 13'10" tall	9'	100 - 170 mph ¹ /120 - 200+ mph ² (+15.90/-18.20) - (+46.00/-52.00)	Yes ³	SP	SP ³
	16'	90 - 170 mph ¹ /115 - 200+ mph ² (+12.40/-13.80) - (+46.00/-52.00)	Yes ³	SP	SP ³
	18'	90 - 170 mph ¹ /115 - 200+ mph ² (+12.40/-13.80) - (+46.00/-52.00)	Yes ³	SP	SP ³

¹ Above wind speeds based on ASCE 7-05 are applicable for enclosed structures with an importance factor of 1.0, mean roof height of 30', and assume a maximum of 2' of the door is located within the end zone of a structure. The above wind speeds listed as a guide only. Wind speed is only one of many factors that determine the design pressure on a structure. The design and location of the structure can have a great effect on the loads placed on the garage door. Consult a registered architect or structural engineer to determine what design pressure is appropriate for your application.

² Above wind speeds based on ASCE 7-10 Category II structure with a mean roof height of 30' and a maximum of 2' of the door is located within the end zone of a structure. The above wind speeds listed as a guide only. Wind speed is only one of many factors that determine the design pressure on a structure. The design and location of the structure can have a great effect on the loads placed on the garage door. Consult a registered architect or structural engineer to determine what design pressure is appropriate for your application.

³ Options available on select models.

• Wind load drawings available upon request.

SP - Standard panel windows, LP - Long panel windows

Traditional Steel Collection

Embossed wood grain texture

Adds beauty, sophistication and durability.

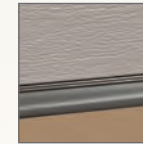
Reinforced door construction

For maximum strength, durability and minimal weight.



Durable finish

Hot-dipped galvanized steel with two coats of baked-on polyester paint.



Bulb-type bottom weatherseal

Guards against wind and rain while providing a cushion when closing.

Models	Thickness	Polystyrene insulation ⁴	R-value ⁵	Heavy-duty steel ⁶	Backing ⁷	Warranty
170 S 171 L 175 V	2"					15-year limited
173 S 174 L 176 V	2"			●		Limited lifetime
180 S 181 L 185 V	2"	●	7.4		Vinyl	20-year limited
183 S 184 L 186 V	2"	●	7.4	●	Vinyl	Limited lifetime
391 S 399 L	2"	●	9.8		Steel	Limited lifetime

S - Standard panel, L - Long panel, V - V5 panel

⁴ Polystyrene insulation: Refers to insulation for improved energy efficiency and sound reduction.

⁵ R-value: The higher the R-value, the greater the insulating properties.

⁶ Heavy-duty steel: A thicker, more durable and dent-resistant option, designed to withstand additional knocks and bumps from outdoor activity.

⁷ Backing: Vinyl – For a clean, more finished look and added sound absorption.
Steel – Interior-side steel backing for strength and finished appearance.

Thermacore® Collection

Premium insulated garage doors

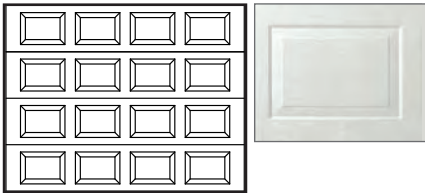
For premium construction and maximum thermal efficiency, Thermacore® Collection insulated steel doors are the ideal choice. Choose from three models featuring our sandwiched insulation design, offering varying strengths of wind load protection for your home.

Panel style

Our Thermacore® doors feature wood grain embossment to enhance the appearance of your door. Doors are available in 7' or 8' height.

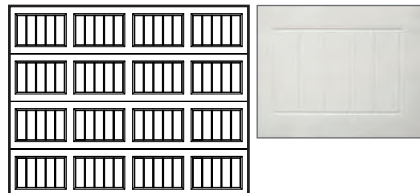
Models 297, 194, 494

Standard (S)



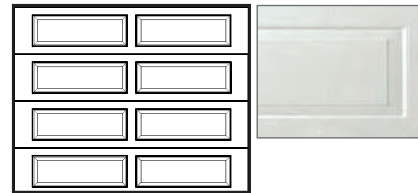
Models 296, 199, 497

V5 (V)*



Models 295, 198, 496

Long (L)



Models 298, 195, 495

Flush (F)



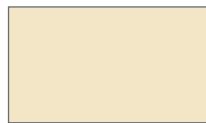
*Uses standard panel (SP) windows.

Color

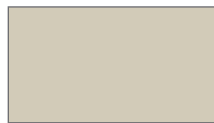
Colors may vary slightly from these shown and may not be available on all models. To custom paint your door, see painting instructions in the owner's manual.



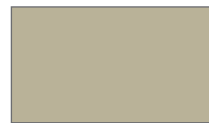
White



Almond



Desert Tan



Sandstone



Terra Bronze**



Brown†



Hunter Green**

**Available in 190 Series only. †Available in 190 and 490 Series only.

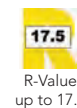
Window style

For the full selection of windows for Thermacore® doors please see page 24.

Contact your Overhead Door Distributor to determine window availability and your local building official for code requirements.

Decorative hardware

For specific hardware details please see page 26.





Building code/agency requirements

Exposure B	Door width up to	Wind speeds/Design pressures MPH ¹ /MPH ² /PSF design pressure	Impact resistant	Glass available	
				Standard	Impact
290 Series Doors available up to 14' tall	9' 2"	150 mph ¹ /190 mph ² (+37.10/-42.00)	No	SP	SP
	10' 2"	140 mph ¹ /180 mph ² (+32.60/-36.90)	No	SP	SP
	12' 2"	130 mph ¹ /170 mph ² (+28.40/-32.20)	No	SP	SP
	14' 2"	120 mph ¹ /160 mph ² (+24.50/-27.70)	No	SP	SP
	18' 2"	110 mph ¹ /140 mph ² (+20.60/-23.60)	No	SP	SP
	20' 2"	85 - 100 mph ¹ /110 - 130 mph ² (+11.70/-13.30) - (+17.50/-19.90)	No	SP	SP
190/490 Series Doors available up to 14' tall	9'	150+ mph ¹ /190 mph ² (+35.60/-40.20)	No	SP/LP	SP/LP
	10'	90 - 140 mph ¹ /115 - 180 mph ² (+14.80/-14.80) - (+37.00/-37.00)	Yes ³	SP/LP ³	SP/LP ³
	16'	120 - 150 mph ¹ /150 - 190 mph ² (+22.00/-24.30) - (+35.70/-40.00)	Yes ³	SP/LP ³	SP/LP ³
	18'	90 - 150+ mph ¹ /120 - 200+ mph ² (+14.80/-14.80) - (+40.00/-44.50)	Yes ³	SP/LP ³	SP/LP ³

¹ Above wind speeds based on ASCE 7-05 are applicable for enclosed structures with an importance factor of 1.0, mean roof height of 30', and assume a maximum of 2' of the door is located within the end zone of a structure. The above wind speeds listed as a guide only. Wind speed is only one of many factors that determine the design pressure on a structure. The design and location of the structure can have a great effect on the loads placed on the garage door. Consult a registered architect or structural engineer to determine what design pressure is appropriate for your application.

² Above wind speeds based on ASCE 7-10 Category II structure with a mean roof height of 30' and a maximum of 2' of the door is located within the end zone of a structure. The above wind speeds listed as a guide only. Wind speed is only one of many factors that determine the design pressure on a structure. The design and location of the structure can have a great effect on the loads placed on the garage door. Consult a registered architect or structural engineer to determine what design pressure is appropriate for your application.

³ Options available on select models.

⁴ W ind load drawings available upon request.

SP - Standard panel windows, LP - Long panel windows

Thermacore® Collection

Thermacore® construction

Provides a continuous layer of foamed-in-place, CFC-free polyurethane insulation sandwiched between two layers of corrosion-resistant steel, for maximum thermal efficiency.

Embossed wood grain texture

Adds beauty, sophistication and durability.

In-between section thermal seals

With an air infiltration rating of up to 0.08 cfm, these seals help to provide superior resistance to the elements.



Durable finish

Hot-dipped galvanized steel with two coats of baked-on polyester paint.



Bulb-type bottom weatherseal

Guards against wind and rain while providing a cushion when closing.

Series	Thickness	Polyurethane insulation	R-value ³	U-factor ⁴	Steel backing ⁵	Warranty
290	1"	●	9.31	0.24	●	20-year limited
190	1 3/8"	●	12.76	0.24	●	Limited lifetime
490	2"	●	17.5	0.16	●	Limited lifetime

³ R-value: The higher the R-value, the greater the insulating properties.

⁴ U-factor: A tested value of actual energy loss - of an installed door, wall, or window assembly.

⁵ Backing: Steel - Interior-side steel backing for strength and finished appearance.




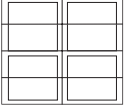
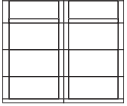
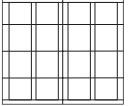
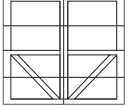
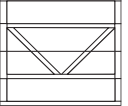
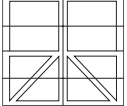
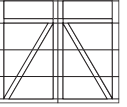
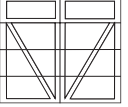
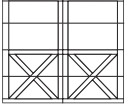
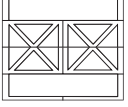


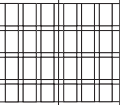
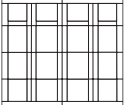
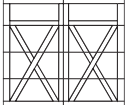
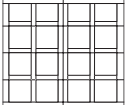
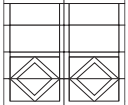
Model 195 Flush panel, White finish

Courtyard Collection®

Custom steel garage doors

Our Courtyard Collection® doors give you the beauty of wood with the durability of steel. Each door model provides varied design options to withstand your homes unique wind load needs.

Panel style

Tier 1	Model 161B 	Model 371M/161M 	Model 371T/161T 	Model 162Z 	Model 166B 	Model 166E† 	Model 375B/165B 
Tier 2	Model 375T/165T 	Model 166T 	Model 167B 	Model 167E† 	Model 371A/161A 	Model 162E 	
Tier 3	Model 164A 	Model 373T/163T 	Model 377T/167T 	Model 162A 	Model 168B 		

†Windows and arches not available.

Color

Door overlays and window trim are available in the colors shown or can be painted to match your home's décor (additional charges may apply). Actual door colors may vary slightly from brochure photos due to fluctuations in printing process.



Window style

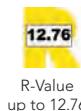
Wind load-rated windows are offered only for 160 Series. Insulated windows are standard.

Contact your Overhead Door Distributor to determine window availability and your local building official for code requirements.



Decorative hardware

For specific hardware details please see page 26.





Building code/agency requirements

Exposure B	Door width up to	Wind speeds/Design pressures MPH ¹ /MPH ² /PSF design pressure	Impact resistant	Glass available	
				Standard	Impact
370 Series Doors available up to 14' tall	9' 2"	150 mph ¹ /190 mph ² (+37.10/-42.00)	No	No	No
	10' 2"	140 mph ¹ /180 mph ² (+32.60/-36.90)	No	No	No
	12' 2"	130 mph ¹ /170 mph ² (+28.40/-32.20)	No	No	No
	14' 2"	120 mph ¹ /160 mph ² (+24.50/-27.70)	No	No	No
	18' 2"	110 mph ¹ /140 mph ² (+20.60/-23.60)	No	No	No
	20' 2"	85 - 100 mph ¹ /110 - 130 mph ² (+11.70/-13.30) - (+17.50/-19.90)	No	No	No
160 Series Doors available up to 14' tall	9'	150+ mph ¹ /190 mph ² (+35.60/-40.20)	No	LP	LP
	10'	90 - 140 mph ¹ /115 - 180 mph ² (+14.80/-14.80) - (+37.00/-37.00)	Yes ³	LP ³	LP ³
	16'	120 - 150 mph ¹ /150 - 190 mph ² (+22.00/-24.30) - (+35.70/-40.00)	Yes ³	LP	LP
	18'	90 - 150+ mph ¹ /120 - 200+ mph ² (+14.80/-14.80) - (+40.00/-44.50)	Yes ³	LP ³	LP ³

¹ Above wind speeds based on ASCE 7-05 are applicable for enclosed structures with an importance factor of 1.0, mean roof height of 30', and assume a maximum of 2' of the door is located within the end zone of a structure. The above wind speeds listed as a guide only. Wind speed is only one of many factors that determine the design pressure on a structure. The design and location of the structure can have a great effect on the loads placed on the garage door. Consult a registered architect or structural engineer to determine what design pressure is appropriate for your application.

² Above wind speeds based on ASCE 7-10 Category II structure with a mean roof height of 30' and a maximum of 2' of the door is located within the end zone of a structure. The above wind speeds listed as a guide only. Wind speed is only one of many factors that determine the design pressure on a structure. The design and location of the structure can have a great effect on the loads placed on the garage door. Consult a registered architect or structural engineer to determine what design pressure is appropriate for your application.

³ Options available on select models.

• Wind load drawings available upon request.

SP - Standard panel windows, LP - Long panel windows

Courtyard Collection[®]

Thermacore[®] insulation

Foamed-in-place, CFC-free polyurethane insulation with Thermacore[®] construction provides an R-value of up to 12.76 and U-factor up to 0.24.



In-between-section thermal seals

With an air infiltration rating as low as .08 cfm, these seals help to provide superior resistance to the elements.



Weather resistant

Wood grain textured trim boards are resistant to dents and the elements.

	370 Series	160 Series
Wood grain trim	●	●
Color matched trim		●
Warranty	20-year limited	Limited lifetime
Polyurethane insulation	●	●
R-value ⁴	9.3	12.76
U-factor ⁵	0.24	0.24
Overlay thickness	3/8"	3/4"
Door thickness	1"	1 3/8"
Commercial track	optional	●
Residential track	●	
Ball bearing rollers with nylon wheels	●	●

⁴ R-value: The higher the R-value, the greater the insulating properties.

⁵ U-factor: A tested value of actual energy loss - of an installed door, wall, or window assembly.

Carriage House Collection

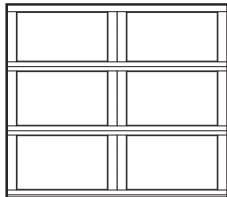
Design, thermal performance and durability

The look of wood carriage style swing doors with varied design options, thermal performance and the durability of steel to protect against the elements of extreme weather conditions.

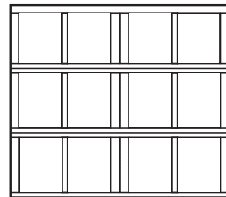
Panel style

Three-section styling on 7' high doors (shown below) gives a custom design look. Our 8' high doors have four-section styling. Models are available with or without windows and with square or arched tops. Square tops are shown.

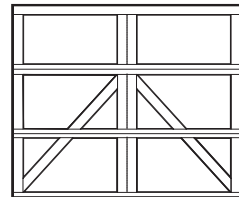
Model 301



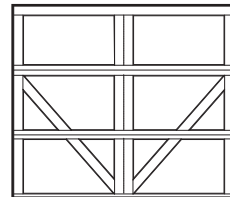
Model 302



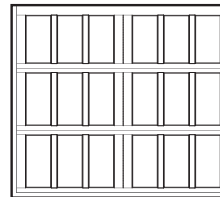
Model 303



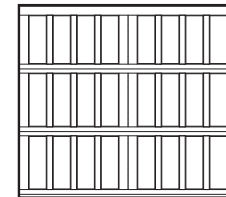
Model 304



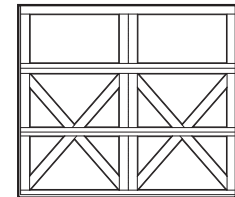
Model 307



Model 308



Model 309



Finishes

Actual door colors may vary slightly from brochure photos due to fluctuations in staining or the printing process.

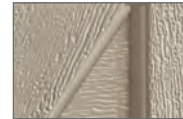
Painted finishes White color is standard. All other colors are an optional upgrade.



White



Gray



Clay



Green

Two-toned painted finishes The trim boards are white (standard).



Gray/White



Clay/White



Green/White

Stained finishes



Mahogany



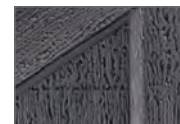
Walnut



Oak



Green



Gray



Clay



Honduran Mahogany



Red Oak

Window style

Arched windows are also available. See brochure for full line of window options.

Contact your Overhead Door Distributor to determine window availability and your local building official for code requirements. Insulated windows available.



1 Plain Window Square



6 Window Square



8 Window Square



12 Window Square



16 Window Square

2 Plain Window Square

12 Window Square

16 Window Square

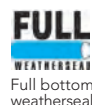
24 Window Square

32 Window Square

- 1 Windows for single car doors.
- 2 Windows for double car doors.

Decorative hardware

For specific hardware details please see page 26.



Full bottom weatherseal



R-Value up to 10



Up to a limited lifetime warranty



Building code/agency requirements

Exposure B	Door width up to	Wind speeds/Design pressures MPH ¹ /MPH ² /PSF design pressure	Impact resistant	Glass available	
				Standard	Impact
300 Series Doors available up to 8' tall	9'	90 -165 mph ¹ / 115 - 215 mph² (+12.80/-14.80) - (+45.30/-51.20)	No	LP ³	No
	10'	90 -160 mph ¹ / 115 - 205 mph² (+12.80/-14.80) - (+41.00/-46.30)	No	LP ³	No
	16'	90 - 160 mph ¹ / 115 - 205 mph² (+12.40/-13.80) - (+39.20/-43.70)	No	LP ³	No
	18'	110 - 140 mph ¹ / 140 - 180 mph² (+18.50/-20.70) - (+30.00/-33.50)	No	LP ³	No

¹ Above wind speeds based on ASCE 7-05 are applicable for enclosed structures with an importance factor of 1.0, mean roof height of 30', and assume a maximum of 2' of the door is located within the end zone of a structure. The above wind speeds listed as a guide only. Wind speed is only one of many factors that determine the design pressure on a structure. The design and location of the structure can have a great effect on the loads placed on the garage door. Consult a registered architect or structural engineer to determine what design pressure is appropriate for your application.

² Above wind speeds based on ASCE 7-10 Category II structure with a mean roof height of 30' and a maximum of 2' of the door is located within the end zone of a structure. The above wind speeds listed as a guide only. Wind speed is only one of many factors that determine the design pressure on a structure. The design and location of the structure can have a great effect on the loads placed on the garage door. Consult a registered architect or structural engineer to determine what design pressure is appropriate for your application.

³ Options available on select models.

• Wind load drawings available upon request.

LP - Long panel windows

Carriage House Collection



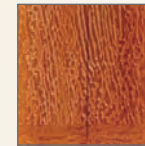
Polyurethane insulation

Provides thermal efficiency with an R-value* of 10.



Bulb seal

Protects against the elements.



Embossed wood grain texture

Adds beauty, sophistication and durability.

Durable finish

Hot-dipped galvanized steel with two coats of baked-on polyester paint.

*Overhead Door Corporation uses a calculated door section R-value for our insulated doors.



Model 301 8' high, Clay/White finish

Durafirm Collection®

Rugged garage doors

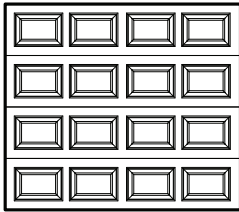
With their rugged, thick vinyl skin, Durafirm Collection® 870 Series doors provide incredible strength and durability which makes this door an ideal choice for extreme weather conditions.

Panel style

Doors are available in 7' or 8' height. Shown in 7'.

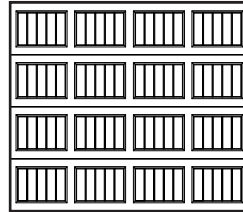
Model 870

Standard (S)



Model 872

V5 (V)



Model 872 7' high, V5 panel, Glacier White finish, Clear windows

Color

Doors are available in four standard colors.



Glacier White



Cape Cod Gray



Monterey Sand



Adobe Cream

Window style

Contact your Overhead Door Distributor to determine window availability and your local building official for code requirements. Insulated windows are available.



Clear



Cathedral



Ruston



Stockton



Sunburst



Sunburst 4



Sunburst 8

Decorative hardware

For specific hardware details please see page 26.



Model 872 7' high, V5 panel, Adobe Cream finish, Stockton windows



Durafirm Collection®

Bonded steel, polyurethane and vinyl

They provide incredible strength, impressive sound absorption and energy efficiency with an R-value* of up to 11.75.

Deep raised panels

Rich wood grain texture for the timeless look of freshly painted hardwood. Available in standard panel style only.

Through-and-through color PVC construction

The color goes all the way through the exterior vinyl skin so scratches are minimized.

UV-resistant resin

Contains special polymers that protect your door from the sun's harmful ultraviolet rays.

Twin structural struts

22-gauge steel C-channels run the full length of each panel and are anchored to interior steel stiles for strength.

*Overhead Door Corporation uses a calculated door section R-value for our insulated doors.

Building code/agency requirements

Exposure B	Door width up to	Wind speeds/Design pressures MPH ¹ /MPH ² /PSF design pressure	Impact resistant	Glass available	
				Standard	Impact
870 Series Doors available up to 14' tall	9'	120-160 mph ¹ /150-200+ mph ² (+22.90/-26.30) - (+41.60/-46.30)	No	SP	No
	16'	120-165 mph ¹ /150-200 mph ² (+23.00/-25.00) - (+43.40/-48.40)	No	SP ³	No
	18'	110-160 mph ¹ /140-200 mph ² (+18.50/-20.70) - (+39.20/-43.70)	No	SP ³	No

¹ Above wind speeds based on ASCE 7-05 are applicable for enclosed structures with an importance factor of 1.0, mean roof height of 30', and assume a maximum of 2' of the door is located within the end zone of a structure. The above wind speeds listed as a guide only. Wind speed is only one of many factors that determine the design pressure on a structure. The design and location of the structure can have a great effect on the loads placed on the garage door. Consult a registered architect or structural engineer to determine what design pressure is appropriate for your application.

² Above wind speeds based on ASCE 7-10 Category II structure with a mean roof height of 30' and a maximum of 2' of the door is located within the end zone of a structure. The above wind speeds listed as a guide only. Wind speed is only one of many factors that determine the design pressure on a structure. The design and location of the structure can have a great effect on the loads placed on the garage door. Consult a registered architect or structural engineer to determine what design pressure is appropriate for your application.

³ Options available on select models.

• Wind load drawings available upon request.

SP - Standard panel windows, LP - Long panel windows



Model 870 7' high, Standard panel, Glacier White finish, Ruston windows

Impression Collection®

Beautiful exterior. Durable interior.

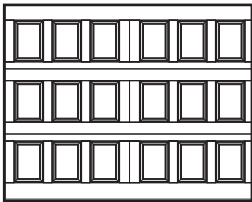
Impression Collection® doors have been magnificently engineered with an artfully molded wood grain fiberglass surface concealing durable steel construction. This door's unique fiberglass exterior offers you a low maintenance option with the beauty of wood to enhance the curb appeal of your home.

Panel style

Three-section styling on 7' high doors gives a custom design look. Our 8' high doors have four-section styling. All panels have white finished interiors with matching, low-profile hinges.

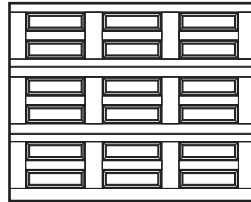
Model 981

Vertical Raised



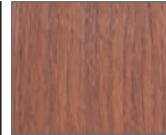
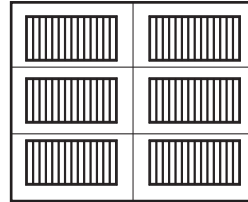
Model 982

Horizontal Raised



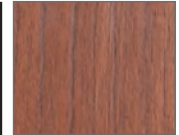
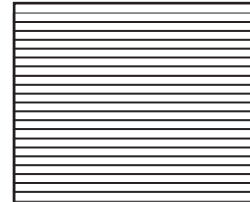
Model 983*

Vertical Slat



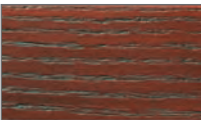
Model 984

Horizontal V-groove

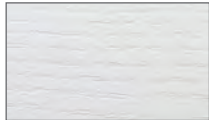


Color

Stain colors shown below on oak wood grain pattern. Actual door colors may vary slightly from brochure photos due to fluctuations in staining or the printing process.



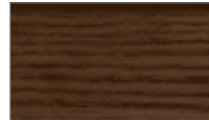
Cherry



White



Mahogany



Walnut



Oak



Green



Gray



Clay



Honduran Mahogany



Red Oak

Window style

Contact your Overhead Door Distributor to determine window availability and your local building official for code requirements. Insulated windows are available.



For Horizontal Raised panel



For Vertical Raised panel

*No windows available for Model 983

Decorative hardware

For specific hardware details please see page 26.

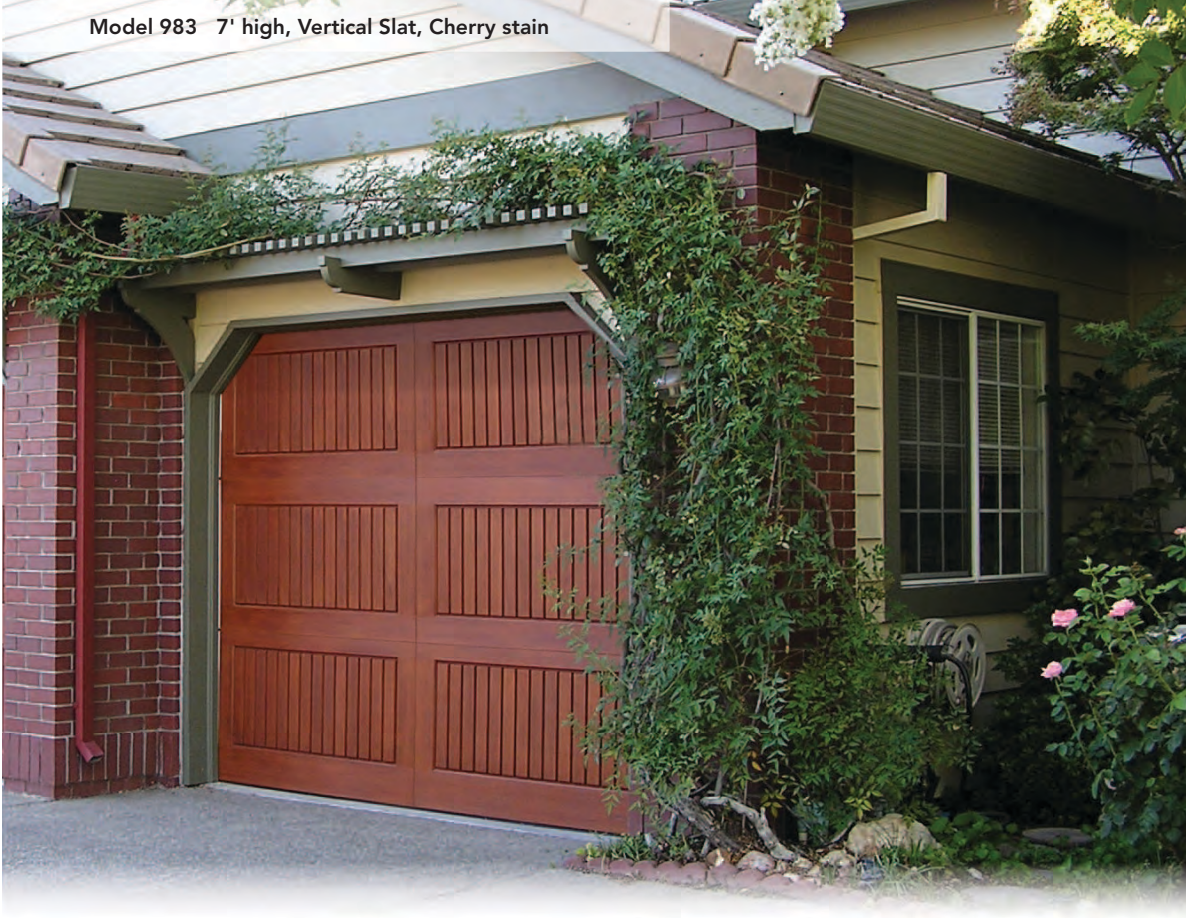
Therma-Tru is a registered trademark and AccuGrain is a trademark of Therma-Tru Corporation.



Up to a limited lifetime warranty on steel backing



Up to a limited 3-year warranty on fiberglass exterior



Impression Collection®

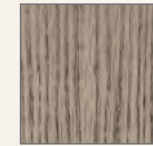
Foamed-in-place polyurethane insulation

R-value* of 7.6 helps control costly heat loss and gain. This type of insulation can diminish street noise and provides for quieter door operation.

Designed with award-winning safety and technology features including pinch-resistant door panels.

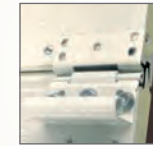
Bulb-type bottom weatherseal

It guards against wind and rain while providing a cushion when closing.



Fiberglass exterior

Utilizes Therma-Tru™ AccuGrain™ technology for the beauty of wood without the maintenance.



Factory installed

powder-coated hardware
Ensures proper alignment and smoother operation with a clean interior appearance.

*Overhead Door Corporation uses a calculated door section R-value for our insulated doors.

Building code/agency requirements

Exposure B	Door width up to	Wind speeds/Design pressures MPH ¹ /MPH ² /PSF design pressure	Impact resistant	Glass available	
				Standard	Impact
980 Series Doors available up to 10' tall	9'	120-160 mph ¹ / 150-200 mph² (+22.90/-26.30) - (+41.00/-46.30)	No	SP	No
	16'	100-150 mph ¹ / 120-190 mph² (+15.30/-17.00) - (+34.40/-38.30)	No	SP	No

¹ Above wind speeds based on ASCE 7-05 are applicable for enclosed structures with an importance factor of 1.0, mean roof height of 30', and assume a maximum of 2' of the door is located within the end zone of a structure. The above wind speeds listed as a guide only. Wind speed is only one of many factors that determine the design pressure on a structure. The design and location of the structure can have a great effect on the loads placed on the garage door. Consult a registered architect or structural engineer to determine what design pressure is appropriate for your application.

² Above wind speeds based on ASCE 7-10 Category II structure with a mean roof height of 30' and a maximum of 2' of the door is located within the end zone of a structure. The above wind speeds listed as a guide only. Wind speed is only one of many factors that determine the design pressure on a structure. The design and location of the structure can have a great effect on the loads placed on the garage door. Consult a registered architect or structural engineer to determine what design pressure is appropriate for your application.

- Wind load drawings available upon request.
- Vertical Slat design cannot be used on post doors and cannot have windows.

SP - Standard panel windows, LP - Long panel windows



Model 982 7' high, Horizontal Raised panel, Cherry stain with window panel

Modern Aluminum Collection

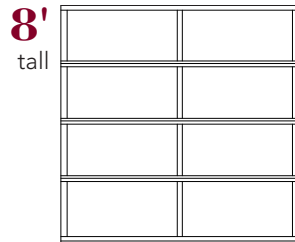
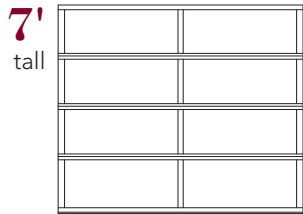
Sleek, sophisticated garage doors

The Modern Aluminum Collection combines glass and aluminum for unparalleled visual appeal, strength and light infiltration. It's a unique solution for your extraordinary home.

Frame option

The height and width of the door is fully customizable. Door sizes up to 26'. Section height varies dependent on door height.

Model 521 Heavy duty frame



Color

Anodized finishes

Clear anodized finish comes standard. Dark bronze and black anodized finishes are also available. To add further distinction, solid aluminum panels are available.



Clear



Dark Bronze



Black

Powder coat finishes

Select from 197 powder coat color options to best match your home.

Actual color may vary slightly from brochure due to fluctuations in printing process. Color samples are available by request through your local Overhead Door Distributor.

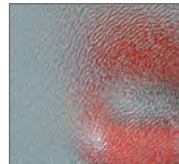


Glass type

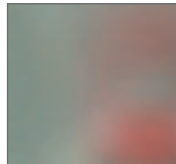
Double Strength (DSB) glass comes standard. In addition we offer an array of choices to complement your home. Insulated glass available.



Clear Double Strength (DSB)



Obscure



Satin Etched

Specialty Glass

- Laminated White – privacy
- Low E Glass* – thermal efficiency
- Tempered Glass – enhanced safety
- Tinted Glass* – color options: Green, Grey, Bronze

* Insulated options available

Glass alternatives

- Clear polycarbonate* – shatter resistant
- Multi-wall polycarbonate – superior strength with UV protection; color options: Clear, White, Bronze
- Acrylic* – shatter resistant



Up to a limited 1-year warranty



Modern Aluminum Collection

Between section seals

Offer additional weather-resistance.

Commercial-grade aluminum frame

Low-maintenance and corrosion resistant.

Design flexibility

Available in a variety of vertical rail widths and horizontal stile widths to complement the style of your home.

Stylish hardware

Hinges and fixtures are galvanized to maintain a contemporary look.

Building code/agency requirements

Exposure B	Door width up to	Wind speeds/Design pressures MPH ¹ /MPH ² /PSF design pressure	Impact resistant	Glass available	
				Standard	Impact
Model 521 Doors available up to 18' tall	10' 2"	150 mph ¹ /200+ mph ² (+50.00/-50.00)	No	Yes	No
	14' 2"	150 mph ¹ /180 mph ² (+37.00/-37.00)	No	Yes	No
	16' 2"	140 mph ¹ /170 mph ² (+31.00/-31.00)	No	Yes	No
	18' 2"	130 mph ¹ /150 mph ² (+26.00/-26.00)	No	Yes	No
	20' 2"	120 mph ¹ /140 mph ² (+22.00/-22.00)	No	Yes	No
	22' 2"	110 mph ¹ /130 mph ² (+18.00/-18.00)	No	Yes	No

¹ Above wind speeds based on ASCE 7-05 are applicable for enclosed structures with an importance factor of 1.0, mean roof height of 30', and assume a maximum of 2' of the door is located within the end zone of a structure. The above wind speeds listed as a guide only. Wind speed is only one of many factors that determine the design pressure on a structure. The design and location of the structure can have a great effect on the loads placed on the garage door. Consult a registered architect or structural engineer to determine what design pressure is appropriate for your application.

² Above wind speeds based on ASCE 7-10 Category II structure with a mean roof height of 30' and a maximum of 2' of the door is located within the end zone of a structure. The above wind speeds listed as a guide only. Wind speed is only one of many factors that determine the design pressure on a structure. The design and location of the structure can have a great effect on the loads placed on the garage door. Consult a registered architect or structural engineer to determine what design pressure is appropriate for your application.



Signature® Carriage Collection

Premium wood garage doors

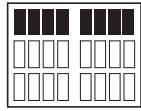
Signature® Carriage Collection doors combine the classic swing-open appearance and detailing of carriage house wood doors with the convenience of sectional garage doors. The wood construction and finger jointed rail and stile frame design add strength to withstand extreme weather conditions.

Panel style

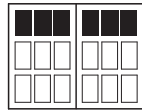
Doors provided in unfinished, stain-grade or paint-grade wood. Models are available with or without windows and with square or arched tops. Square tops are shown.

Parson Collection

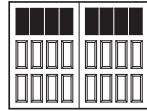
Drake Narrow
(570 D Narrow)



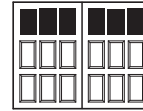
Drake Wide
(570 D Wide)



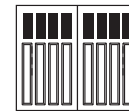
Kingston Narrow
(571 Narrow)



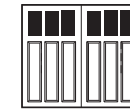
Kingston Wide
(571 Wide)



Holden Narrow
(581 Narrow)

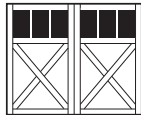


Holden Wide
(581 Wide)

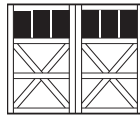


Ponderosa Collection

Buchanan (i)
(580 B)



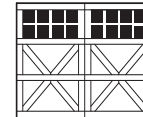
Dakota (i)
(580 D)



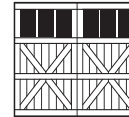
Sierra (i)
(580 S)



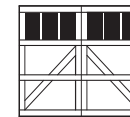
Austin
(570 A)



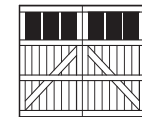
Austin Grooved
(570 A)



Baxter
(570 B)

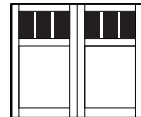


Baxter Grooved
(570 B)

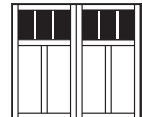


Villa Madre Collection

Ortega (i)
(580 Base)



Medina (i)
(580 M)



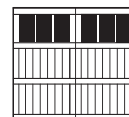
Pizarro (i)
(580 P)



Cruz (i)
(580 C)

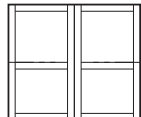


Castille Grooved
(570 C)

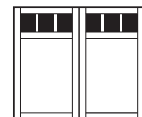


Heirloom Collection

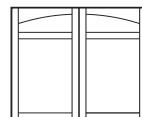
Raleigh (i)
(560)



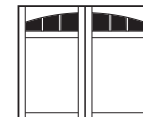
Garrison (i)
(561)



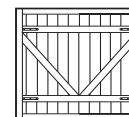
Jaxon (i)
(562)



Knox (i)
(563)



York (i)
(564)



(i) - insulated

Window style

For the full selection of windows for Signature® Carriage Collection doors please see page 25.

Contact your Overhead Door Distributor to determine window availability and your local building official for code requirements.

Decorative hardware

For specific hardware details please see page 26.

Wood options

Not all wood options are available for each model. Contact your Overhead Door Distributor for specific information.



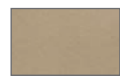
Smooth/
Rough-
sawn
Hardboard



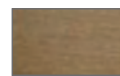
Smooth/
Rough-
sawn
Plywood



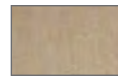
T1-11
Plywood
(STD)



Luan
Plywood



MDO



Hemlock



Spanish
Cedar



Meranti
Mahogany



Western
Red
Cedar



Knotty
Cedar



African
Mahogany



Douglas
Fir



Full bottom
weatherseal



R-Value
up to 4.75



Up to a limited
1-year warranty



Building code/agency requirements

Exposure B	Door width up to	Wind speeds/Design pressures MPH ¹ /MPH ² /PSF design pressure	Impact resistant	Glass available	
				Standard	Impact
560 Series Doors available up to 8' tall	9'	130 mph ¹ /NA mph ² (+32.00/-32.00)	No	SP	No
	16'	110 - 140 mph ¹ /NA mph ² (+20.60/-20.60) - (+36.00/-36.00)	No	SP	No
570 Series Doors available up to 8' tall	9'	140 mph ¹ /NA mph ² (+31.20/-35.80)	No	SP	No
	16'	120 mph ¹ /NA mph ² (+23.00/-25.00)	No	SP	No
	18'	100 mph ¹ /NA mph ² (+15.30/-17.00)	No	SP	No
580 Series Doors available up to 12' tall	9'	130 -140 mph ¹ /NA mph ² (+31.20/-35.80) - (+32.00/-32.00)	No	SP	No
	16'	120 mph ¹ /NA mph ² (+23.00/-25.00)	No	SP	No
	18'	100 mph ¹ /NA mph ² (+15.30/-17.00)	No	SP	No

¹ Above wind speeds based on ASCE 7-05 are applicable for enclosed structures with an importance factor of 1.0, mean roof height of 30', and assume a maximum of 2' of the door is located within the end zone of a structure. The above wind speeds listed as a guide only. Wind speed is only one of many factors that determine the design pressure on a structure. The design and location of the structure can have a great effect on the loads placed on the garage door. Consult a registered architect or structural engineer to determine what design pressure is appropriate for your application.

² Above wind speeds based on ASCE 7-10 Category II structure with a mean roof height of 30' and a maximum of 2' of the door is located within the end zone of a structure. The above wind speeds listed as a guide only. Wind speed is only one of many factors that determine the design pressure on a structure. The design and location of the structure can have a great effect on the loads placed on the garage door. Consult a registered architect or structural engineer to determine what design pressure is appropriate for your application.

Signature[®] Carriage Collection

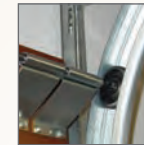
Multiple designs and wood species options let you choose the perfect complement to your home with our style, window and glass options.

World class construction of finger jointed rail and stile frame adds strength.

Polystyrene insulation can diminish street noise and provide quieter door operation. R-value* of 4.75 available for select models.



Heavy duty steel roller hinges for smooth operation and reliability.



Durable hardware and track, including steel ball bearing rollers for years of peak performance. (Nylon coated optional).

*Overhead Door Corporation uses a calculated door section R-value for our insulated doors.

Full custom door

Design your own beautiful wood garage door built to match the architectural style of your home.



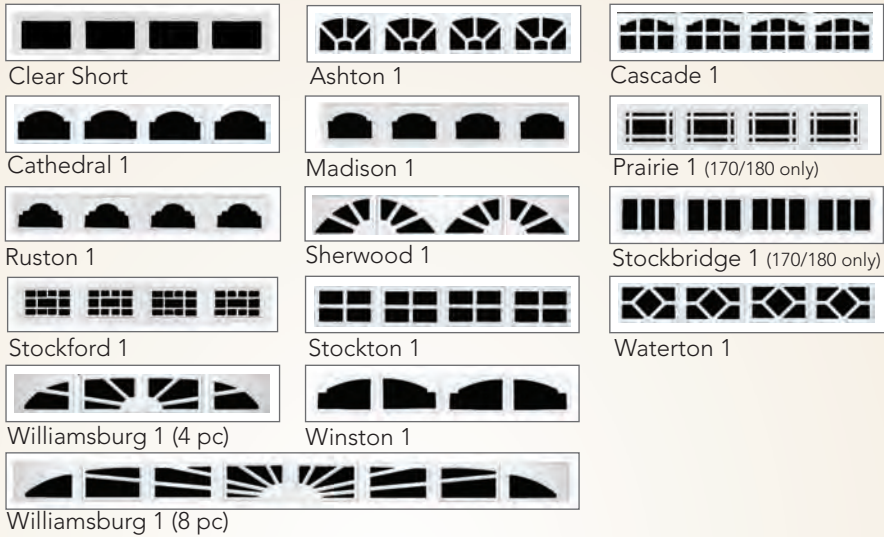
Contact your Overhead Door Distributor to determine window availability and your local building official for code requirements.

Windows

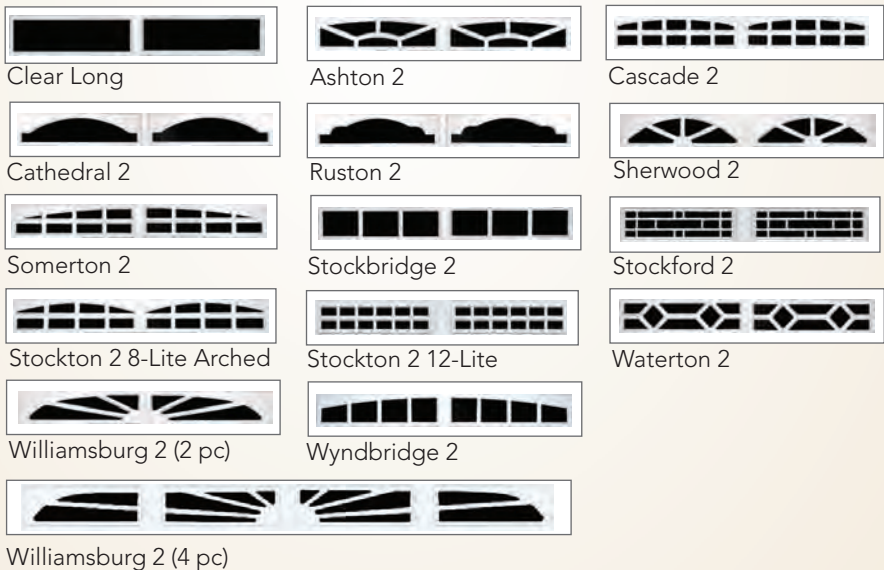
Traditional Steel and Thermacore® Collections

Window styles for Traditional Steel Collection

Available on **Standard panel and V5 panel, 170, 180 Series and Model 391** (impact and non-impact)



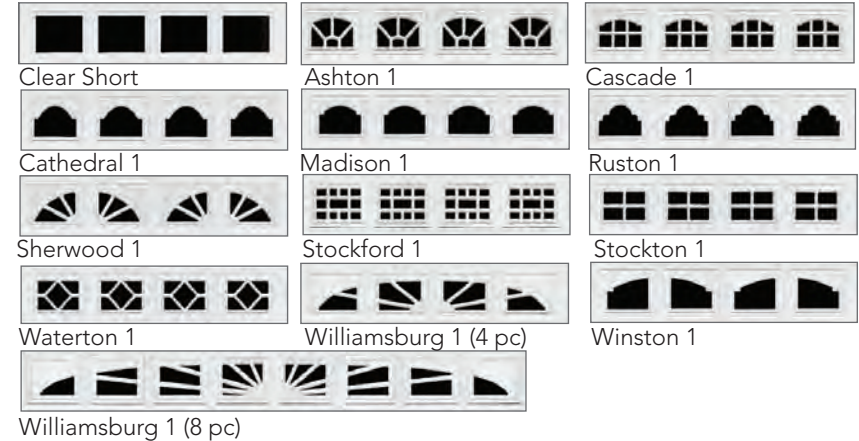
Available on **Long panel, Model 399 only** (non-impact only)



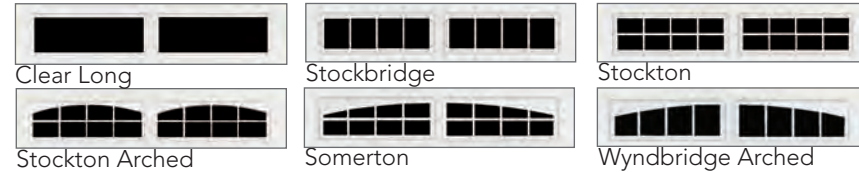
Insulated windows available on **390 Series**.

Window styles for Thermacore® Collection

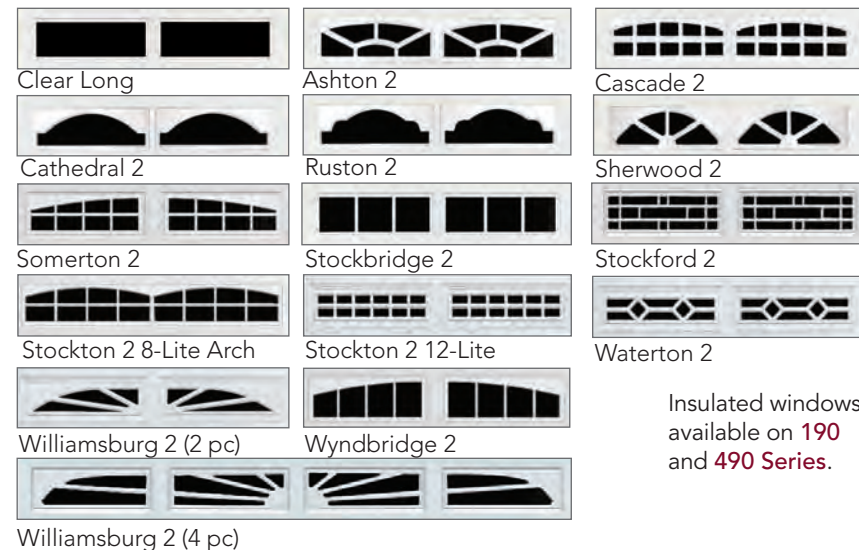
Available on **Standard, Flush and V5 panels** (impact and non-impact)



Carriage style window trim Available on **190 Series** (impact only)



Available on **Standard, Long, Flush and V5 panels** (non-impact only)



Insulated windows available on **190** and **490 Series**.

Windows

Contact your Overhead Door Distributor to determine window availability and your local building official for code requirements.

Signature® Carriage Collection

Window styles for Signature® Carriage Collection



3PS- Three Pane Square Top, Single



3PS- Three Pane Square Top, Double



3PA- Three Pane Arched Top, Single



3PA- Three Pane Arched Top, Double



4PS- Four Pane Square Top, Single



4PS- Four Pane Square Top, Double



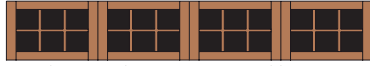
4PA- Four Pane Arched Top, Single



4PA- Four Pane Arched Top, Double



6PS- Three over Three Square Top, Single



6PS- Three over Three Square Top, Double



6PA- Three over Three Arched Top, Single



6PA- Three over Three Arched Top, Double



8PS- Four over Four Square Top, Single



8PS- Four over Four Square Top, Double



8PA- Four over Four Arched Top, Single



8PA- Four over Four Arched Top, Double



2PS- Two Pane Square Top, Single



2PS- Two Pane Square Top, Double



2PA- Two Pane Arched Top, Single



2PA- Two Pane Arched Top, Double



22S- Two over Two Square Top, Single



22S- Two over Two Square Top, Double



22A- Two over Two Arched Top, Single



22A- Two over Two Arched Top, Double



3PD- Three Pane Double Arched Top, Double



4PD- Four Pane Double Arched Top, Double



6PD- Three over Three Double Arched Top, Double



8PD- Four over Four Double Arched Top, Double



2PD- Two Pane Double Arched Top, Double

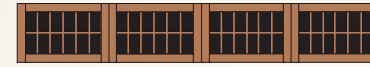


22D- Two over Two Double Arched Top, Double

Available on all except **Austin**, **Baxter** and **Castille** Models:



12S- Six over Six Pane Square Top, Single

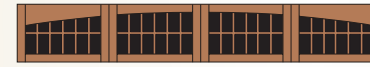


12S- Six over Six Pane Square Top, Double

Available on all except **Castille** Model:



12A- Six over Six Pane Arched Top, Single



12A- Six over Six Pane Arched Top, Double



12D- Six over Six Pane Double Arched Top, Double

For **Heirloom Collection**:

Windows are not available on **Raleigh**, **Jaxson** and **York** models.

Available windows for the **Garrison** and **Knox** models are shown on page 22.

Insulated windows available on **580 Series**.

Hardware

For style and strength

Decorative hardware

Further individualize your garage door with our distinctive decorative exterior handles and hinges. Available as optional accessories on our door collections. Not all hardware will fit all door sizes. Consult your local distributor for more information.

Premium Collection



Spade Design Hinge



Iron Studs



Heritage Hinge



Traditional Hammertone Handle



Bean Design Handle



Bean Design Hinge



Large Hammered Iron Handle



Traditional Hammertone Hinge

Value Collection



Spear Hinge (16" and 18" available)



Bean Hinge (16" only)



Small Spear Handle



Large Bean Handle



Large Spear Handle

Wind load hardware

Overhead Door WindStorm™ doors feature upgraded hardware to make your door stronger against wind storms. Depending on the wind load option selected, the upgraded hardware includes:

- 1 Horizontal reinforcement steel struts
- 2 Upgraded springs
- 3 Heavy-duty track
- 4 Heavy-duty rollers



Openers

Designed for performance



Destiny® 1500 Screw Drive

The ultimate in power, speed and convenience

- 1 HPc**** motor operates almost any garage door quickly and smoothly
- Opening speed of 12 inches per second
- DoorDetect™ monitoring system improves overall safety
- Motion detection activates lights
- Soft start and soft stop for less wear and tear on door system



Odyssey® 1200 Screw Drive

More power, speed and convenience

- 3/4 HPc*** PowerPlus motor operates almost any garage door quickly and smoothly
- Opening speed of 10 inches per second
- DoorDetect™ monitoring system improves overall safety
- Motion detection activates lights
- Soft start and soft stop for less wear and tear on door system



Destiny® 1200 Belt or Chain Drive

Power, speed and convenience

- 3/4 HPc*** PowerPlus motor operates almost any garage door quickly and smoothly
- Opening speed of 9 inches per second
- DoorDetect™ monitoring system improves overall safety
- Motion detection activates lights
- Soft start and soft stop for less wear and tear on door system

Odyssey® 1000 Belt or Chain Drive

Power and speed

- 3/4 HPc** motor operates almost any garage door quickly and smoothly
- Opening speed of 7.5 inches per second
- DoorDetect™ monitoring system improves overall safety
- Soft start and soft stop for less wear and tear on door system



Legacy® 800 Belt or Chain

Value, reliability and power

- 1/2 HPc†† Power Plus motor
- DC motor for quiet operation
- Dual-pinion drive gear system for extended durability



Standard Drive® Belt or Chain

Value and reliability

- 1/2 HPc† motor
- DC motor for quiet operation
- Dual drive chain system delivers reliable performance



† 1/2 Horsepower comparable (HPc) designates that this garage door opener meets Overhead Door's lifting force specifications for 1/2 horsepower garage door openers.

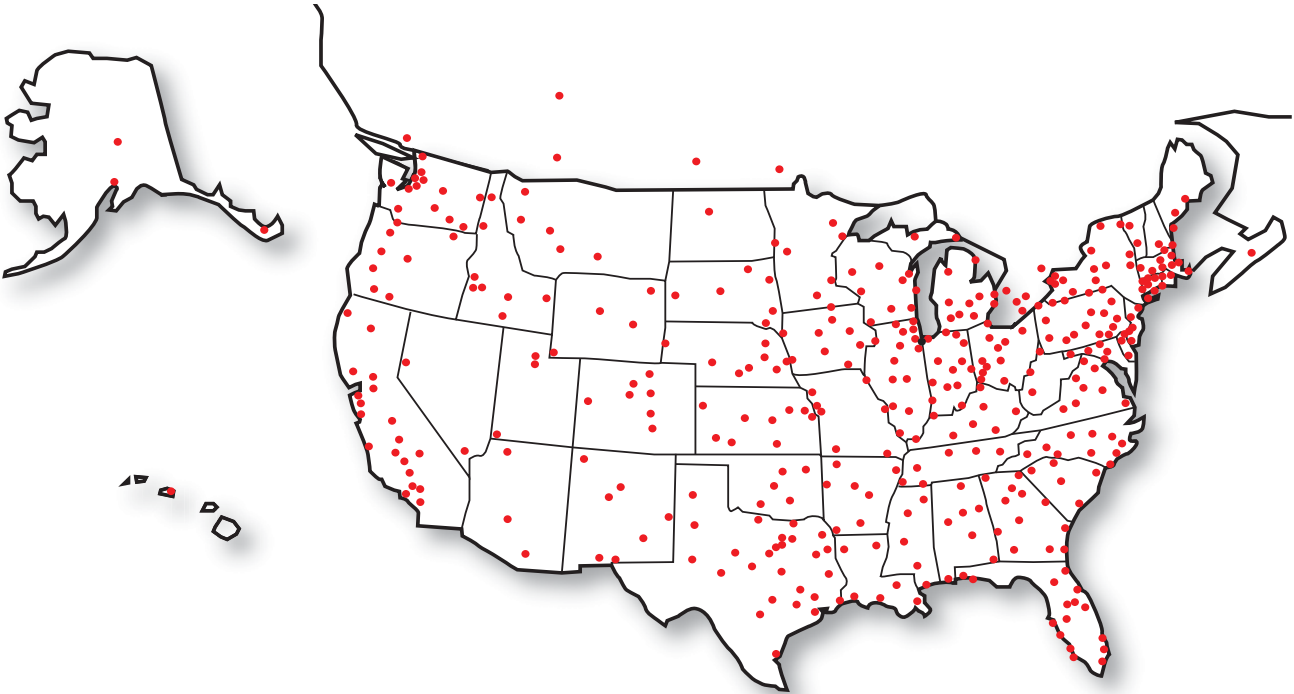
†† 1/2 Horsepower comparable (HPc) PowerPlus designates that this garage door opener exceeds Overhead Door's lifting force specifications for 1/2 horsepower garage door openers

** 3/4 Horsepower comparable (HPc) designates that this garage door opener meets Overhead Door's lifting force specifications for 3/4 HP garage door openers.

*** 3/4 Horsepower comparable (HPc) PowerPlus designates that this garage door opener exceeds Overhead Door's lifting force specifications for 3/4 HP garage door openers.

**** 1 Horsepower comparable (HPc) designates that this garage door opener meets Overhead Door's lifting force specifications for 1 HP garage door openers.

Nationwide distributor network



SOLD AND DISTRIBUTED BY:



The Genuine. The Original.



2501 S. State Hwy. 121 Bus., Suite 200, Lewisville, TX 75067
1-800-929-DOOR • sales@overheaddoor.com
www.OverheadDoor.com

©2013 Overhead Door Corporation. Overhead Door and the Ribbon logo are registered trademarks of Overhead Door Corporation. All other trademarks are the property of their rightful owners. Consistent with our policy of continuing product improvements, we reserve the right to change product specification without notice or obligations. R900-941 2M 10/13 JAR