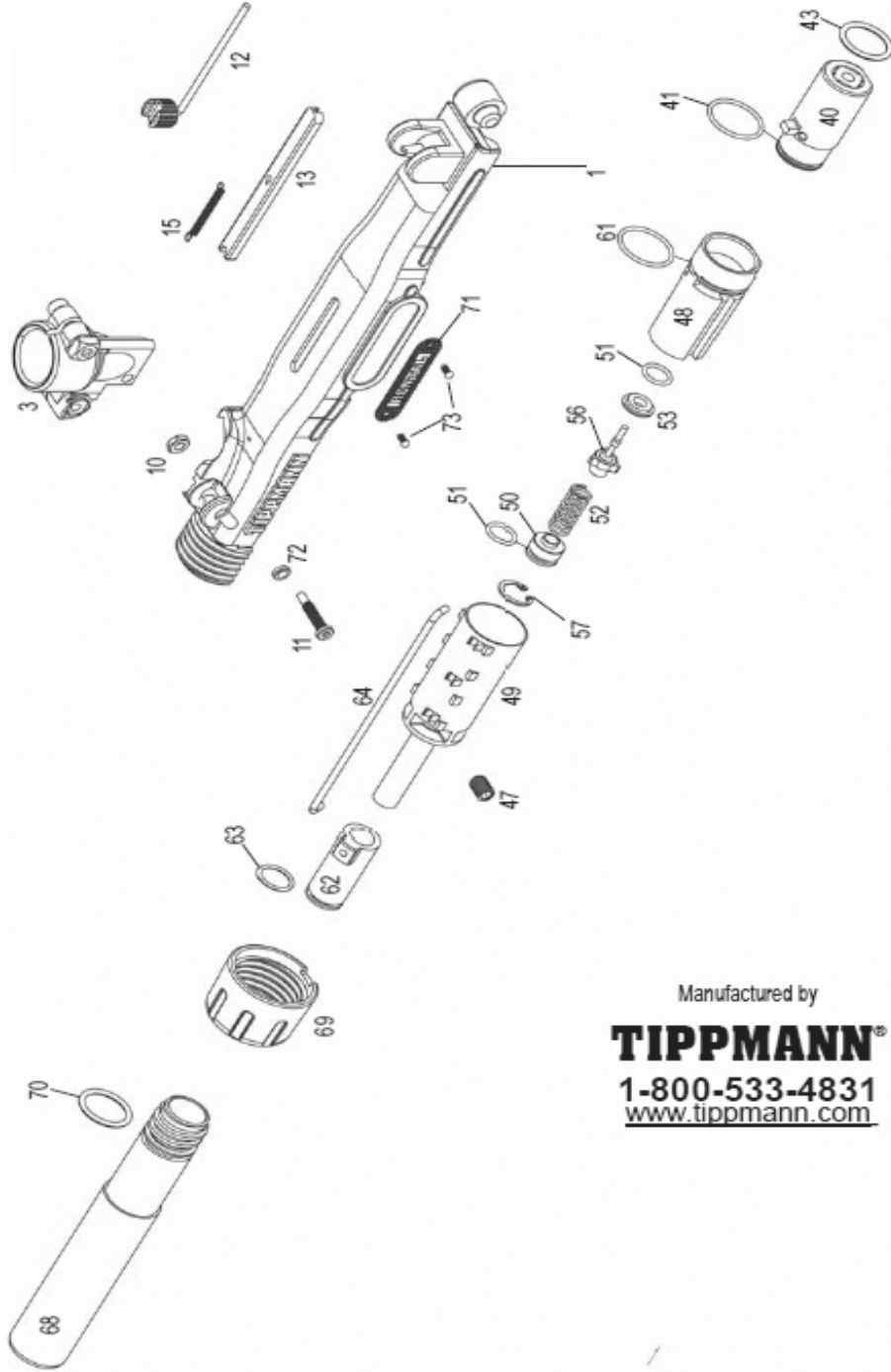
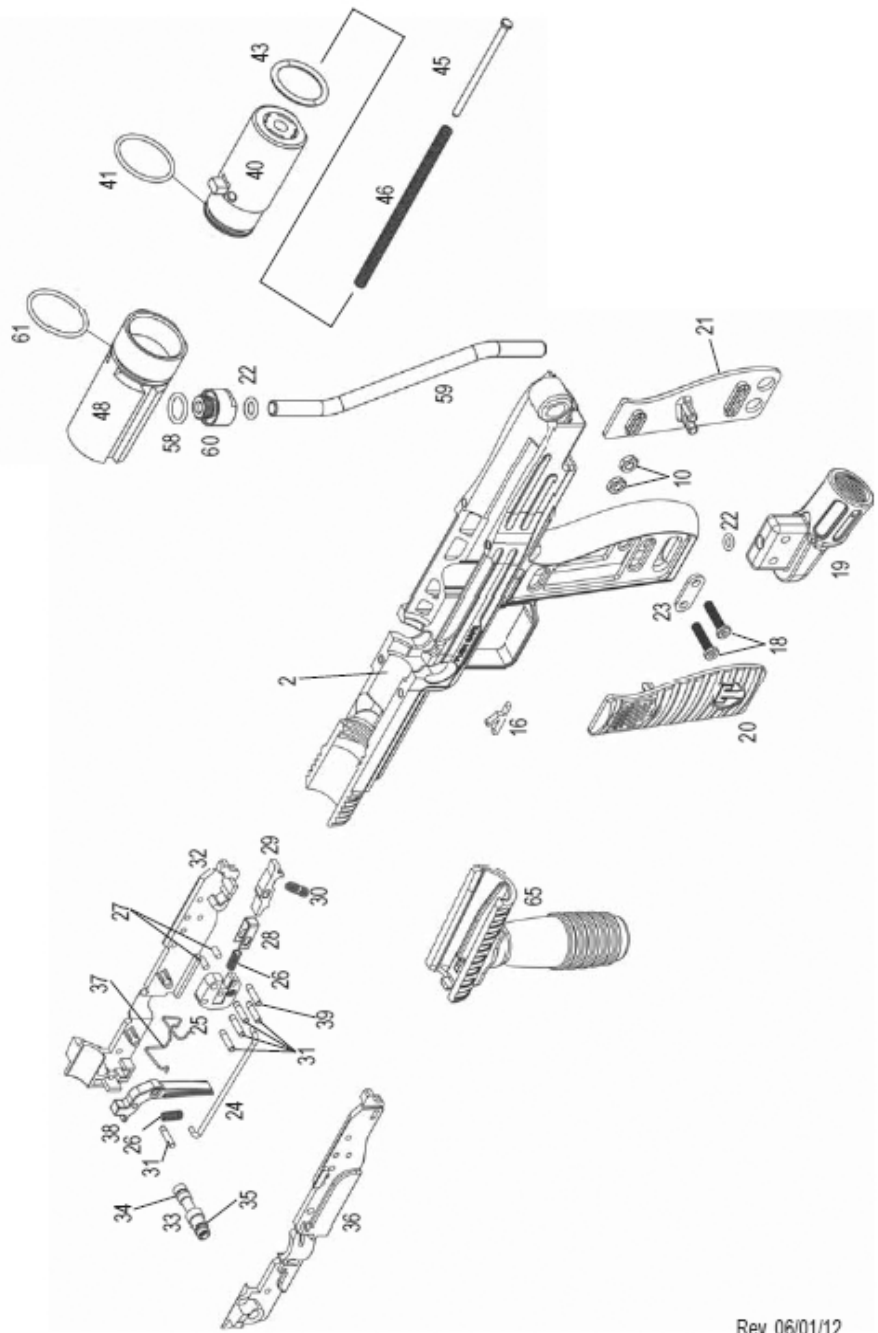


FT-12 Parts Diagram



Manufactured by
TIPPMANN®
 1-800-533-4831
www.tippmann.com

⚠ WARNING
 Do not disassemble this marker while it is pressurized with air/CO2.
 Do not pressurize a partially assembled marker.



Rev. 06/01/12

Parts List for FT-12 Marker

Item No.	Part No.	QTY	Description
1	TA45001	1	Top Receiver
2	TA45002	1	Bottom Receiver
3	TA45100	1	.68 Caliber Feed Neck - Assem.
	TA45003	1	Feed Tube .68 Caliber
	98-45	1	Washer, M6, Flat Black
	PL-42C	1	Screw, ¼-20x1" SHCS
	TA45004	1	Feed Tube Lock
	TA45005	1	Feed Tube C-clip
	TA45041	1	Feed Tube Spring
	TA45040	1	Ball, Steel
	PL-42D	1	Nut, ¼-20, Square, Black
10	9-PA	3	Hex Nut, 10-32, Black
11	TA45044	1	Screw, 10-32
12	TA45103	1	Cocking Knob Assembly
13	TA45007	1	Cover Plate
15	TA45009	1	Tensile Spring
16	FA-18	1	Ball Latch
18	TA45011	2	Air Supply Adapter (ASA) Screws
19	TA45012	1	Air Supply Adapter (ASA)
	TA45013	1	Grip Cover, Yellow, Left
20	TA45051	1	Grip Cover, Black, Left
	TA45014	1	Grip Cover, Yellow, Right
21	TA45052	1	Grip Cover, Black, Right
22	TA40017	2	O-Ring, Gas Line
23	TA45015	1	Plastic Washer, Double
Trigger Box Assembly - Complete TA45101			
24	TA45016	1	Trigger Link
25	TA40011	1	Trigger Adapter
26	98-20	2	Trigger Spring
27	98-19	2	Return Slide Dowel Pin
28	98-18	1	Trigger Return Slide
29	02-35	1	Sear
30	02-20	1	Sear Spring
31	TA45043	5	Trigger Pin
32	TA45017	1	Trigger Box, Right
36	TA45019	1	Trigger Box, Left
37	TA45020	1	Trigger Box Spring
38	TA45021	1	Trigger
39	TA45042	1	Sear Pin
33	TA45104	1	Safety Assembly (below)
Safety Assembly TA45104			
34	FA-07	1	Safety O-Ring, Black
35	98-55	1	Safety O-Ring, Red
40	TA45107	1	Rear Bolt Assembly
41	98-12A	1	O-Ring, Valve/Rear Bolt
43	98-40	1	O-Ring
45	CA-15	1	Guide Pin
46	CA-14	1	Spring
48	TA45024	1	Valve Body - See Valve Complete below
56	98-PL	1	Valve Stem
58	TA45031	1	O-Ring, Gas Line Joint
59	TA45032	1	Gas Line
60	TA45033	1	Gas Line Joint
61	TA45034	1	O-Ring, Valve Body (outside)
62	41687	1	Front Bolt
63	SL2-4	1	O-Ring, Front Bolt
64	TA01016	1	Linkage Arm
65	TA45105	1	Front Grip Assembly Complete
68	TA45038	1	Barrel
69	TA45039	1	Barrel Nut
70	98-40	1	O-Ring, Barrel
	TA45045	1	Name Plate (Rental)
71	TA45060	1	Name Plate (FT-12)
72	TA45046	1	Washer, Plastic
73	TA45047	2	Rivet
Valve Assembly TA45102			
47	41692	1	Set Screw, 5/16-24 x 7/16
49	TA45025	1	Power Tube
50	TA45026	1	Valve Plug
51	TA45027	2	O-Ring, Valve Body
52	98-32	1	Spring
53	TA45028	1	Front Valve Seat
57	TA45030	1	C-clip