

TO-8 Header "T8"

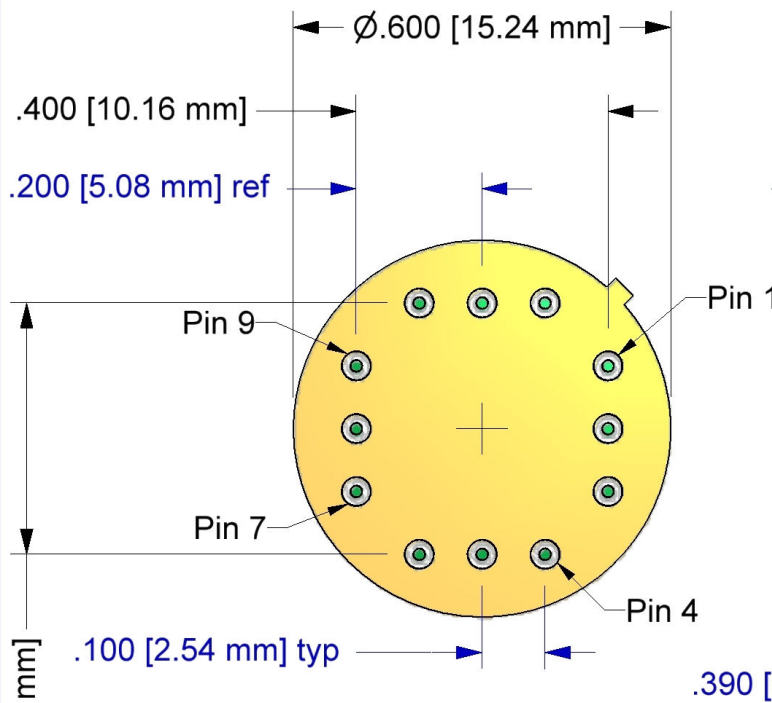


Figure 1.
Bottom View

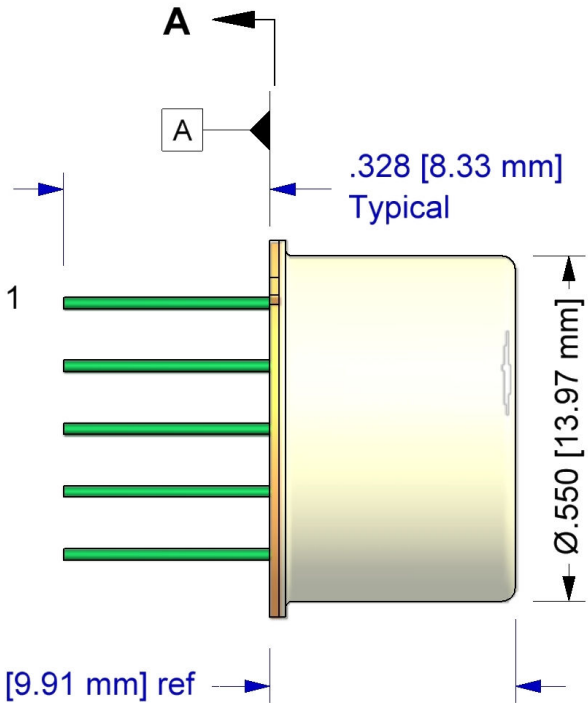
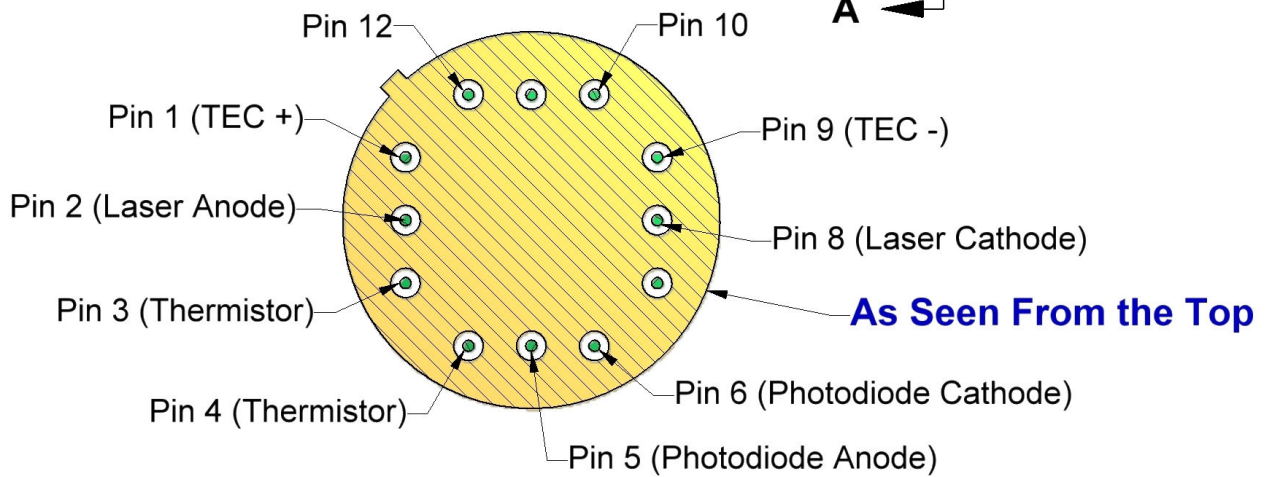


Figure 2.
Side View

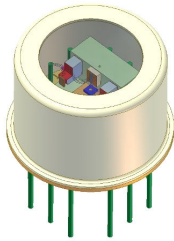


Top View
SECTION A-A

All dimensions are for reference only. Contact factory for details.

Module is not hermetic. Do not submerge in liquid.

PD-2475-AD1 - 01 | 6-13-2008

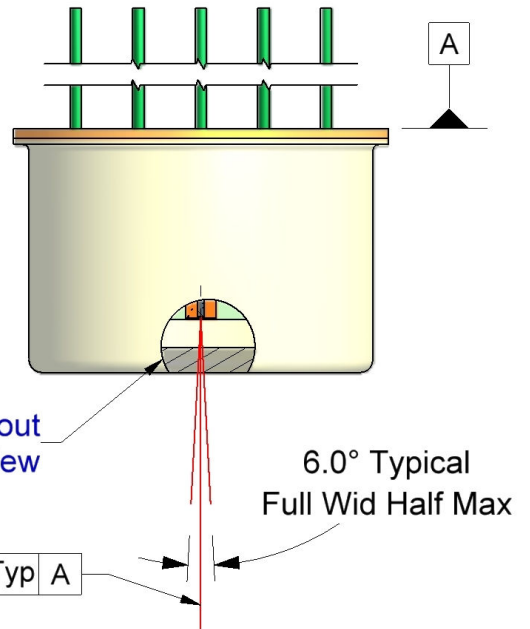


TO-8 Header "T8"

Pin	Device	Signal
1	TEC	Pos (+)
9	TEC	Neg (-)
2	Laser	Anode
8	Laser	Cathode
3	Thermistor	Bottom
4	Thermistor	Top
5	Photodiode	Anode
6	Photodiode	Cathode
7		Unused
10		Unused
11		Unused
12		Unused

12X $\varnothing.018$ [.46 mm] ref

Figure 3.
Side View



.301 [7.64 mm] approx.
Laser Facet

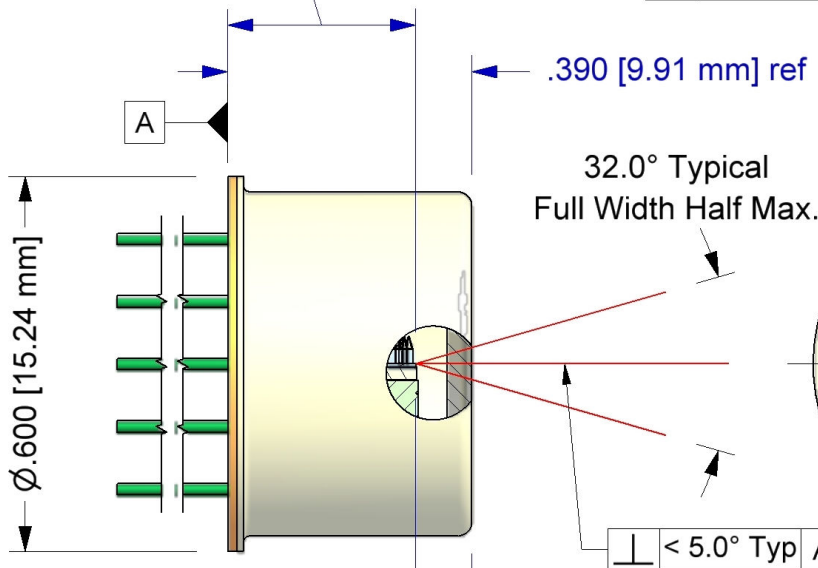


Figure 4.
Side View

$\varnothing.375$ [9.53 mm]
Approx Window Dia.

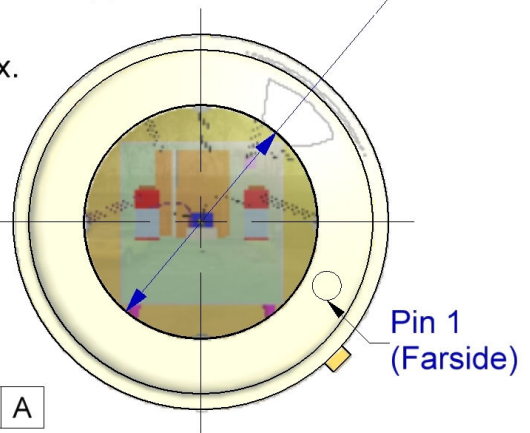


Figure 5.
Top View

PD-2475-AD1 - 01 6-13-2008