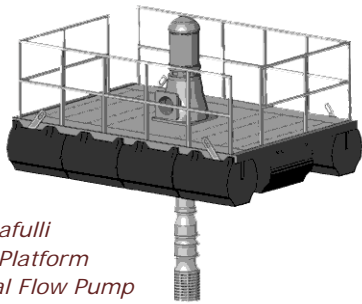


## SRS CRISAFULLI, INC.

Easy to Transport

Sensibly Priced

Incomparable Performance



*SRS Crisafulli  
Floating Platform  
with Axial Flow Pump*

SRS Crisafulli designs and manufactures custom, multi-purpose, floating platforms. SRS Crisafulli has offered floating solutions to a variety of industrial, municipal, and private firms which have required reliable, efficient means of supporting floating pumps, for maintenance platforms and recreational docks.

Infinite size and buoyancy combinations are available to meet your floating platform needs for any application.

SRS Crisafulli, Inc.,  
1610 Crisafulli Drive,  
P.O. Box 1051,  
Glendive, Montana 59330 - USA  
800-442-7867 Fax: 406-365-8088

E-mail: [srsc@crisafulli.com](mailto:srsc@crisafulli.com)

[www.crisafullipumps.com](http://www.crisafullipumps.com)  
[www.crisafulli.com](http://www.crisafulli.com)  
[www.dredge.net](http://www.dredge.net)

Floating platform with hinged walkway for access and maintenance after emptying a pond.



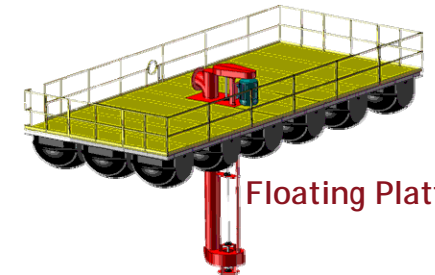
Floating platform built for an electric power generation plant to float a vertical turbine pump.

# SRS Crisafulli

*Dredges - Pumps - Power Units*



**Floating Pumps**



**Floating Platforms**

**Custom, Multi-Purpose...**

A floating solution to a variety of applications which require reliable, efficient means of supporting floating pumps.

**800-442-PUMP (7867)**

## SRS Crisafulli

Pumps · Dredges · Power Units · Custom or Standard

Manufacturers of  
Reliable SRS Crisafulli Products  
Supported by Superior Service

SRS Crisafulli, Inc.  
1610 Crisafulli Drive  
P.O. Box 1051  
Glendive, MT 59330-1051

406-365-3393  
800-442-7867  
FAX: 406-365-8088  
[SRSC@crisafulli.com](mailto:SRSC@crisafulli.com)

[www.crisafullipumps.com](http://www.crisafullipumps.com) & [www.dredge.net](http://www.dredge.net)

## FEATURES - ELECTRIC FLOATING PUMPS

Width	7' (standard) to 16'
Length	7' (standard) to 45'
Flowrate	100 to 18,000 U.S. GPM
Pressure	5' to 280' TDH
Pump	Bearing frame mounted
Materials of construction	A36 mild carbon steel (standard)
Pump discharge	150 lbs flanged sideout radial
Frame	A36 mild carbon steel with 4 channel iron beams, 2 channel iron cross beams, end caps, pump mount and 4 lifting lugs.
Motor	ODP, TEFC, explosion proof or chem. Duty (Please specify)
Power	230/460 volt, 3 phase, 60 cycle

## OPTIONAL FEATURES

Pump style	Cantilevered vertical
Flow rate	Up to 30,000 U.S. GPM
Decking	Expanded metal, bar grating (steel or fiberglass)
Handrailing	As per O.S.H.A. specs with toeplate and accessways
Controls	Control panels, float switches and control cable
Discharge pipe	Integral floating discharge pipeline
Cabling	Cable anchoring systems
Piping	Manifolds, valves, gauges, test lines

## COMMON APPLICATIONS

- Floating pump for top water removal -With SRS Crisafulli pump or customized to match other pump brands
- Maintenance work platform
- Machinery support



*SRS Crisafulli Floating Pump with Discharge Tubing*

## FEATURES:

- Integral lifting and mooring eyes
- Custom sizes and buoyancies
- Bolt together installation
- Highway transportable

## FLOATS:

- Poly pontoons, EPS foam filled
- Metal options: stainless steel, carbon steel, Aluminum

## STRUCTURAL MATERIALS:

- Stainless Steel
- Carbon Steel
- Aluminum
- Fiberglass

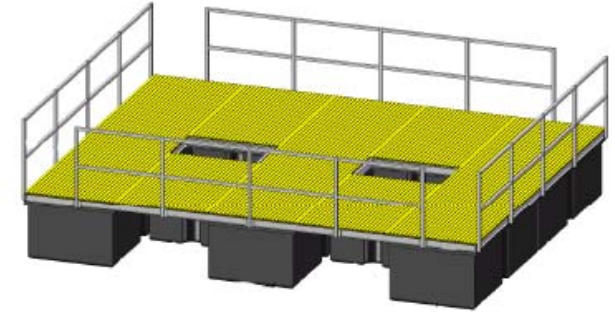
## ACCESSORIES:

- Gangways
- Floating walkways
- Handrails
- Hoist winch



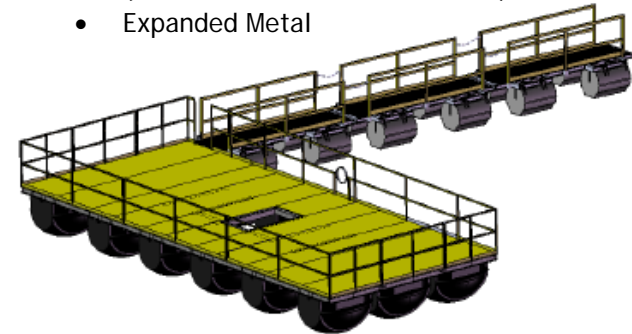
*SRS Crisafulli Floating Pump*

## CONSTRUCTION MATERIALS



## DECKING MATERIALS

- Tread Plate (Non skid options)
- Vinylester (Anti skid, UV resistant, slotted)
- Expanded Metal



## FLOATATION OPTIONS

