

# Nursery & Horticultural Equipment



ABN 75 002 149 804  
72-74 Mandoon Rd, GIRRAWEE NSW 2145 Australia

Phone: 02 9631 6000

Fax: 02 9688 4679

Web Site: [www.cmac.com.au](http://www.cmac.com.au)

Email: [sales@cmac.com.au](mailto:sales@cmac.com.au)

## Self-Tracking Trailers – Flat Pack, Standard & Deluxe

- Self-tracking trailers follow in the path of the prime mover.
- Manoeuvre a train of several trailers down narrow paths, around corners and through entrances of potting sheds

*Trays are galvanised and very robust.*

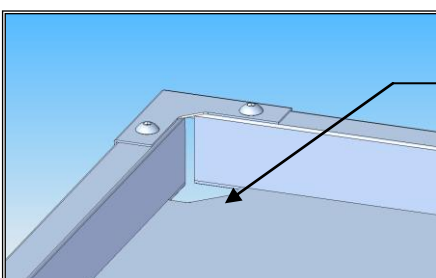
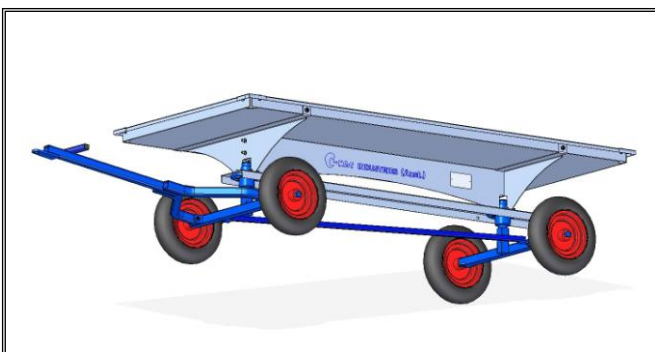
*C-Mac trailers have been in use in the nursery industry for over 25 years.*

### SPECIFICATIONS – Economy Flat Pack

- Tray Size 1,025mm wide x 50mm deep x 2,245mm long.
- Deck, 2 mm galvanised steel with drain holes in corners
- Deck height 575mm
- Trailer Weight - 118kg
- Capacity - 675kg
- Tyres 4" wide x 8" steel rim 4 ply
- Draw bar, full width to minimise mis-tracking
- Bearing pivot system
- Outside Turning Diameter 3.7m
- Overall wheel width 930mm

### SPECIFICATIONS - Standard

- Tray Size 1,220mm wide x 50mm deep x 2,440mm long.
- Deck, 2.5mm galvanised steel with drain holes in corners
- Deck height 575mm
- Trailer Weight - 125kg
- Capacity - 675kg
- Tyres 4" wide x 8" steel rim 4 ply
- Draw bar, full width to minimise mis-tracking
- Bearing pivot system
- Outside Turning Diameter 3.7m
- Overall wheel width 930mm

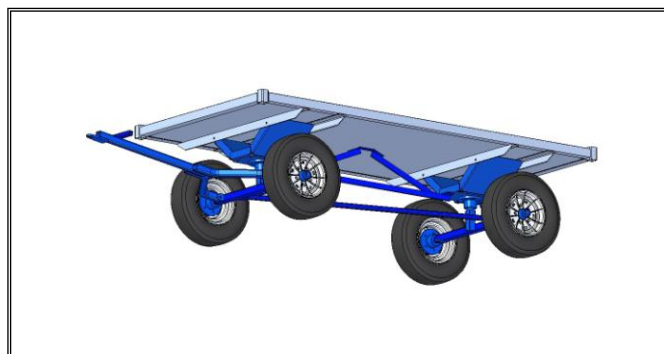


**Corners of deck cut off to allow drainage**



## SPECIFICATIONS - Deluxe

- Tray dimensions 1,220mm wide x 50mm deep x 2,440mm long.
- Deck, 3mm galvanised steel with drain holes in corners
- Deck height 620mm
- Trailer Weight – 155kg
- Capacity – 1,245kg
- Central support bar for straightening deck
- 4" wide x 10" alloy rim 6ply tyres, bearing hubs
- Bearing pivot system
- Outside turning dia 3.7m



## DOUBLE OR TRIPLE DECKS

- Double or triple the capacity of the self-tracking trailer.
- Deck heights are manufactured to your requirement.
- Interchangeable between Standard and Delux models

### SPECIFICATIONS:

- Removable 2mm galvanised steel deck with 50mm galvanised angle frame.
- Removable corner posts
- Weight - 55kg per deck.



## ADVANTAGES OF *e-MAC* TRAILERS

- Strong steel or alloy rims to carry heavy loads.
- Drawbars pull on full width, not from centre of axle.
- Unique pivoting system that doesn't need greasing or maintenance.
- Galvanised deck and frame. allows transport of potting media and can double as a potting bench.
- Corner sockets to allow fitting accessories.
- Solid decks prevent media falling through onto undercarriage, roadways and gravel beds.
  - ★ Minimises spreading of diseases when moving products or garden waste.
  - ★ Prevents the spread of growing media with fertiliser that promotes weeds.
  - ★ Prevents Fertiliser from falling onto the trailer's undercarriage & hence minimise s excessive rusting to the trailer.

## OTHER OPTIONS or SPECIALS can be made.

- Wire mesh decks
- Pot Rails
- Drop down sides
- Extra high sides
- Raised decks to allow trailers to be used as workbenches.