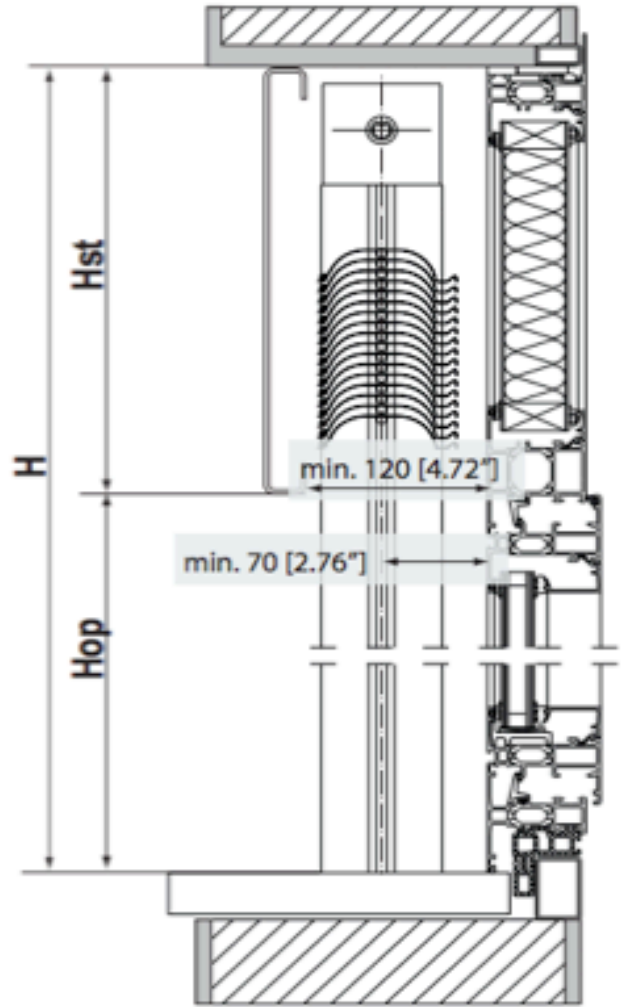


Exterior Engineered Shading Solution

MD 500



Aluminum Finishes



black



silver clear anodized

Features

- Motorized Control Only
- Max Width: 110"
- Max Height: 157"
- High wind resistance capacity
- Tensioned Slats
- Slats tilt in any position
- Optional Weather/Sun Sensor Available
- Custom Finish Available

InSyncSolar.com | [845.352.5064](tel:845.352.5064) | sam@insyncsolar.com