

Ideal for Food Processing OITs...Available in **Stainless Steel**

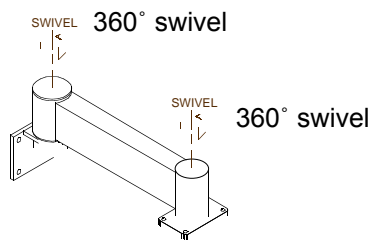
CABLEWAY ARMS



24" long wall mounted NEMA 4/12 Cableway Arm.

- Cable Passageway Through Arm
- Swivels at Both Ends
- Handles Up to 150 lb. Load
- Optional Extension Arm Configuration Provides In-Out Repositioning
- Available in NEMA 4X Stainless Steel

STRONGARM™ Cableway Arms™ provide a simple mounting solution for small to medium sized Operator Interface Enclosures. These arms can be attached to any horizontal or vertical surface such as walls, machinery, etc. or to a user supplied 3-1/2" OD pipe. Ideal applications are typically LCD (Flat Panel) based Operator Interface Enclosures used for machine control in food processing. Be sure to also consider STRONGARM's Vertica series arms that provide vertical adjustability.



Wall Mount Cableway Arm



24" long wall mounted NEMA 4X stainless steel Cableway Arm attached to a Flat Panel Enclosure.

SPECIFICATIONS

Range of Motion

360° swivel @ both ends
Additional 360° swivel w/ Extension Arm

Rotational Stops

One stop per swivel
Additional stops can be added

Load Capacity

400 ft. lb., 150 lb. total

Cable Passageway

Sealed passageway, minimum restriction 1.4" Ø

Material & NEMA Rating

Cast Aluminum: NEMA 4/12
Stainless Steel: NEMA 4X

Finish

Cast Aluminum: 2-part catalyzed polyurethane paint
Color, gray, textured

Stainless Steel: Glass bead, #4 brush optional

Size

Approx. 5" H x 3" W x (16" or 24") L

Mounting Styles

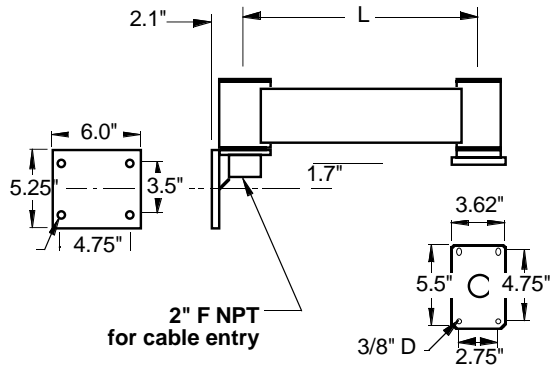
Wall Mount, Machine Top, and Post Top

Accessories

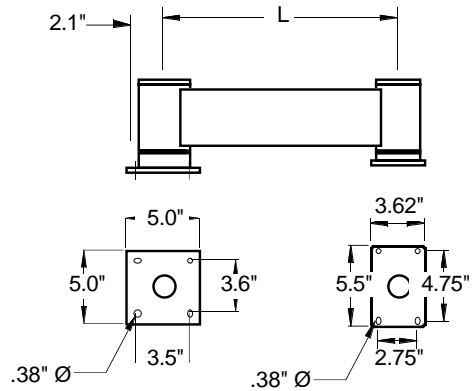
Extension Arms, Vertical Extensions, Floor Posts,
Short Posts, OIT Enclosures

STRONGARM

DIMENSIONS

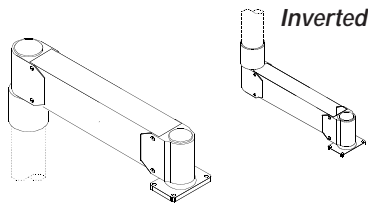


Wall Mounted Cableway Arms



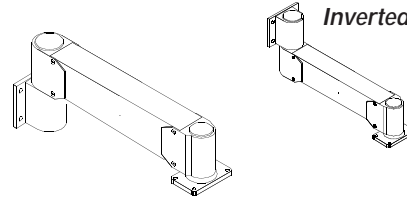
Machine Top Cableway Arms

ORDERING INFORMATION



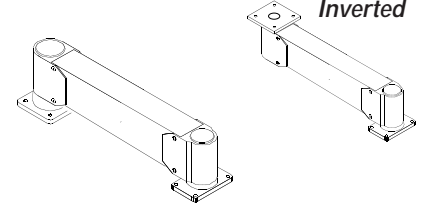
Post Top Cableway Arms

- #52-1016 16" Aluminum
- #52-1024 24" Aluminum
- #62-1016 16" Stainless steel
- #62-1024 24" Stainless steel
- Inverted:
- #52-1116 16" Aluminum
- #52-1124 24" Aluminum
- #62-1116 16" Stainless steel
- #62-1124 24" Stainless steel



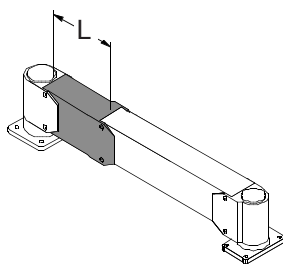
Wall Mounted Cableway Arms

- #52-2016 16" Aluminum
- #52-2024 24" Aluminum
- #62-2016 16" Stainless steel
- #62-2024 24" Stainless steel
- Inverted:
- #52-2116 16" Aluminum
- #52-2124 24" Aluminum
- #62-2116 16" Stainless steel
- #62-2124 24" Stainless steel



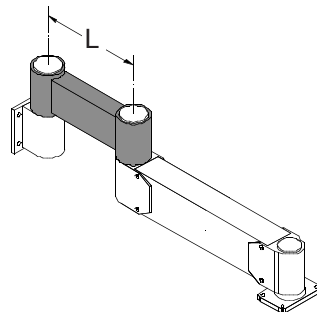
Machine Top Cableway Arms

- #52-3016 16" Aluminum
- #52-3024 24" Aluminum
- #62-3016 16" Stainless Steel
- #62-3024 24" Stainless Steel
- Inverted:
- #52-3116 16" Aluminum
- #52-3124 24" Aluminum
- #62-3116 16" Stainless steel
- #62-3124 24" Stainless steel



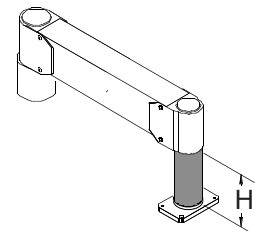
Horizontal Extensions

- Increases overall length by dimension "L".
- #53-1204 4" Aluminum
 - #53-1208 8" Aluminum
 - #53-1212 12" Aluminum
 - #63-1204 4" Stainless Steel
 - #63-1208 8" Stainless Steel
 - #63-1212 12" Stainless Steel



Extension Arms

- Increases overall length by dimension "L" and adds additional swivel joint, providing in-out motion.
- #53-1316 16" Aluminum
 - #53-1324 24" Aluminum
 - #63-1316 16" Stainless steel
 - #63-1324 24" Stainless steel



Vertical Extensions

- Lowers enclosure by dimension "H".
- #53-1404 4" Aluminum
 - #53-1408 8" Aluminum
 - #53-1412 12" Aluminum
 - #63-1404 4" Stainless steel
 - #63-1408 8" Stainless steel
 - #63-1412 12" Stainless steel