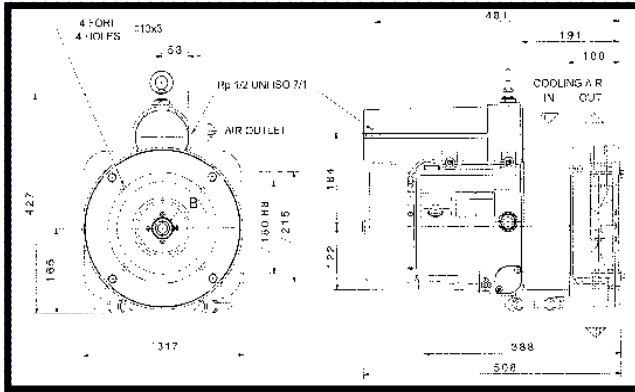
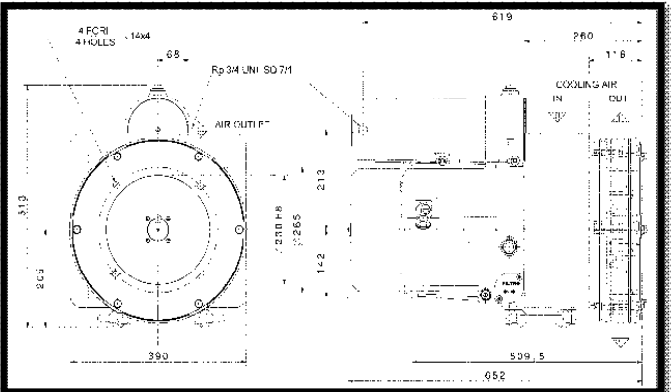


O.E.M. Air End Data Sheet

Bare air ends	SCFM @ 100 psig ⁽¹⁾	Speed range (rpm)		Flow Range (scfm)		Power Range kW	
		min	max	min	max	min	max
MC 80 B	23	1,400	3,000	18	33	3	8
MC 80 D	33	1,400	3,000	23	43	4	10
MC 86 A	43	1,400	3,000	33	61	6	14
MC 86 E	67	1,400	3,000	49	88	8	20
MC 86 G	75	1,400	3,000	60	109	10	24
MC 111 A	100	1,400	3,000	70	130	13	29
MC 111 B	107	1,400	3,000	75	139	14	32
MC 111 C	120	1,400	3,000	84	155	15	35
MC 111 D	129	1,400	3,000	91	167	16	37
MC 111 E	146	1,400	3,000	102	189	18	42
MC 111 F	157	1,400	3,000	111	203	19	45
MC 111 H	174	1,400	3,000	122	226	21	50

⁽¹⁾ Pressures to 175 psig available

MC 80

MC 86

MC 111
