

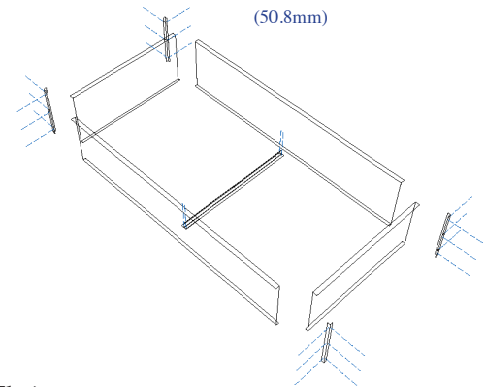
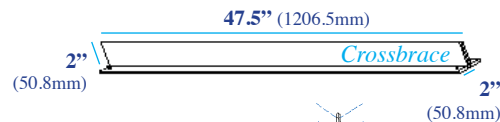
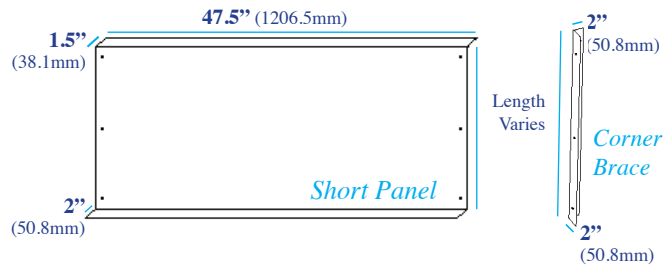
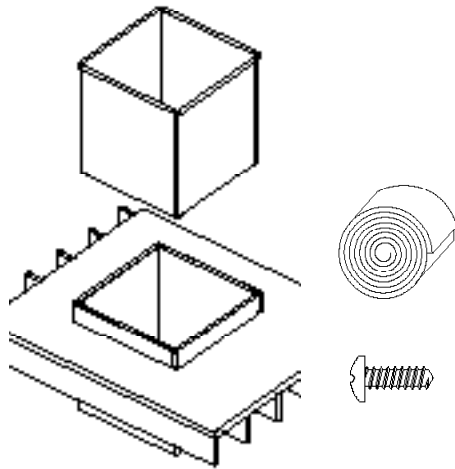
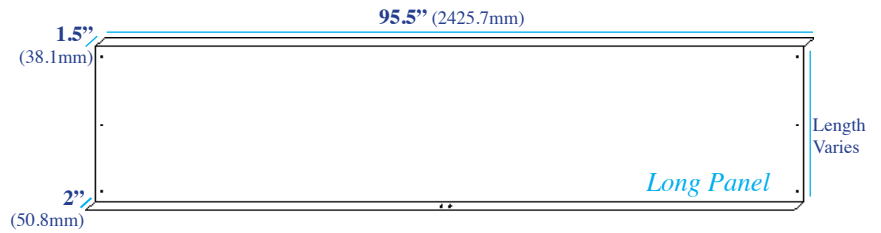
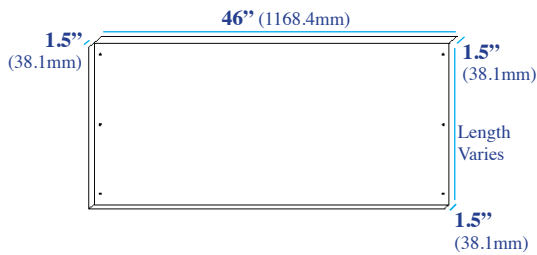



CIRALIGHT
SunTrackers
“We Speak Sun”
A Sustainable Lighting Solution

Lightwell Assembly

SunTracker 400

SunTracker 800



Specifications

Material	Aluminum with Highly Reflective Regal White Coating Additional Materials: Insulating Foam Tape, Silicone Sealant, Screws
Dimensions	Length and Height vary Material Thickness = .039in. (.99mm)
Weight	SunTracker 400 Full 2ft. (609.6mm) Lightwell assembly = 20lbs. (9.07kg) SunTracker 800 Full 2ft. (609.6mm) Lightwell assembly = 30lbs. (13.61kg)
Note:	SunTracker 400 (4' x 4') requires four (4) Lightwell Panels

