



Part #: 800SS Retrofit Safety Screen for Installation at Top of Roof Curbs

Standard Construction:

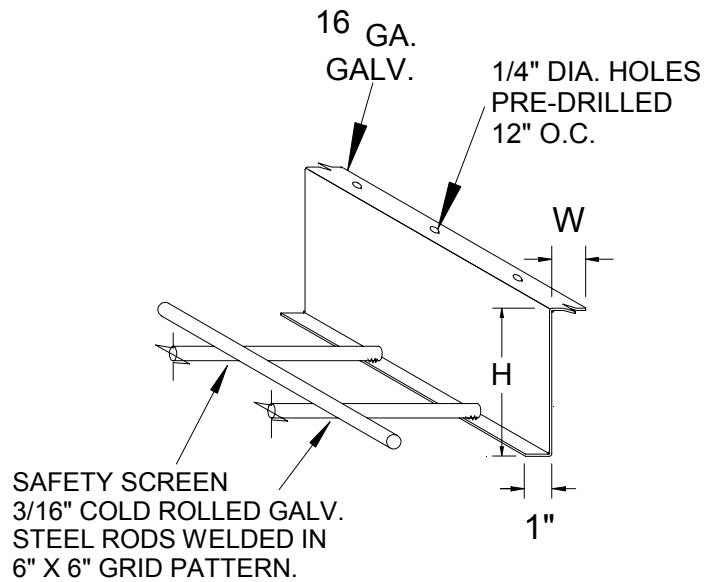
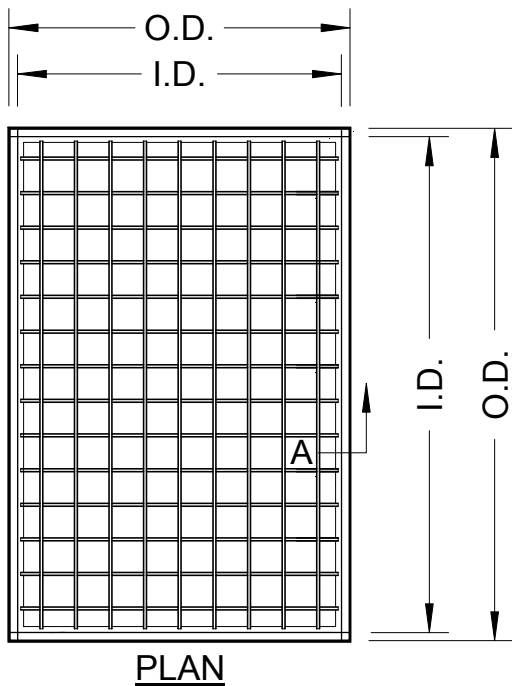
Frame: Welded 16 ga. Galvanized steel. Safety Screen: 3/16" cold rolled Galvanized steel rods welded in 6" x 6" grid pattern. All welds micro-sealed and prime painted after fabrication.

Added Options (When Required):

RPI Job #: -

Project: _____ Architect: _____

TO INSTALL ON TOP OF NEW OR EXISTING ROOF CURBS



Qty.	I.D.	O.D.	H	W	Tag:
	47-1/2" x 95-1/2"	51" x 99"			
					SS-825 SS-850