



Part #: 800CURB-CRC-12L (Level Structural) Roof Curb

Standard Construction:

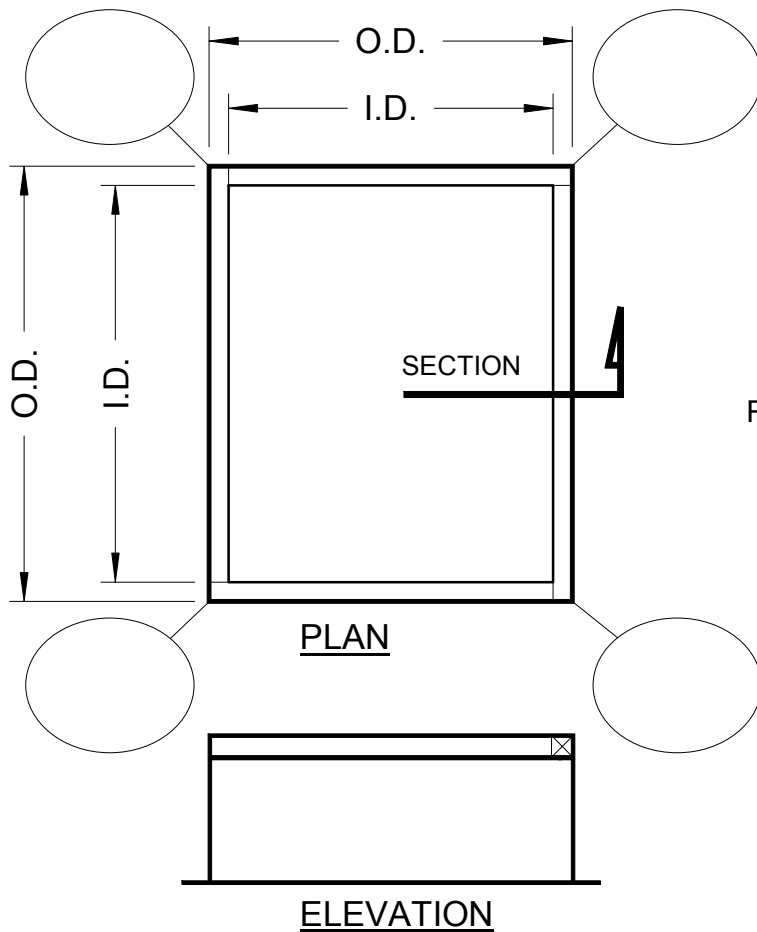
18ga. Galvanized steel construction with 2 x 2 pressure-treated wood nailers. 1 1/2" thick 3# density rigid insulation. Internal reinforcing. 2" mounting flange. All welds micro-sealed and prime painted after fabrication.

Added Options (When Required):

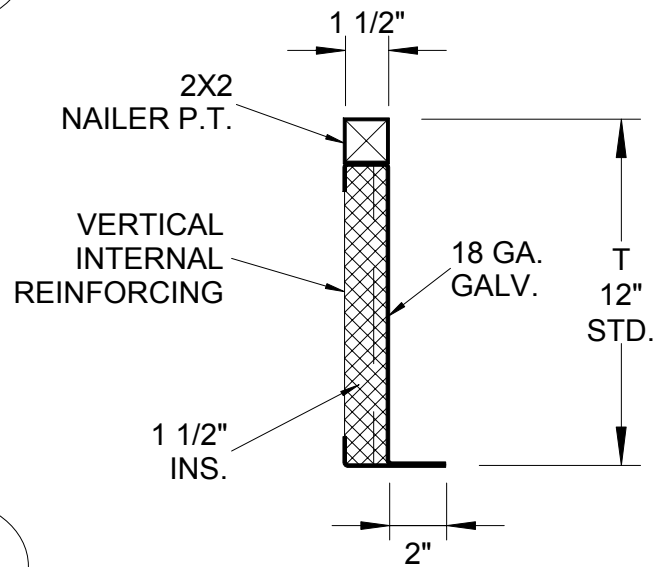
RPI Job #: -

Project: _____

Architect: _____



FOR LEVEL ROOFS



Qty.	I.D.	O.D.	T	Tag:
	48" x 96"	51" x 99"		