



**Part #: 400SS Retrofit Safety Screen for Installation at Top of Roof Curbs**

**Standard Construction:**

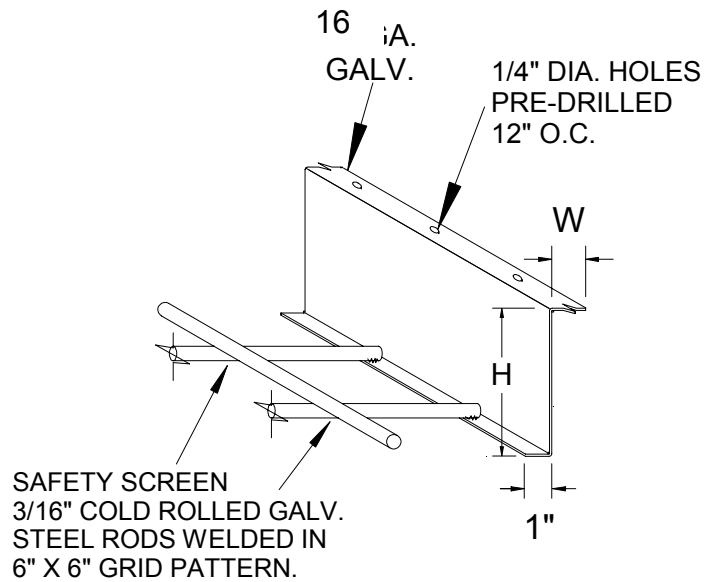
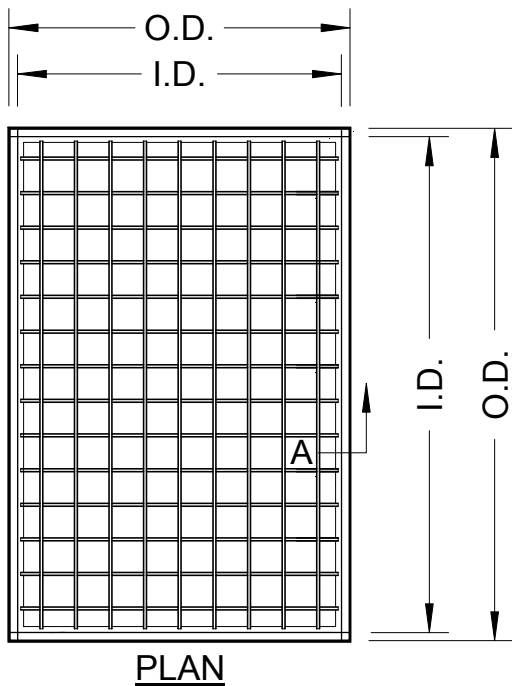
Frame: Welded 16 ga. Galvanized steel. Safety Screen: 3/16" cold rolled Galvanized steel rods welded in 6" x 6" grid pattern. All welds micro-sealed and prime painted after fabrication.

**Added Options (When Required):**

RPI Job #: -

Project: \_\_\_\_\_ Architect: \_\_\_\_\_

TO INSTALL ON TOP OF NEW OR EXISTING ROOF CURBS



Qty.	I.D.	O.D.	H	W	Tag:
	46-1/4" x 46-1/4"	49-1/4" x 49-1/4"			
					SS-825 SS-850