

FIRE & ICE SERIES



BI-72-DEEP Electric Fireplace shown with Blue Fire & Ice flame and Design Specialties surround in Aztec Gold

DESIGN SPECIALTIES SERIES



ZECL-39-4134 Electric Fireplace with Mission Classic Bronze overlay and Clear fire glass

WM-BI DESIGNER SERIES



WM-BI-43-5123 Designer Electric Fireplace shown in Candy Apple Red with optional Sunset fire glass

ARTISAN SERIES



BLT-IN-5124 Electric Fireplace in Venetian Grey color, Classico finish concrete face with optional Sable fire glass

# DESIGNER SERIES

WALL MOUNT & BUILT-IN  
LED LIGHT • INCANDESCENT LIGHT  
HEATER WITH FAN • NO HEATER, NO FAN

*Amantii*

# FIRE & ICE SERIES

ZERO CLEARANCE • INSERT •  
WALL-MOUNT • BUILT-IN • FLUSH • DEEP



ZECL-30-3226-WHTGLS Electric Fireplace shown with Golden Yellow Fire & Ice flame and Espresso mantle

## ZECL-30-3226 SPECIFICATIONS

### ZERO CLEARANCE SERIES Fireplace Features

- Perfect for New Construction
- **NEW** White glass surround
- **NEW** Hardwire ready
- **NEW** Unique multi color state-of-the-art flame
- 4 stage lighting
- Latest LED light technology
- **NEW** LED ember lights in log set
- Flame operates with or without heat
- Heater and fan
- Heat is vented out the top except on flush mount models where heat is vented from the face of the surround
- No grills
- Approx. heating area 400 - 500 sq. ft.
- Remote control for flame and heater
- Optional Mantle available for ZECL-30-3226 in Espresso finish
- **NEW** Large glass nuggets and white and blue diamond fire glass media
- Plug on the left side

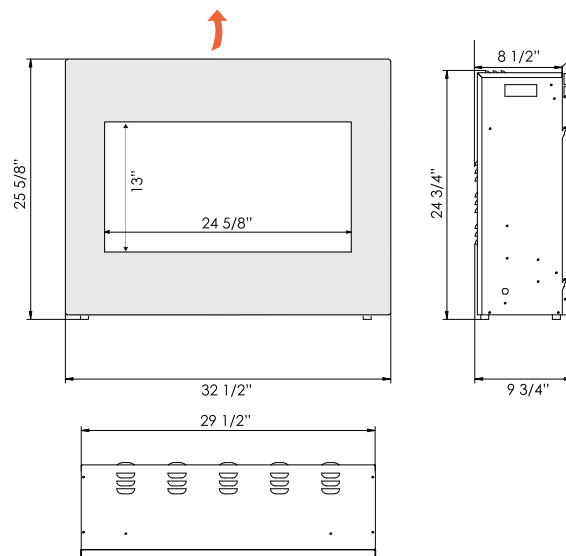


### ZECL-30-3226

The Fire & Ice Series features a vibrant blue, purple, or golden yellow flame. Our innovative flame technology allows you to control the flame color by remote control. This line of contemporary style fireplaces comes in many popular sizes, ready to fit any space. The Fire & Ice Series features a contemporary white glass surround and comes standard with our unique Ice Media made up of large glass nuggets with clear and blue diamond shaped fire glass.

*The ZECL-30-3226 also fits into our optional ZECL-30 Mantel.*

Volts	120
Amps	12.5
Watts	1500 max
Heater On	1500 watts high, 750 watts low
Heater Off	22 watts
Lamps	LED 22 watts
Rotor Motor	1 at 5 watts
Height, Width, Depth	24 3/4 x 29 1/2 x 8 1/2
Glass Viewing Opening	24 5/8 x 13
Surround Size	32 1/2 x 25 5/8
Shipping Size	27 3/4 x 35 1/4 x 12 1/4
Shipping Weight	64 lbs. Glass Included
Cord Length	76"



# ZECL-30 MANTLE

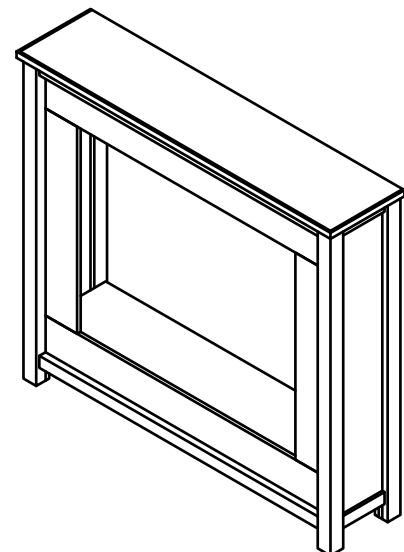
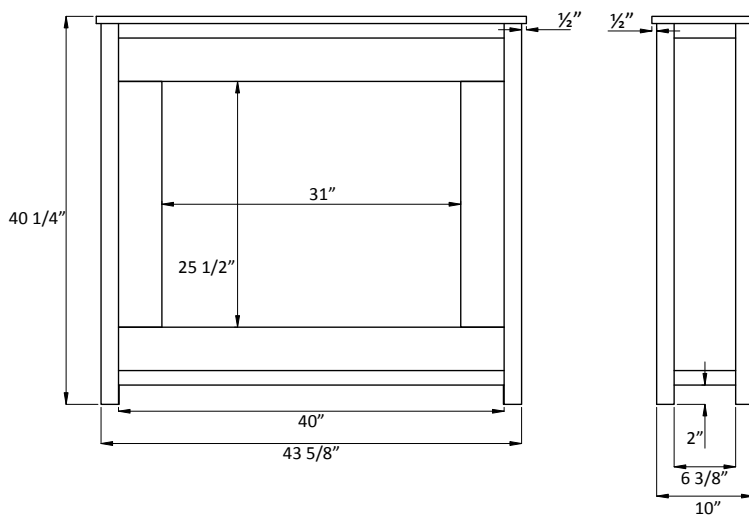
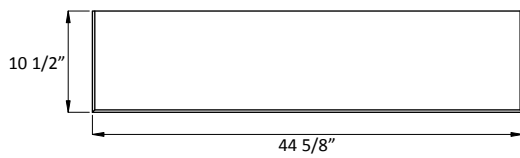


Espresso

## Quality Craftsmanship.

The ZECL-30 mantle is beautifully hand crafted from maple hardwood and is the perfect mantle to house the ZECL-30-3226. The mantle comes unfinished ready to stain or in Espresso. It is easy to assemble and available only for the ZECL-30-3226.

*Unassembled pieces below.*





ZECL-39-4134-WHTGLS Electric Fireplace shown with Blue Fire & Ice flame

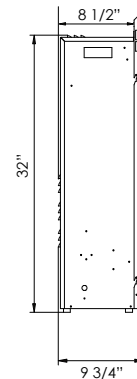
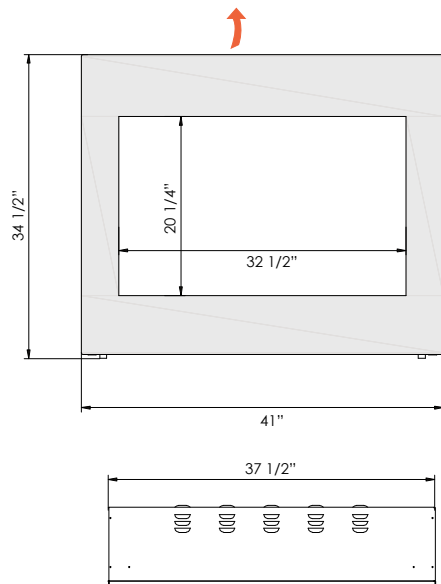
## ZECL-39-4134 SPECIFICATIONS



### ZECL-39-4134

This bold unit is both eye catching and practical. The ZECL-39-4134 is designed for easy, fast installation and is perfect for new construction builds or renovations. Features a contemporary white glass surround and comes standard with our unique Ice Media made up of large glass nuggets with clear and blue diamond shaped fire glass.

Volts	120
Amps	12.5
Watts	1500 max
Heater On	1500 watts high, 750 watts low
Heater Off	22 watts
Lamps	LED 22 watts
Rotor Motor	1 at 5 watts
Height, Width, Depth	32 x 37 1/2 x 8 1/2
Glass Viewing Opening	32 1/2 x 20 1/4
Surround Size	41 x 34 1/2
Shipping Size	36 3/8 x 44 1/8 x 12 1/4
Shipping Weight	86 lbs. Glass Included
Cord Length	76"





INSERT-30-4026-WHTGLS Electric Fireplace shown with Purple Fire & Ice flame

## INSERT-30-4026 SPECIFICATIONS

### INSERT SERIES Fireplace Features

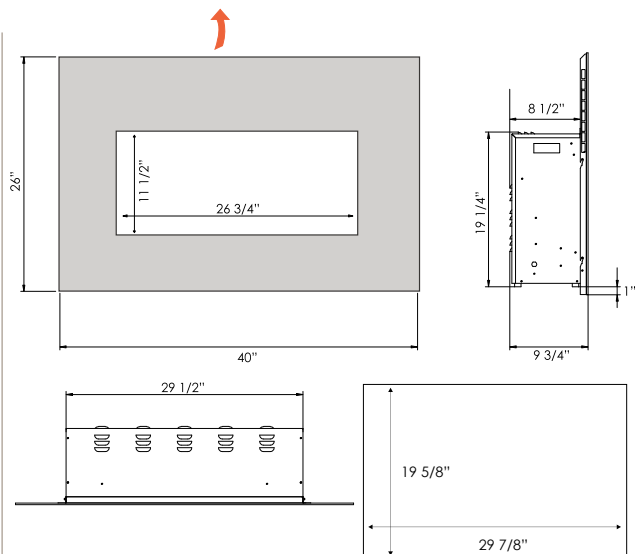
- Great alternative for wood or gas inserts
- Perfect for renovations or retrofits
- 3 popular sizes
- **NEW** White glass surround
- **NEW** Hardwire ready
- **NEW** Unique multi color state-of-the-art flame
- 4 stage lighting
- Latest LED light technology
- **NEW** LED ember lights in log set
- Flame operates with or without heat
- Heater and fan
- Heat is vented out the top
- No grills
- Approx. heating area 400 - 500 sq. ft.
- Remote control for flame and heater
- **NEW** Large glass nuggets and white and blue diamond fire glass media
- 4 leveling legs on the underside
- Plug on the left side
- Cord length 76"



### INSERT-30-4026

Breathe new life into existing masonry or metal fireplaces with the stylish electric Insert-30-4026. Designed as an alternative to wood or gas units the Insert-30-4026 is modern and sophisticated. This medium sized unit is ideal for renovations and is quick and easy to install. Features contemporary white glass surround and comes standard with our unique Ice Media made up of large glass nuggets with clear and blue diamond shaped fire glass.

Volts	120
Amps	12.5
Watts	1500 max
Heater On	1500 watts high, 750 watts low
Heater Off	22 watts
Lamps	LED 22 watts
Rotor Motor	1@5 watts
Height, Width, Depth	19 1/4 x 29 1/2 x 8 1/2
Glass Viewing Opening	26 3/4 x 11 1/2
Surround Size	40 x 26
Shipping Size	32 3/8 x 44 3/4 x 12 1/4
Shipping Weight	73 lbs. Glass Included



Minimum opening size required 19 5/8" H x 29 7/8" W



WM-BI-26-3623-WHTGLS Electric Fireplace shown with Blue Fire & Ice flame and surround back lighting on

## WM-BI-26-3623 SPECIFICATIONS

### WM-BI SERIES Fireplace Features

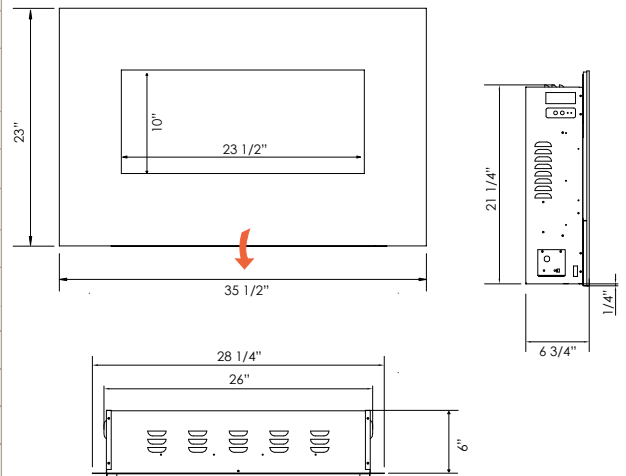
- Can be wall mounted or built in
- **NEW** White glass surround
- **NEW** Hardwire ready
- **NEW** Unique multi color state-of-the-art flame
- 13 colors of surround back lighting on 3 sides
- 4 stage lighting
- Latest LED light technology
- **NEW** LED ember lights in log set
- Heater and fan
- Heat is vented out the bottom
- No grills
- Approx. heating area 400 - 500 sq. ft.
- Temperature maintenance control
- Maintains a constant temp of 25° C / 87° F
- Remote control included for flame and heater & surround backlighting
- **NEW** Large glass nuggets and white and blue diamond fire glass media
- Plug on left side



Volts	120
Amps	12.5
Watts	1500 max
Heater On	1500 watts high, 750 watts low
Heater Off	22 watts
Lamps	LED 22 watts
Rotor Motor	1 at 5 watts
Height, Width, Depth	21 1/4 x 26 x 6
Glass Viewing Opening	23 1/2 x 10
Surround Size	35 1/2 x 23
Shipping Size	38 3/4 x 9 1/8 x 25 5/8
Shipping Weight	55.7 lbs. Glass Included
Cord Length	76"

### WM-BI-26-3623

The clean and modern WM-BI-26-3623 will add an impressive glow to any space. Not only does this model feature temperature maintenance controls but it features back lights with 13 colors to choose from. Simple to wall mount or build-in to the wall for a custom finished look. Features contemporary white glass surround and comes standard with our unique Ice Media made up of large glass nuggets with clear and blue diamond shaped fire glass.





WM-BI-34-4423-WHTGLS Electric Fireplace shown with Golden Yellow Fire & Ice flame and surround back lighting off

*multicolored*

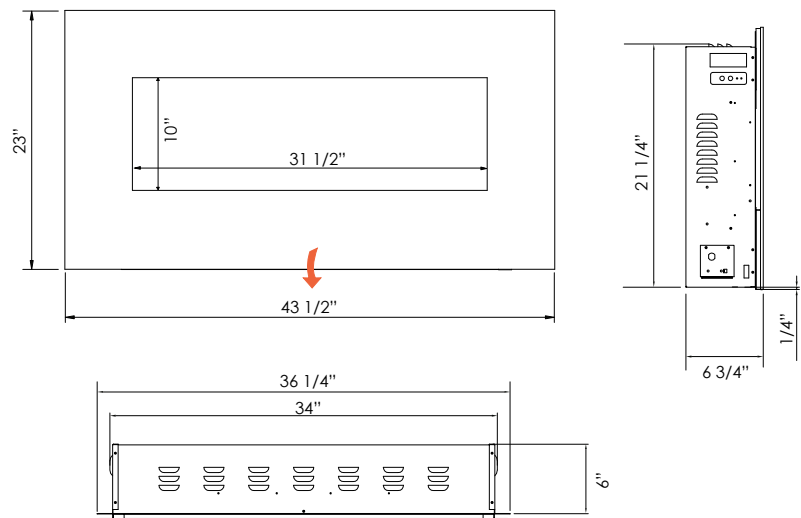
## WM-BI-34-4423 SPECIFICATIONS



### WM-BI-34-4423

Warm up any space with the sleek and sophisticated WM-BI-34-4423, featuring temperature maintenance controls and the ability to add a back lit glow in your choice of 13 colors. This stylish unit will add a touch of elegance to a space by day and a splash of color by night. Unit can be wall mounted or built-in to the wall for a more custom look and finish. Features contemporary white glass surround and comes standard with our unique Ice Media made up of large glass nuggets with clear and blue diamond shaped fire glass.

Volts	120
Amps	12.5
Watts	1500 max
Heater On	1500 watts high, 750 watts low
Heater Off	22 watts
Lamps	LED 22 watts
Rotor Motor	1 at 5 watts
Height, Width, Depth	21 1/4 x 34 x 6
Glass Viewing Opening	31 1/2 x 10
Glass Size	43 1/2 x 23
Shipping Size	46 3/4 x 9 1/8 x 25 5/8
Shipping Weight	65.8 lbs. Glass Included
Cord Length	76"





WM-BI-48-5823-WHTGLS Electric Fireplace shown with Blue Fire & Ice flame

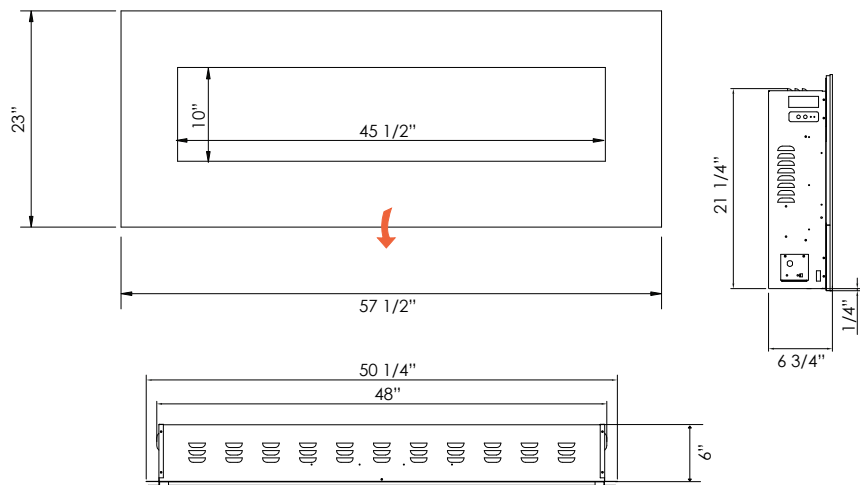
## WM-BI-48-5823 SPECIFICATIONS



### WM-BI-48-5823

Impressive and functional. The WM-BI-48-5823 will heat up a room in more ways than one – featuring 13 colors of ambient back lighting, this unit adds wow factor to any space. The WM-BI-48-5823 features temperature maintenance controls and the ability to be wall mounted or built-in to a wall for a custom finished look. Features contemporary white glass surround and comes standard with our unique Ice Media made up of large glass nuggets with clear and blue diamond shaped fire glass.

Volts	120
Amps	12.5
Watts	1500 max
Heater On	1500 watts high, 750 watts low
Heater Off	22 watts
Lamps	LED 22 watts
Rotor Motor	1 at 5 watts
Height, Width, Depth	21 1/4 x 48 x 6
Glass Viewing Opening	45 1/2 x 10
Glass Size	57 1/2 x 23
Shipping Size	60 3/4 x 10 1/4 x 26 1/4
Shipping Weight	82.2 lbs. Glass Included
Cord Length	76"







WM-BI-72-8123-WHTGLS Electric Fireplace shown with Blue Fire & Ice flame

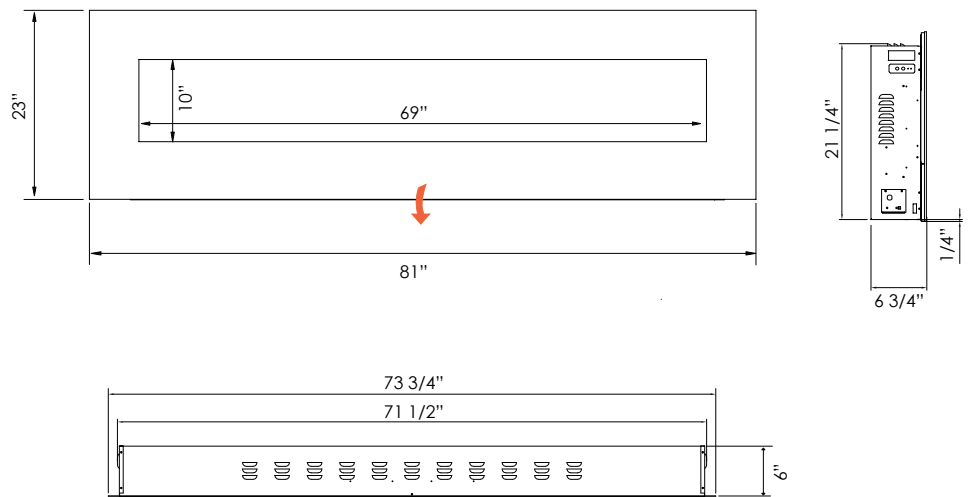
## WM-BI-72-8123 SPECIFICATIONS



### WM-BI-72-8123

The WM-BI-72-8123 adds ambiance to any space featuring 13 colors of ambient back lighting. Unit is easy to wall mount or for a more custom look build right into the wall. Features contemporary white glass surround and comes standard with our unique Ice Media made up of large glass nuggets with clear and blue diamond shaped fire glass.

Volts	120
Amps	12.5
Watts	1500 max
Heater On	1500 watts high, 750 watts low
Heater Off	22 watts
Lamps	LED 22 watts
Rotor Motor	1 at 5 watts
Height, Width, Depth	21 1/4 x 71 1/2 x 6
Glass Viewing Opening	69 x 10
Surround Size	81 x 23
Shipping Size	84 1/4 x 9 1/8 x 25 5/8
Shipping Weight	115.3 lbs. Glass Included
Cord Length	76"





BI-50-FLUSHMT-WHTGLS Electric Fireplace shown with Purple Fire & Ice flame

## BI-50-FLUSHMNT SPECIFICATIONS

### BUILT-IN FLUSH MOUNT Fireplace Features

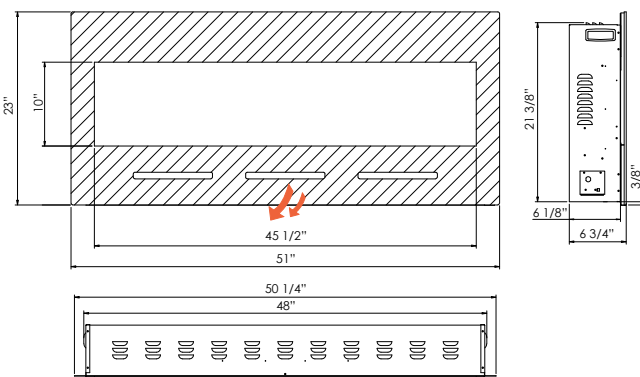
- Can be wall mounted or built in
- Excellent for mounting below TV
- **NEW** White glass surround
- **NEW** Hardwire ready
- **NEW** Unique multi color state-of-the-art flame
- 4 stage lighting
- Latest LED light technology
- Flame operates with or without heat
- Heater and fan
- Heat is emitted from surround near the bottom of the unit
- Approx. heating area 400 - 500 sq. ft.
- Remote control for flame and heater
- **NEW** Large glass nuggets and white and blue diamond fire glass media
- Plug on the left side



### BI-50-FLUSHMNT

Features contemporary white glass surround and comes standard with our unique Ice Media made up of large glass nuggets with clear and blue diamond shaped fire glass.

Volts	120
Amps	12.5
Watts	1500 max
Heater On	1500 watts high, 750 watts low
Heater Off	22 watts
Lamps	LED 22 watts
Rotor Motor	1 at 5 watts
Height, Width, Depth	21 3/8 x 48 x 6 1/8
Glass Viewing Opening	45 1/2 x 10
Surround Size	51 x 23
Shipping Size	26 1/4 x 61 x 10 1/4
Shipping Weight	84 lbs. Glass Included
Cord Length	76"





BI-50-DEEP Electric Fireplace shown with Golden Yellow Fire & Ice flame, with surround in DS Classic Bronze

## BI-50-DEEP SPECIFICATIONS

### BUILT-IN DEEP Fireplace Features

- True clean face install options
- 12" deep
- Massive glass viewing area
- **NEW** Hardwire ready
- **NEW** Unique multi color state-of-the-art flame
- 'Dual Flame' technology features two flame sets
- Latest LED light technology
- Flame operates with or without heat
- Heater and fan
- Approx. heating area 400 - 500 sq. ft.
- Remote control for flame and heater
- The BI-DEEP models are designed to be built-in and allow for the finishing material (drywall, stone, tile, etc) to be built right up to the glass edge. However, that application is not always desirable or available, so the included surround could be used as an alternate finish option.
- Design Specialties surround options available, for an additional charge
- **NEW** Large glass nuggets, diamonds fire glass media and a **NEW** 6-piece log set

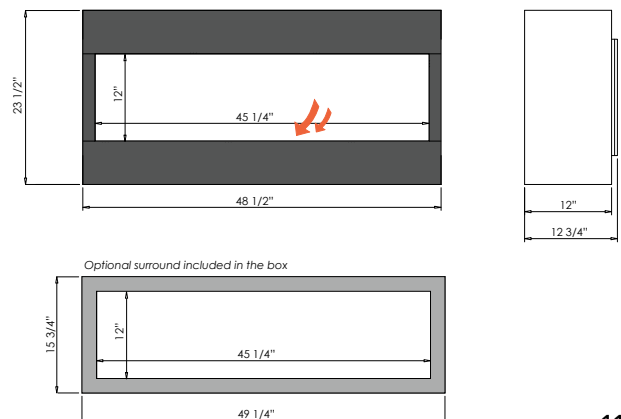


Volts	120
Amps	12.5
Watts	1500 max
Heater On	1500 watts high, 750 watts low
Heater Off	22 watts
Lamps	LED 22 watts
Rotor Motor	1 at 5 watts
Height, Width, Depth	23 1/2 x 48 1/2 x 12
Glass Viewing Opening	45 1/4 x 12
Surround Size	49 1/4 x 15 3/4
Shipping Size	25 1/2 x 58 x 14 1/2
Shipping Weight	101.5 lbs. Glass Included
Cord Length	76"

### BI-50-DEEP

The BI-50-DEEP is 12" in depth and feature the latest 'Dual Flame' technology for a truly dynamic and remarkably life like flame. These models offer a true clean face installation - allowing for drywall or finishing material built right to the glass. Perfect for locations where running costly gas lines and venting are not possible.

This unit comes standard with our unique Ice Media, 6-piece log set and optional black surround in the box.





BI-72-DEEP Electric Fireplace shown with Blue Fire & Ice flame, without surround

## BI-72-DEEP SPECIFICATIONS

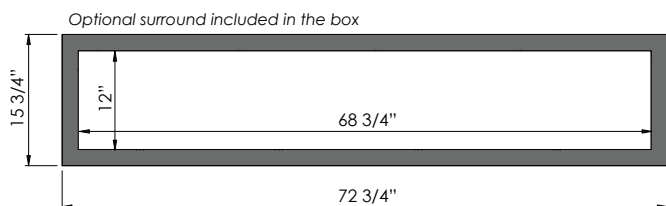
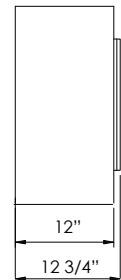
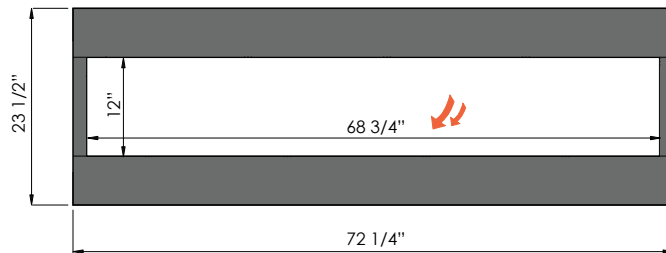


### BI-72-DEEP

The BI-72-DEEP is 12" in depth and features the latest 'Dual Flame' technology for a truly dynamic and remarkably life like flame. These models offer a true clean face installation - allowing for drywall or finishing material built right to the glass. Perfect for locations where running costly gas lines and venting are not possible.

This unit comes standard with our unique Ice Media, 6-piece log set and optional black surround in the box.

Volts	120
Amps	12.5
Watts	1500 max
Heater On	1500 watts high, 750 watts low
Heater Off	22 watts
Lamps	LED 22 watts
Rotor Motor	1 at 5 watts
Height, Width, Depth	23 1/2 x 72 1/4 x 12
Glass Viewing Opening	68 3/4 x 12
Surround Size	72 3/4 x 15 3/4
Shipping Size	25 1/4 x 81 1/8 x 14 1/2
Shipping Weight	133.5 lbs. Glass Included
Cord Length	76"



# FIRE & ICE ACCESSORIES

Variations in color and shade are inherent in all printing processes, the actual colors may vary slightly from those shown in this brochure. Please visit your local dealer to view a sample.

## BI-DEEP SURROUND

Comes with the BI-DEEP Series models ONLY. Fireplace can be installed with or without the surround.

BI-50-DEEP - 49 1/4" x 15 3/4"

BI-72-DEEP - 72 3/4" x 15 3/4"



**NEW!**

## FIRE GLASS MEDIA

Large glass nuggets and white and blue diamond fire glass media are included with the Fire & Ice Series ONLY.

(available for other models to purchase for an additional charge).



**NEW!**

## 6-PIECE LOG SET

The 6-piece log set comes with the Fire & Ice Series and WM-BI-2428-VLR models ONLY.

(available for other models to purchase for an additional charge).



## REMOTE



## DESIGN SPECIALTIES

Design Specialties steel overlays are available for the ZECL-39-4134-WHTGLS, INSERT-30-4026-WHTGLS, WM-BI-48-5823-WHTGLS, BI-50-DEEP and BI-72-DEEP (available for an additional charge.)

*Blacksmith overlay shown on a INS-30-4026-WHTGLS*



# LIGHTING

## Colorful Flames

Blue, Golden Yellow and Purple Fire & Ice flame: WM-BI-26-3623-WHTGLS, WM-BI-34-4423-WHTGLS, WM-BI-48-5823-WHTGLS, WM-BI-72-8123-WHTGLS, ZC-30-3224-WHTGLS, INSERT-30-4026-WHTGLS, BI-50-FLUSH-WHTGLS, BI-50-DEEP-WHTGLS and BI-72-DEEP-WHTGLS models only



Three flame colors to choose from, changeable by remote



## Surround Back Lighting

WM-BI-26-3623, WM-BI-34-4423, WM-BI-48-5823 and WM-BI-72-8123 models only

# DESIGN SPECIALTIES SERIES

ZERO CLEARANCE • INSERT • WALL-MOUNT/BUILT-IN



ZECL-39-4134 Electric Fireplace with Mission Metro Steel overlay and log set

## ZECL-39-4134 SPECIFICATIONS

### ZERO CLEARANCE SERIES Fireplace Features

- Perfect for New Construction
- Clean black glass surround
- **NEW** Hardwire ready
- Control brightness of front and rear flames
- Latest LED light technology
- **NEW** LED ember lights in log set
- Flame operates with or without heat
- Heater and fan
- Heat is vented out the top
- No grills
- Approx. heating area 400 - 500 sq. ft.
- Remote control for flame and heater
- Three colors of fire glass media and LED ember log set in the box (page 22)
- Plug on the left side



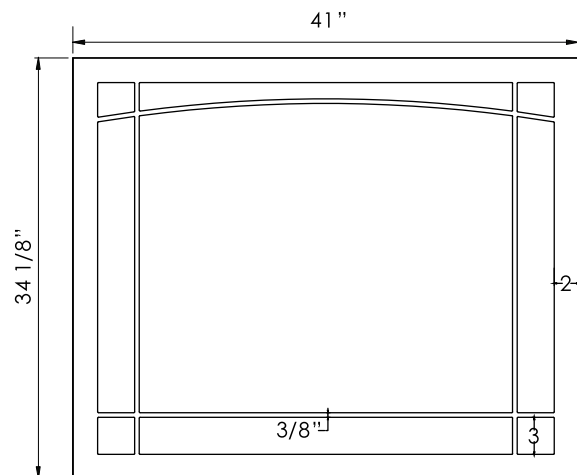
### Design Specialties steel overlays for Amantii electric fireplaces.

Available for three models, the ZECL-39-4134, the INSERT-30-4026 and the WM-BI-5823. These hand-crafted steel overlays bring a traditional elegance to any room. Designed for an exceptional fit and finish with unparalleled craftsmanship and made to order by skilled metal workers.

With two different steel overlays, Mission or Blacksmith style, and 21 standard powder coated finishes, as well as 13 Artisan finishes, the design possibilities are endless, see page 17. This allows customers to be a part of the design process creating a unique steel overlay perfectly suited for any living space.

Volts	120
Amps	12.5
Watts	1500 max
Heater On	1500 watts high, 750 watts low
Heater Off	22 watts
Lamps	LED 22 watts
Rotor Motor	1 at 5 watts
Height, Width, Depth	32 x 37 1/2 x 8 1/2
Glass Viewing Opening	30 7/8 x 20 3/8
Surround Size	41 x 34 1/2
D.S. Surround Size	41 x 34 1/8
Shipping Size Fireplace Unit D.S. Surround	36 3/8 x 44 1/8 x 12 1/4 44 x 37 x 4
Shipping Weight Fireplace Unit D.S. Surround	86 lbs. Glass Included 30 lbs.

ZECL-39-4134 with SunTea fire glass and Blacksmith Rustic Copper overlay shown to left.



Mission Line Drawing for steel overlay fitting on ZECL-39-4134 and ZECL-39-4134-WHTGLS electric fireplace



INSERT-30-4026 Electric Fireplace with Blacksmith Metro-Sierra overlay and Harvest Moon fire glass

## INSERT-30-4026 SPECIFICATIONS

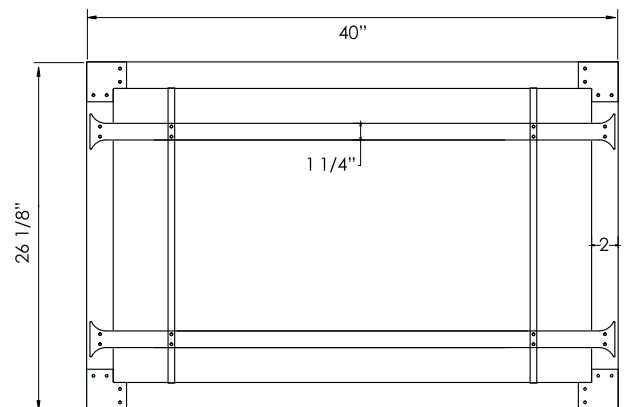
### INSERT SERIES Fireplace Features

- Great alternative for wood or gas inserts
- Perfect for renovations or retrofits
- Clean black glass surround
- **NEW** Hardwire ready
- Control brightness of front and rear flames
- Latest LED light technology
- **NEW** LED ember lights in log set
- Flame operates with or without heat
- Heater and fan
- Heat is vented out the top
- No grills
- Approx. heating area 400 - 500 sq. ft.
- Remote control for flame and heater
- 4 leveling legs on the underside
- Three colors of fire glass media and LED ember log set in the box (page 22)
- Plug on the left side
- Cord length 76"



Volts	120
Amps	12.5
Watts	1500 max
Heater On	1500 watts high, 750 watts low
Heater Off	22 watts
Lamps	LED 22 watts
Rotor Motor	1 at 5 watts
Height, Width, Depth	19 1/4 x 29 1/2 x 8 1/2
Glass Viewing Opening	26 3/4 x 11 1/2
Surround Size	40 x 26
D.S. Surround Size	40 x 26 1/8
Shipping Size Fireplace Unit D.S. Surround	32 3/8 x 44 3/4 x 12 1/4 43 x 29 x 5
Shipping Weight Fireplace Unit D.S. Surround	73 lbs. Glass Included 28 lbs.

INSERT-30-4026 with log set and Mission Toffee overlay shown to left.



Blacksmith Line Drawing for steel overlay fitting on INSERT-30-4026 and INSERT-30-4026-WHTGLS electric fireplaces



WMBI-48-5823 Electric Fireplace with Blacksmith Classic Bronze overlay and Sun Tea fire glass

## WMBI-48-5823 SPECIFICATIONS

### WM-BI SERIES

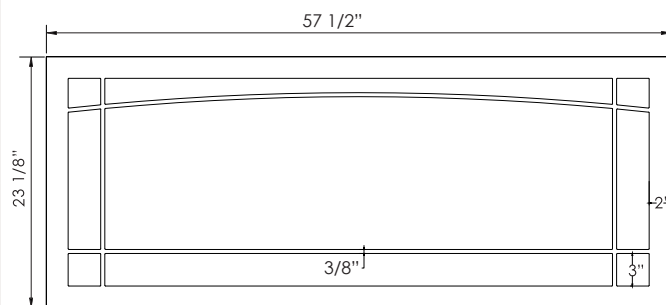
#### Fireplace Features

- Can be wall mounted or built in
- Clean black glass surround
- **NEW** Hardwire ready
- Control brightness of front and rear flames
- Latest LED light technology
- **NEW** LED ember lights in log set
- 13 colors of surround back lighting on 3 sides
- Heater and fan
- Heat is vented out the bottom
- No grills
- Temperature maintenance control
- Maintains a constant temp of 25° C / 87° F
- Approx. heating area 400 - 500 sq. ft.
- Remote control included for flame and heater & surround back lighting
- Three colors of fire glass media and LED ember log set in the box (page 22)
- Plug on left side



Volts	120
Amps	12.5
Watts	1500 max
Heater On	1500 watts high, 750 watts low
Heater Off	22 watts
Lamps	LED 22 watts
Rotor Motor	1 at 5 watts
Height, Width, Depth	21 1/4 x 48 x 6
Glass Viewing Opening	45 1/2 x 10
Surround Size	57 1/2 x 23
D.S. Surround Size	57 1/2 x 23 1/8
Shipping Size	
Fireplace Unit	60 3/4 x 10 1/4 x 26 1/4
D.S. Surround	60 x 26 x 5
Shipping Weight	
Fireplace Unit	82.2 lbs. Glass Included
D.S. Surround	35 lbs.

WMBI-48-5823 with log set and Mission Cast Iron overlay shown to left.



Mission Line Drawing for steel overlay fitting on WM-BI-48-5823 and WM-BI-48-5823-WHTGLS electric fireplaces



# DESIGN SPECIALTIES

## STEEL FINISHES

### POWDER COAT

## STANDARD FINISHES



Ancient Age



Brite Black



Bronze Burst



Cast Bronze



Cast Iron



Classic Bronze



Copper Vein



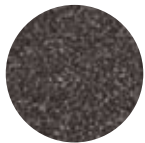
Dark Pewter



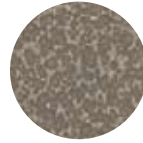
Espresso



Gator Black



Granite



Graphite



Mahogany



Natural Iron



Rust



Rustic Black



Silver



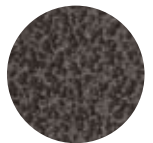
Solar Bronze



Textured Black



Toffee



Vintage Iron

Proudly made in the USA, each Design Specialties door is hand crafted to the specifications of each order. Due to the nature of the anodizing, plating and powder coat processes, slight variations in color may occur. In particular, finishes including, but not limited to, Forged Iron, Sierra Copper, Rustic Copper, Black Silver Edge and Black Copper Edge.

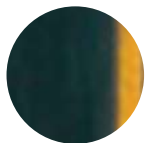
## ARTISAN FINISHES



Autumn Glow



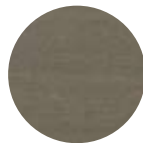
Aztec Gold



Copper Edge



Copper Fire



Forged Iron



Metro Steel



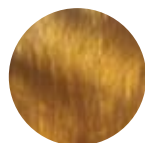
Old World Bronze



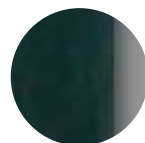
Rustic Copper



Shark Skin



Sierra Copper



Silver Edge



Venetian Bronze



Vintage Brass

*Variations in color and shade are inherent in all printing processes, the actual colors may vary slightly from those shown in this brochure. Please visit your local dealer to view a sample.*

## TWO-TONE FINISH OPTION

Amantii offers a Two-Tone finish option:  
Sierra Copper Frame with Metro Steel Accents.

Available for the ZECL-39-4134, ZECL-39-4134-WHGLS, INSERT-30-4026,  
INSERT-30-4026-WHTGLS, WMBI-48-5823 and WM-BI-48-5823-WHTGLS

The Two-Tone finish comes in Blacksmith style face only.



Shown on the INS-30-4026-TWO-TONE

# WM-BI DESIGNER SERIES

WM-BI PROGRAMMABLE THERMOSTAT  
 ADVANCED FLAME PRESENTATION  
 LED LIGHTING WITH HEATER & FAN



WM-BI-43-5123 Designer Electric Fireplace shown in Candy Apple Red with optional Sunset fire glass

## WM-BI-43-5123 DESIGNER SPECIFICATIONS

### WM-BI DESIGNER SERIES Fireplace Features

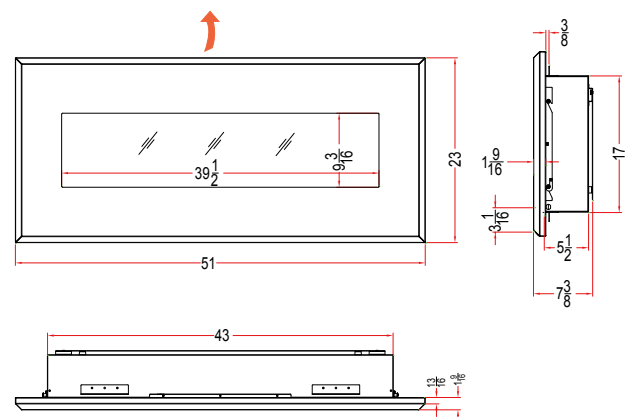
- Can be wall mounted or built-in
- Featuring an advanced flame presentation, the latest LED light technology with multi color flame
- Control brightness of front and rear flames
- Flame operates with or without heat
- Heater and fan
- Three stage heater
- Heat can operate without flame
- No grills
- Approx. heating area – 400 sq. ft.
- Digital display programmable thermostat
- Thermostat is located on remote and displayed on the fireplace in F or C
- Remote control for flame and heater included
- Optional Designer beveled steel face comes on the WM-BI-43-5123 and WM-BI-58-64-21 only
- Plug located on the right side



### WM-BI-43-5123 Designer

If you're looking for inspiration, our beveled steel faced fireplaces are the perfect fit. These stylish units feature a 45/45/90 degree, 1.5 inch return, adding dimension and richness to any room. Available in an assortment of the latest designer colors. Comes with LED ember log set and three colors of fire glass media. The WM-BI-43-5123 is designed to be wall mounted or built-in.  
 (Architects Gray with log set shown to the left.)

Volts	120
Amps	11.7
Watts	1400 max
Heater On	1350 watts high, 675 watts low
Heater Off	11 watts
Blower Motor	14.5 watts
Small Motor	4 watts
Height, Width, Depth	17 x 43 x 5 1/2
Glass Viewing Opening	39 1/2 x 9 3/16
Surround Size	51 x 23
Shipping Size	55 x 10 3/8 x 27 1/2
Shipping Weight	72 lbs. Glass Included
Cord Length	75"



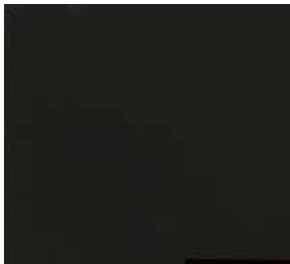
inspire



WM-BI-43-5123 Designer Electric Fireplace shown in Gallery White with log set

## 43" WM-BI DESIGNER SERIES COLOR OPTIONS

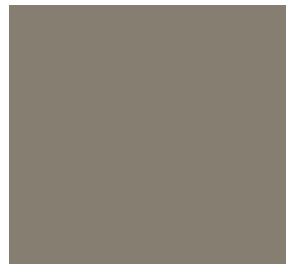
(Colors are available for WM-BI-43-5123 Designer and WM-BI-58-6421 models only)



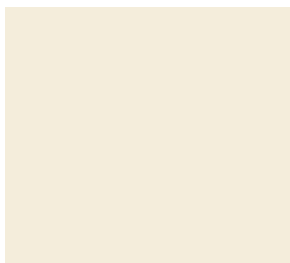
Black



Modern Auburn



Architects Gray



Gallery White



Candy Apple Red



Coastal Blue



(Coastal Blue edge shown)

**Beveled Edges** - Our designer steel fronts are 1-1/2" thick, adding richness and beauty.

Variations in color and shade are inherent in all printing processes, the actual colors may vary slightly from those shown in this brochure. Please visit your local dealer to view a sample.



WM-BI-58-6421 Electric Fireplace shown in Black with Harvest Moon fire glass

## WM-BI-58-6421 SPECIFICATIONS

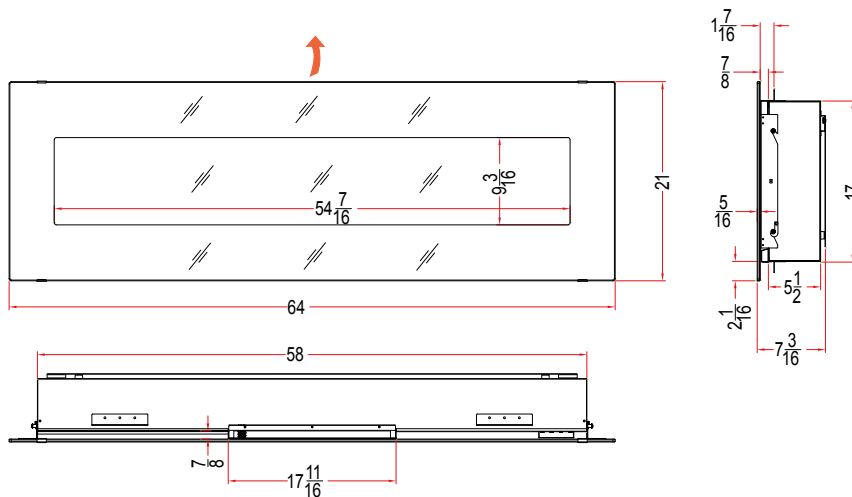


### Sleek & Stylish.

Fitting perfectly into any setting, the WM-BI-58-6421 is beautiful in any room. Available in an assortment of the latest designer colors, see page 19. Comes with log set and three colors of fire glass media. (Coastal Blue with log set shown to the left.)

*Note: the standard black metal surround can be custom painted. Choose from over 30 different colors. Ask for more information at your local hearth store.*

Volts	120
Amps	11.7
Watts	1400 max
Heater On	1350 watts high, 675 watts low
Heater Off	18 watts
Blower Motor	14.5 watts
Small Motor	10 watts
Height, Width, Depth	17 x 58 x 5 1/2
Glass Viewing Opening	54 7/16 x 9 3/16
Surround Size	64 x 21
Shipping Size	68 x 10 3/8 x 25 5/8
Shipping Weight	87 lbs. Glass Included
Cord Length	75"





WM-BI-58-6421 Electric Fireplace shown in Architects Gray with log set



# *contemporary*

WM-BI-58-6421 Electric Fireplace shown in Gallery White with optional Blaze fire glass

# ACCESSORIES & FIRE GLASS OPTIONS



WM-BI-43-5123 Designer Electric Fireplace shown in Modern Auburn with Sun Tea fire glass

## FIRE GLASS COLORS

The three fire glass colors below are included with the WM/BI Series, ZECL Series, BLT-IN Series, WM-50 and WM-3522CF



Hz-01 Clear



Hz-04 Harvest Moon



Hz-09 Sun Tea

### LED EMBER LOG SET

The logs come with both the WM/BI Series, ZECL Series, INSERT Series and the WM-50.



### NEW! 6-PIECE LOG SET

The 6-piece log set comes with the BI-50-DEEP, BI-72-DEEP and WM-BI-2428-VLR models ONLY. (available for other models to purchase for an additional charge).



## OPTIONAL FIRE GLASS

The six optional fire glass colors below are available to purchase at an additional charge.



Hz-05 Goldenrod



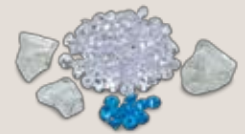
Hz-06 Blaze



Hz-07 Sunset



Hz-08 Sable



Fire & Ice\*  
Clear and blue diamonds

\* Fire & Ice media is included with the Fire & Ice Series ONLY. (available for other models to purchase for an additional charge).

Variations in color and shade are inherent in all printing processes, the actual colors may vary slightly from those shown in this brochure. Please visit your local dealer to view a sample.

# ARTISAN SERIES

LED LIGHT  
NO HEATER, NO FAN



BLT-IN-5124 Electric Fireplace in Venetian Grey color, Classico finish concrete face with optional Sable fire glass

## BLT-IN-5124 SPECIFICATIONS

### BLT-IN 5124 SERIES Fireplace Features

- Can be built-in or wall mount
- Surround can be nearly flush against the wall
- Featuring LED light technology
- No heater
- No fan
- 12 Volt
- Remote control for turning the flame on or off (included)
- Easy to reach manual controls
- Comes with three colors of fire glass media



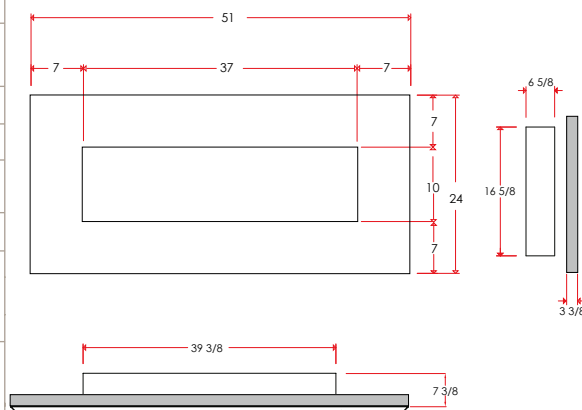
Volts	12
Amps	0.2
Watts	10.5
LED Lights	5 each 5 watt 25 watts total
Rotor Motor	1 at 5 watts
Height, Width, Depth	16 5/8 x 39 3/8 x 6 5/8
Glass Viewing Opening	37 w x 10 h
Concrete Surround	51 w x 24 h x 3-3/8 d
Shipping Size	
Unit	40 x 7 x 22
Concrete Front	55 x 6 x 27
Shipping Weight	
Unit	27 lbs.
Concrete Front	90 lbs.
Plug Location	Right Side
Cord Length	76"

### Enduring & Unique.

Amantii's realistic flame and larger flame viewing area are standard for this 51" unit. The fireplace unit can be recessed into an opening leaving the 3-3/8" depth concrete face sitting nearly flush against the wall. Included in the box is our new selection of three colors of fire glass media.

**The BLT-IN-5124 is designed to be wall mounted or built-in.**

(Image to the left shown with Sunset fireglass.)



The fireplace unit can be recessed into an opening leaving the 3-3/8" depth concrete face sitting nearly flush against the wall. (There will be a 1/8" gap between the wall and the surround provided the unit is 2-3/4" out of the wall when installed)

# TIMELESS FINISH

Amantii is pleased to introduce our new line of hand-poured concrete surrounds. Our surrounds are beautiful to look at, transforming any space and providing years of enjoyment. Part of the unique quality of concrete is that textures and irregularities are part of its charm. As such it is not uncommon to find slight surface irregularities and color variations from piece to piece. Each piece is cast by hand and the finest color pigments have been used for the optimal in color consistency. The Artisan surrounds are available in two styles; the Moderno and the Classico, and two colors; Venetian Grey and Tuscan Cream.



## ARTISAN CONCRETE FACE STYLE & COLOR OPTIONS

### Styles:



Classico - Natural finish only



Moderno - Honed finish only

### Colors in each Finish:



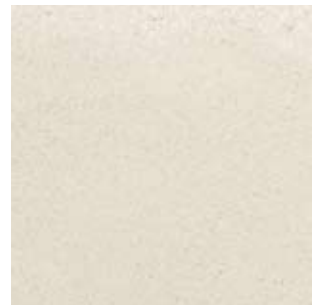
Venetian Gray - Natural Finish



Tuscan Cream - Natural Finish



Venetian Gray - Honed Finish



Tuscan Cream - Honed Finish

*Variations in color and shade are inherent in all printing processes, the actual colors may vary slightly from those shown in this brochure. Please visit your local dealer to view a sample.*





BLT-IN-5124 Electric Fireplace in Tuscan Cream, Classico finish concrete face with Clear fire glass



*simply brilliant*

BLT-IN-5124 Electric Fireplace in Venetian Grey, Moderno finish concrete face with optional Sunset Orange fire glass

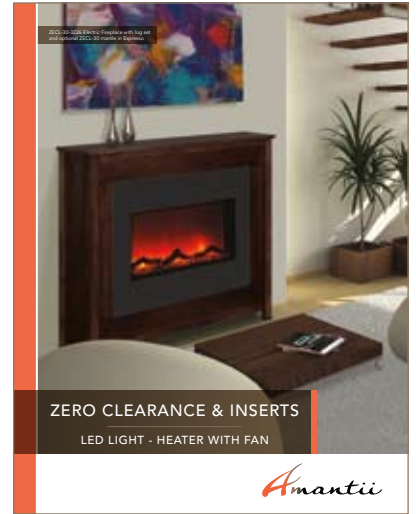
# AMANTII PRODUCT LINE



Wall Mount & Built-In Electric Fireplaces



Designer Series Electric Fireplaces



Zero Clearance & Inserts Electric Fireplaces

Amantii produces a unique brand of electric fireplaces that combine the best elements of modern technology and traditional charm. Visit us at [www.amantii.com](http://www.amantii.com).



## ALL FIRED UP ABOUT OUR SPONSORSHIP

Amantii is proud to sponsor the Canned Heat Camaro. Canned Heat has been a trusted distributor of hearth industry products for more than 30 years.

# PRICE LIST

Part Number	Description	MSRP
-------------	-------------	------

## FIRE & ICE SERIES

### WALL MOUNT OR BUILT IN - 13 COLORS OF BACK LIGHTING

WM-BI-26-3623-WHTGLS	26" Electric Unit with 36" x 23" White Glass Surround	
WM-BI-34-4423-WHTGLS	34" Electric Unit with 44" x 23" White Glass Surround	
WM-BI-48-5823-WHTGLS	48" Electric Unit with 58" x 23" White Glass Surround	
WM-BI-72-8123-WHTGLS	72" Electric Unit with 81" x 23" White Glass Surround	

### \*NEW MODELS\* BLT-IN-ONLY - NOT WALL MOUNTABLE

BI-50-FLUSHMT-WHTGLS	50" Electric Unit w/ White Glass Surround <b>No Mood light</b>	
----------------------	--	--

NOTE: The 50" & 72" Deep units do not come with a white surround but do feature the newest Dual Flame blue flame presentation & come with **large clear glass nuggets, clear & blue diamond fire glass media & log set**

BI-50-DEEP	50" Electric Built-in only comes with optional Black Steel Surround	
BI-72-DEEP	72" Electric Built-In only comes with optional Black Steel Surround	

### ZERO CLEARANCE

ZECL-30-3226-WHTGLS	30" Zero Clearance Unit with 32" x 26" White Glass Surround	
ZECL-39-4134-WHTGLS	39" Zero Clearance Unit with 41" x 34" Black Glass Surround	

### INSERT

INSERT-30-4026-WHTGLS	30" Insert Electric Fireplace with 40" x 26" White Glass Surround	
-----------------------	---	--

## DESIGN SPECIALTIES SERIES

### ZERO CLEARANCE SERIES

ZECL-39-4134-MISSION	
ZECL-39-4134-BLKSMITH	
ARTFIN	
ZECL-39-4134-TWO-TONE	

### Overlay fits on both ZECL-39-4134 & ZECL-39-4134-WHTGLS

Mission style steel overlay only for ZECL-39-4134
Blacksmith style steel overlay only for ZECL-39-4134
Artisan Finish - <b>Add to price</b>
Two-tone Blacksmith style steel overlay in Metro Steel & Sierra Copper

### INSERT SERIES

INS-30-4026-MISSION	
INS-30-4026-BLKSMITH	
ARTFIN	
INS-30-4026-TWO-TONE	

### Overlay fits on both INSERT-30-4026 & INSERT-30-4026-WHTGLS

Mission style steel overlay only for INSERT-30-4026
Blacksmith style steel overlay only for INSERT-3046
Artisan Finish - <b>Add to price</b>
Two-tone Blacksmith style steel overlay in Metro Steel & Sierra Copper

### WM-BI SERIES

WM-BI-48-5823-MISSION	
WM-BI-48-5823-BLKSMITH	
ARTFIN	
WM-BI-48-5823-TWO-TONE	

### Overlay fits on both WM-BI-48-5823 & WM-BI-48-5823-WHTGLS

Mission style steel overlay for WM-BI-48-5823
Blacksmith style steel overlay only for WM-BI-48-5823
Artisan Finish - <b>Add to price</b>
Two-tone Blacksmith style steel overlay in Metro Steel & Sierra Copper

### BI-DEEP SERIES

BI-50-DEEP-SURROUND	
BI-72-DEEP-SURROUND	
ARTFIN	

Steel surround for BI-50-DEEP
Steel surround for BI-72-DEEP
Artisan Finish - <b>Add to price</b>

# PRICE LIST CONTINUED

Part Number	Description	MSRP
-------------	-------------	------

## WM-BI DESIGNER SERIES

WM-BI PROGRAMMABLE THERMOSTAT WITH ADVANCED FLAME PRESENTATION  
WALL MOUNT OR BUILT-IN W/LED LIGHT, HEATER WITH FAN

WM-BI-43-5123-GALLERYWHITE	43" Electric Unit with 51" x 23" Gallery White Steel Surround	
WM-BI-43-5123-CANDYAPPLERED	43" Electric Unit with 51" x 23" Candy Apple Red Steel Surround	
WM-BI-43-5123-COASTALBLUE	43" Electric Unit with 51" x 23" Coastal Blue Steel Surround	
WM-BI-43-5123-ARCHITECTSGRAY	43" Electric Unit with 51" x 23" Architects Gray Steel Surround	
WM-BI-43-5123-MODERNAUBURN	43" Electric Unit with 51" x 23" Modern Auburn Steel Surround	
WM-BI-43-5123-BLACK	43" Electric Unit with 51" x 23" Black Steel Surround	
WM-BI-58-6421-GALLERYWHITE	58" Electric Unit with 64" x 21" Gallery White Steel Surround	
WM-BI-58-6421-CANDYAPPLERED	58" Electric Unit with 64" x 21" Candy Apple Red Steel Surround	
WM-BI-58-6421-COASTALBLUE	58" Electric Unit with 64" x 21" Coastal Blue Steel Surround	
WM-BI-58-6421-ARCHITECTSGRAY	58" Electric Unit with 64" x 21" Architects Gray Steel Surround	
WM-BI-58-6421-MODERNAUBURN	58" Electric Unit with 64" x 21" Modern Auburn Steel Surround	
WM-BI-58-6421-BLACK	58" Electric Unit with 64" x 21" Black Steel Surround	

## BUILT-IN SERIES

WALL MOUNT OR BUILT-IN W/LED LIGHT, NO HEATER, NO FAN

### ARTISAN CONCRETE FACED SERIES

BLT-IN-5124-CLASSICO-TUSCANCREAM	39 3/8" Unit w/ 51" x 24" Tuscan Cream Natural Concrete Surround	
BLT-IN-5124-CLASSICO-VENETIANGREY	39 3/8" Unit w/ 51" x 24" Venetian Grey Natural Concrete Surround	
BLT-IN-5124-MODERNO-TUSCANCREAM	39 3/8" Unit w/ 51" x 24" Tuscan Cream Honed Concrete Surround	
BLT-IN-5124-MODERNO-VENETIANGREY	39 3/8" Unit w/ 51" X 24" Venetian Grey Honed Concrete Surround	

# Amantii

Phone: 888.406.8764  
Fax: 877.498.4206  
Web site: [www.amantii.com](http://www.amantii.com)



Distributed By:



Intertek