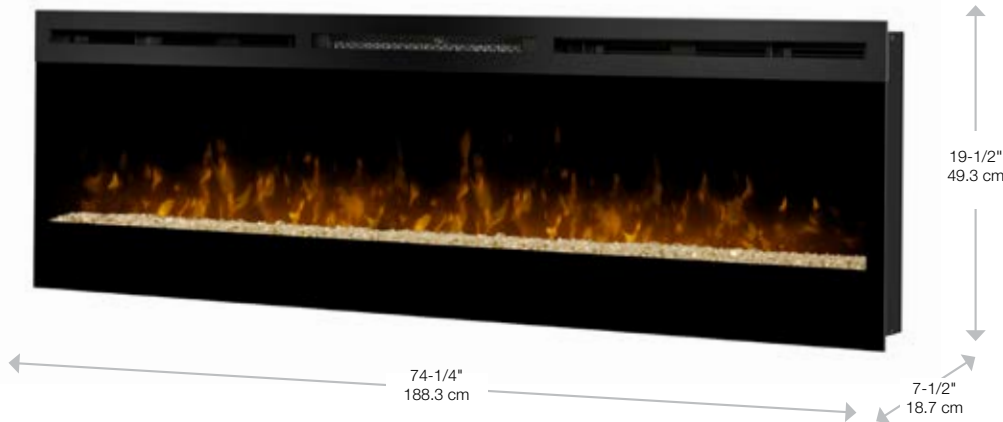


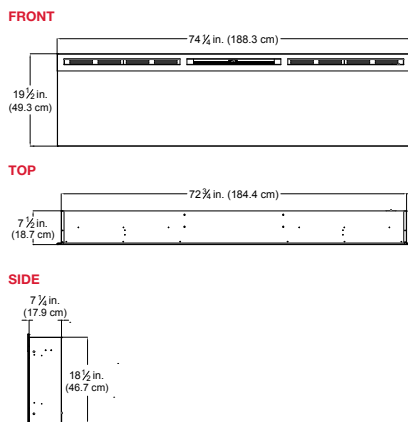
# Dimplex®

Better solutions through innovation

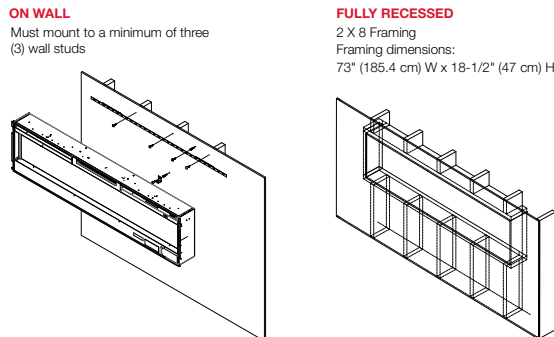
## Galveston Wall-mount Fireplace



### Dimensions



### Installation - 2 Mounting Options



The Dimplex LED flame dances on a bed of crushed and silvered glass pieces creating a stunning effect that cannot be matched. The heat that warms your room comes from the front of the fireplace allowing our sleek and elegant design to be installed **snug to the wall**. This incredible fireplace can be recessed into or mounted onto a wall. Versatile and beautiful.

120 Volts / 1,230 Watts / 4,198 BTU  
240 Volts / 2,430 Watts / 8,290 BTU

Model #	Description	Lbs / Kg	UPC	Wty. <sup>†</sup>	Carton Dimensions (WxHxD)		Cube	
					Inches	cm	ft <sup>3</sup>	m <sup>3</sup>
Package consists of one carton:								
BLF74	Wall-mount fireplace	140 / 63.6	781052 083523	2 yr.	80 x 23 x 12	203.2 x 58.4 x 30.5	12.8	0.4

Specifications, finishes and dimensions are subject to change. <sup>†</sup>Limited warranty ©2014 Dimplex North America Limited.

## BLF74

### Features

- Flame**  
A blend of technology, artistry and craftsmanship – the patented Dimplex LED flame technology creates the illusion of a true fire.
- Media Bed**  
Tumbled glass ember bed pieces that are colored and silvered on one side for an alluring effect.
- Supplemental Heat**  
Includes a powerful fan-forced heater designed to keep the rooms you spend the most time in warm and comfortable. Reduce your central furnace temperature and cut your heating costs!
- Remote**  
Includes a convenient remote control for ease of use at your fingertips.
- Year-round Enjoyment**  
Enjoy the ambiance of the flame with or without the heater for year-round enjoyment.
- Safe**  
Front glass stays cool, making it safe to touch.
- Economical**  
Economical to operate. Costing only pennies per hour.\*
- Green**  
The green alternative. No harmful particulates or emissions and 100% efficient.
- Instant Ambiance**  
Plugs into any standard household outlet.
- Direct Wire Capabilities**  
Can be direct-wired for a seamless look.
- Quick Assembly**  
Sets up in minutes with step-by-step assembly instructions allowing you more time to enjoy your fireplace.

\* Based on national average residential electricity rate. Rates vary.