



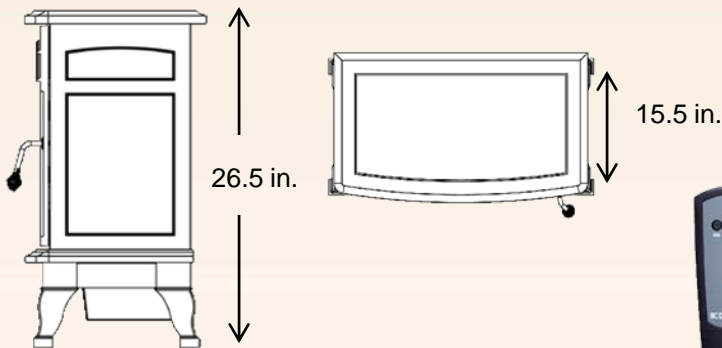
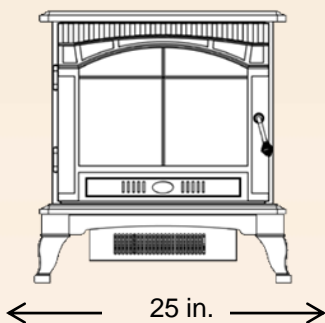
Better solutions through innovation

Traditional Electric Stove

DS5629

Stove

This electric stove gives the instant ambiance of a traditional fireplace experience that is ideal for condominiums, lofts, apartments or single homes. It features a classic black finish that will compliment any décor. With its spring door handle, gracefully swept legs and carved side panels, it brings a smooth comfort into any room.



Includes on / off remote control



No carbon monoxide or emissions, glass stays cool-to-touch

Model #	Description	lbs / kg	UPC	Wty. [†]	Carton Dimensions (W x H x D)		Cube	
					Inches	cm	ft ³	m ³
DS5629	Deluxe black finish free-standing electric stove. 120 V / 1,500 W / 4,915 BTU	56 / 25.4	781052 046917	1 yr.	27.5 x 29 x 17.75	69.9 x 73.7 x 45.1	8.2	0.23
Ships in one carton.								

Specifications, finishes and dimensions are subject to change. Patent protected: for a complete list of applicable patents visit www.dimplex.com/patents.
[†]Based on average national residential electricity rates. Rates vary. [†]Limited warranty © 2010 Dimplex North America Limited.