

INSTRUCTIONS FOR B F R P HEATERS

**THESE HEATERS ARE TESTED AND LISTED BY APPLIED RESEARCH LABORATORIES FOR USE INSIDE THE FOLLOWING AIR HANDLER EQUIPMENT SERIES:
F-RP, F-RC, F-FP, F-FC, F-FV, N-AH, N-VS**

The dash is replaced by numbers or letters for each brand:
York (Unitary Products Group), Stellar 2000, Stellar Plus, HRA series, HRC series, HRE series, Cooler-10, Cooler-12, Cooler-14,
Air Pro, Evcon, Coleman, Luxaire, Kenmore, NCP, & Moncrief
Air Handler model numbers vary using either MBTU or CFM (x 100).

APPLICATIONS: UP FLOW, HORIZONTAL OR DOWNFLOW

**** ZERO CLEARANCE **
(INSTEAD OF 1" SHOWN ON AIR HANDLER)**

MAXIMUM ELECTRIC HEAT APPLICATION CHART:

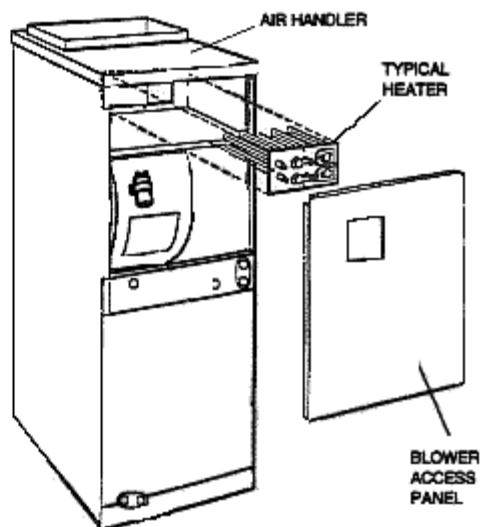
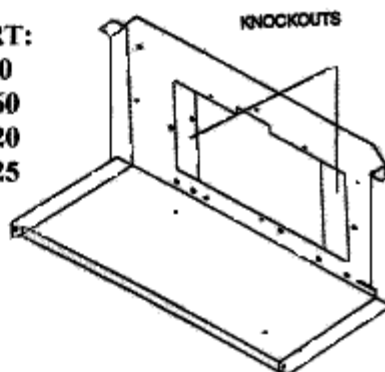
Tonnage:	1.5	2.0	2.5	3.0	3.5	4.0	5.0
MBTU :	018	024	030	036	042	048	060
CFM x100:	06	08	010	012	014	016	020
MAX. KW	7.5	10	15	15	15	25	25

Installation is easier prior to duct connection.
Remove blower access panel. Insert heater.
Be sure to engage support rod through hole at back of discharge section. Secure heater with screws.

Heaters over 15KW are used in 4 & 5 ton only.
The higher KW heaters require the removal of the extra knockouts on each side of heater opening.
They do not use a support rod into the rear.

Connect the 4 cell plug to the printed circuit board in the air handler. Connect Common and Heat (W1 and/or W2) wire from heater to thermostat screw terminal connection board.

Insert 6 cell plug with jumper wire in printed circuit board. Without the plug fan may run constantly!



[CLICK HERE FOR PAGE 2](#)

These units have a **COMBINED** electrical supply.

Fill out electrical label provided and attach to the exterior of the air handler near the unit electrical information label. To fill out the electrical label:

1. Add together the heater and blower motor amps; Multiply by 1.25 to get the **MINIMUM CIRCUIT AMPACITY**.
2. The next higher standard protection device is the **MAXIMUM CIRCUIT PROTECTION**. Standard devices are 10, 15, 20, 25, 30, 35, 40, 45, 50 & 60 amps.
3. Check off the KW of the heater provided. Fill in "other" if not shown.

All field wiring entering the compartment must be suitable for 75 C (167F). Use **COPPER WIRE ONLY**.

All wiring must be in accordance with National and Local Codes.

Example: Add a 8 KW, 240V, 1 phase heater to a 5 ton air handler.
 Heater amps (33.3) plus motor (4.3) = 37.6 amps
 37.6 X 1.25 = 47 Minimum Circuit Ampacity
 Next higher is 50 Amp Maximum Circuit Protection

Be sure to attach Heater Wiring Diagram inside the electrical compartment.

Be sure to replace all access panels.

ACCESSORY HEATER PACKAGE
 FOR: F-RP, F-RC, F-FP, F-FC
 F-FV, N-AH, N-VS

ZERO CLEARANCE

SINGLE PHASE

<u>KW</u>	<u>AMPS</u>
240/208V	240/208V
5 / 3.75	20.8 / 18
7.5 / 5.63	31.3 / 27
10 / 7.5	41.7 / 36
<input checked="" type="checkbox"/> 8 / <u> </u> OTHER	33.3 / <u> </u>

COMBINED SUPPLY

MINIMUM CIRCUIT AMPACITY 47 A
 MAXIMUM CIRCUIT PROTECTION 50 A

INSTALLER: Check box to indicate heater installed
 And fill in ampacity for supply.
 Place label next to A/C rating