



aerospace  
climate control  
electromechanical  
filtration  
**fluid & gas handling**  
hydraulics  
pneumatics  
process control  
sealing & shielding



# PUSH-TO-CONNECT FITTINGS

For Pneumatic Automation, Potable Water,  
and Aggressive Service Applications



ENGINEERING YOUR SUCCESS.

# Connecting you to higher productivity.

Improved throughput, increased efficiency, smaller footprints, faster assembly, and leak-free innovation.

Our technically superior push-to-connect fittings, valves, cartridges, tubing, and accessories have been designed to engineer your success, offering you new ways to create value. Our partnership approach allows us to work together to create the solutions you need to operate more efficiently and effectively.

## FOOD PROCESSING

Meeting Stringent Sanitary and Aseptic Standards



### Types of Applications

MIXING • BAKING • COOLING • PACKAGING • FILLING • WASHING • LABELING • CONVEYING

### Performance Expectations

- FDA compliance
- Hygienic design
- Compact
- Highly reliable
- Ability to work in vacuum
- Wide range of chemical compatibility
- Ability to withstand high temperatures
- Detectability

### Applicable Products

**NEW!** Prestolok® PLM Metal Fittings  
**NEW!** Prestolok® PLS Stainless Steel Fittings  
LIQUIfit™ Fittings  
Flow Controls

## WATER AND BEVERAGE

Keeping it Clean, Keeping it Safe



### Types of Applications

FILTRATION • PURIFICATION • PROCESSING • DISPENSING • BOTTLING • TREATMENT

### Performance Expectations

- Manufactured from FDA-compliant materials
- Meet NSF-61 requirements for potable water contact
- Excellent chemical resistance
- Wide range of fluid compatibility
- Mechanical resistance
- Installation flexibility

### Applicable Products

LIQUIfit™ Fittings  
TrueSeal™ Thermoplastic Fittings  
Flow Controls

## PETROCHEMICAL

Improving Durability, Lessening Risk



### Types of Applications

PROCESSING • TRANSFERRING • PNEUMATIC CIRCUITS • COOLING • MEASURING

### Performance Expectations

- High chemical resistance
- Robust design
- Wide temperature range
- Quality traceability

### Applicable Products

**NEW!** Prestolok® PLM Metal Fittings  
**NEW!** Prestolok® PLS Stainless Steel Fittings  
Prestolok® PLP Metal Fittings  
TrueSeal™ Kynar® Fittings  
Flow Controls

## LIFE SCIENCE

Collaborating for Leak-Free Innovation



### Types of Applications

OXYGEN TRANSFER • FLUID TRANSFER • DISPENSING • CLEANING AND STERILIZATION • PNEUMATIC CIRCUITS

### Performance Expectations

- Quality traceability
- Cleanliness
- Compact design
- Suitable for use with O<sub>2</sub>
- High reliability
- Installation flexibility

### Applicable Products

Prestolok® PLP Composite Fittings  
**NEW!** Prestolok® PLM Metal Fittings  
**NEW!** Prestolok® PLS Stainless Steel Fittings  
LIQUIfit™ Fittings  
Flow Controls

## FACTORY/PROCESS AUTOMATION

Increasing Performance, Standardizing Inventory



### Types of Applications

PROCESSING • TRANSFERRING • PNEUMATIC CIRCUITS • COOLING • MEASURING

### Performance Expectations

- Compact design
- Weld splatter resistance
- Robustness
- Vacuum performance
- High reliability
- Mechanical resistance
- Installation flexibility

### Applicable Products

Prestolok® PLP Metal Fittings  
Prestolok® PLP Composite Fittings  
**NEW!** Prestolok® PLM Metal Fittings  
**NEW!** Prestolok® PLS Stainless Steel Fittings  
LIQUIfit™ Fittings  
TrueSeal™ Thermoplastic Fittings  
Flow Controls

**NEW!**

### PRESTOLOK® PLM METAL FITTINGS



**Product Features:**

- High phosphorus, FDA-compliant, chemical-resistant, nickel-plated collet and body
- FKM seal
- Chemical, corrosion, and abrasion resistance
- NPT, BSPT, BSPP, and metric threads

**Markets:** Industrial, Chemical, Life Science, Automation, Food Processing

**Applications:** Food fluids, harsh detergents, cleaning in cold/hot water, steam, oils

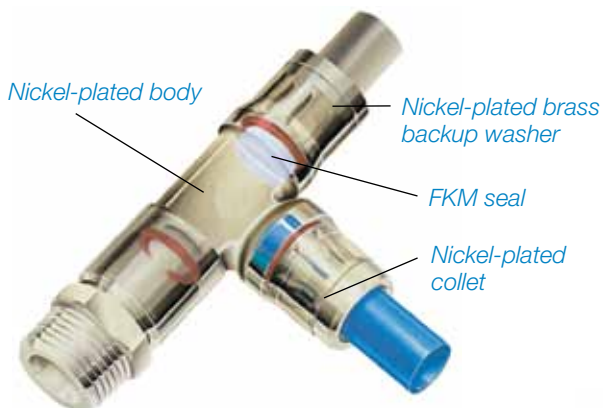
#### COMPATIBLE TUBING

Polyethylene

Polyurethane 95 Durometer Shore A

FEP

Nylon



**NEW!**

### PRESTOLOK® PLS FITTINGS



**Product Features:**

- Stainless steel 303L collet
- Stainless steel 316L body
- FKM seal
- Stainless steel 316L backup washer
- Chemical, corrosion, and abrasion resistance
- Hygienic design reduces retention zones for easy cleaning
- NPT, BSPT, BSPP, and metric threads

**Markets:** Petrochemical, Life Science, Pulp & Paper, Food Processing, Wash Down

**Applications:** Food fluids, chemicals, cleaning agents

#### COMPATIBLE TUBING

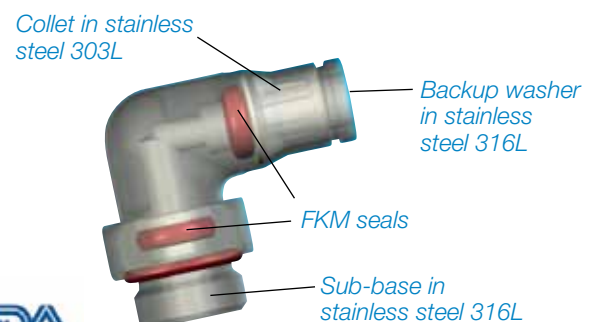
Semi-rigid nylon

Polyethylene

Polyurethane 95 Durometer Shore A

Stainless steel (grooved)

Copper (grooved)



# PRESTOLOK® PLP Metal and Composite Fittings

## PRESTOLOK® PLP METAL FITTINGS



### Product Features:

- Stainless steel grab ring
- Nickel-plated brass body
- Nitrile seal
- Polyacetal release button
- Corrosion resistance
- NPT, BSPT, BSPP, and metric threads

**Markets:** Industrial, Automotive, Climate Control, Welding, Packaging

**Applications:** Air, oil, inert gases, vacuum

### COMPATIBLE TUBING

Polyethylene

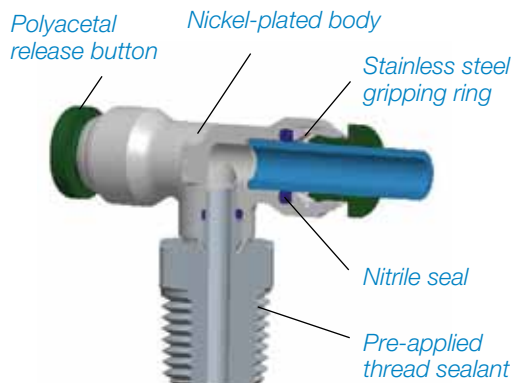
Polypropylene

Plasticized nylon

Unplasticized nylon

Polyurethane 90 Durometer Shore A

Polyurethane 95 Durometer Shore A



## PRESTOLOK® PLP COMPOSITE FITTINGS



### Product Features:

- Stainless steel grab ring
- Glass-reinforced nylon 6.6 body
- Nitrile D-seal
- Nylon release button
- Corrosion and chemical resistance
- NPT, BSPT, BSPP, and metric threads

**Markets:** Pneumatic, Industrial, Robotic, Automation, Printing, Packaging, Textile

**Applications:** Air, cutting fluids, inert gases, vacuum

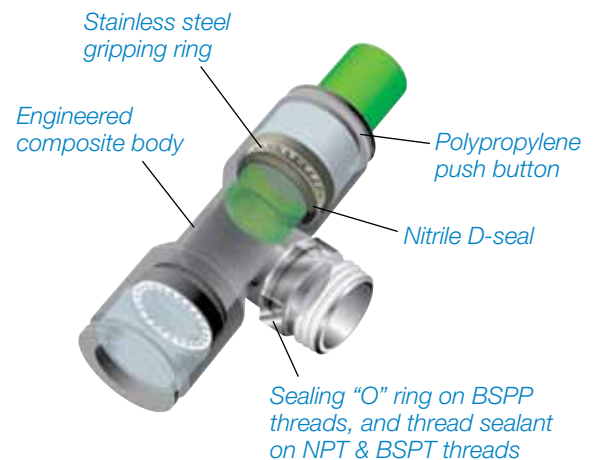
### COMPATIBLE TUBING

Semi-rigid nylon

Polyurethane 95 Durometer Shore A

Nylon

Fluoropolymer



# How to Order

## PRESTOLOK® PLM, PLS, PLP Metal, and PLP Composite Fittings

### INCHES PRESTOLOK® PLM, PLS, PLP, AND COMPOSITE FITTINGS

W 3 69 PLP BJ -4 -2  
**A B C D E F G**

#### **A** Thread Sealant

W White Acrylic  
 VS Vibra Seal  
 Blank No Sealant

#### **B** Body Material

1 Metal Forging  
 3 Composite

#### **C** Fitting Configuration

62 Union Y  
 66 Female Connector  
 68 Male Connector  
 70 Female Elbow  
 64 Union Tee  
 65 Union Elbow  
 69 Male Elbow  
 71 Male Run Tee  
 72 Male Branch Tee  
 47 Cross  
 79 45° Elbow  
 22 Barbed Connector  
 32 Union  
 24 Multiple Tee  
 67 Tube Reducer  
 639 Plug

#### **D** Fitting Series

PLP Prestolok Plus & Prestolok Composite  
 PLM Prestolok All Metal  
 PLS Prestolok Stainless Steel

#### **E** Fitting Description

X Extended Male Elbow  
 SP Standpipe  
 PD Double Y  
 BJ Banjo  
 TJ Twin Banjo  
 DJ Double Banjo  
 BH Bulkhead Union  
 DSP Plug-in Multiple Y  
 RC Rail Connector  
 DRC Double Rail Connector  
 BHP Plug-in Bulkhead

### METRIC PRESTOLOK® PLM, PLS, PLP, AND COMPOSITE FITTINGS

W 3 69 PLP X 6M 2 R  
**A B C D E F G H**

#### **F** Tube Size

Inches		Metric	
2	1/8	4M	4mm
3	3/16	6M	6mm
5/32	5/32	8M	8mm
4	1/4	10M	10mm
5	5/16	12M	12mm
6	3/8	14M	14mm
8	1/2		

#### **H** Thread Type

**Metric**  
 R BSPT  
 G BSPP

#### **G** Thread Size

Inches		Metric	
0	10-32	2	1/8
1	1/16	4	1/4
2	1/8	6	3/8
4	1/4	8	1/2
6	3/8	M3	M3X0.5
8	1/2	M5	M5X0.8
		M7	M7X1
		M10	M10X1
		M12	M12X1.5

### METRIC PRESTOLOK® PLP METAL

C 63 P B 6 1/4  
**A B C D E F**

#### **A** Fitting Configuration

H Union  
 W Bulkhead  
 G Female Connector  
 F Male Connector  
 J Union Tee  
 E Union Elbow  
 WE Elbow Bulkhead  
 C Elbow  
 R Run Tee  
 S Branch Tee  
 COR Banjo  
 SC Banjo Bolt  
 TR Tube End Reducer  
 TE Tube End Expander  
 FN Plug

#### **B** Thread Type

Blank NPT  
 3 BSPT (Male only)  
 4 BSPP (Male or Female)  
 8 Metric Parallel  
 63 Swivel with BSPT  
 64 Swivel with BSPP  
 68 Swivel with Metric Taper

#### **C** Fitting Type

P Prestolok

#### **D** Fitting Material

B Brass

#### **E** Tube Size

4 4mm  
 6 6mm  
 8 8mm  
 10 10mm  
 12 12mm  
 14 14mm  
 16 16mm  
 18 18mm  
 20 20mm  
 22 22mm

#### **F** Thread Size

1/16  
 1/8  
 1/4  
 3/8  
 1/2  
 3/4  
 M3X0.5  
 M5X0.8  
 M10X1  
 M12X1.5  
 M14X1.5  
 M16X1.5  
 M18X1.5  
 M22X1.5

# Fitting Specifications

## Temperature/Pressure

Product Line	Temperature	Tube Sizes/PSI													
		1/8"	5/32"	3/16"	1/4"	5/16"	3/8"	1/2"	4mm	6mm	8mm	10mm	12mm	14mm	16mm
PLP Metal	0° to +200°F	300	300	300	300	300	300	300	300	300	300	300	300	300	
PLP Composite	-4° to +175°F	290	290	290	290	290	290	290	290	290	290	290	290	290	290
PLM	-4° to +250°F		290		290		290	290	290	290	290	290	290	290	
PLS	-4° to +245°F		290	290	290	290	290	290	290	290	290	290	290		
LIQUIfit™	35° to +200°F				230	230	190	160	230	230	230	190	160		
TrueSeal™															
Acetal	-20° to +180°F				300	300	300	250							
Polypropylene	0° to +225°F				150	150	150	150							
Kynar	0° to +275°F				300		300								

## Tubing Compatibility

Product Line	Metal Tubing			Parflex Thermoplastic Tubing													Parflex/Atlantic		Polyflex				
				Industrial Tubing Series													Fluoropolymer		Tubing				
	Copper	Aluminum	Stainless Steel	Polyethylene E & EB	Polyethylene PE	Polyethylene FRPE	Polyethylene HDPE	Nylon N	Nylon PAT	Nylon NR	Polypropylene PP & PPB	Polyurethane U (90-95 Shore A)	Polyurethane HU & HUM (>95 Shore A)	Polyurethane LU (<90 Shore A)	Polyurethane FR (Weld Tubing)	Clear Vinyl	PFA Fluoropolymer	FEP Fluoropolymer	PTFE Fluoropolymer	PVDF Fluoropolymer	TPU Polyurethane	Polyethylene	
PLM	G	G																					
PLS	G	G	G																				
PLP Metal																							
PLP Composite																							
LIQUIfit™																							
TrueSeal™	MG								MG		TS	TS			TS								

- Compatible
- MG Metal Gripper Collet
- TS Tube Support Recommended
- G Tubing must be Grooved

## LIQUIFIT™



### Product Features:

- Stainless steel grab ring
- Engineered polymer body
- EPDM D-seal
- No pumping effect
- NPT, BSPT threads

**Markets:** Water Filtration, Beverage Dispensing, Life Science, Bottling

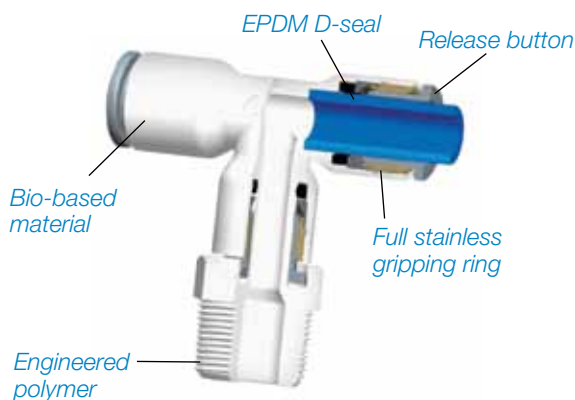
**Applications:** Water, beverages, food, CO<sub>2</sub>

### COMPATIBLE TUBING

Polyethylene

Polypropylene

Nylon



## How to Order

### INCHES LIQUIFIT™

6505	56	11	W	P2
<b>A</b>	<b>B</b>	<b>C</b>	<b>D</b>	<b>E</b>

### METRIC LIQUIFIT™

6509	06	13	W	P2
<b>A</b>	<b>B</b>	<b>C</b>	<b>D</b>	<b>E</b>

#### A Fitting Configuration

6505 Male Connector	6351 End Stop
6315 Female Connector	6521 Stem Adapter
6306 Union Connector	6509 Swivel Elbow
6404 Union Tee	6508 Swivel Branch Tee
6316 Bulkhead Union	6382 Plug-in Elbow
6579 Fixed Elbow	6383 Plug-in Run Tee
6353 Faucet Connector	6326 Plug
6302 Union Elbow	6322 Stem to Hose Barb
6340 Union Y Connector	6503 Swivel Run Tee
6366 Reducer	6548 Swivel Y Connector
6388 Plug-in Tee	6380 Plug-in 45° Elbow
6307 Cross	

#### B Tube/Stem Size

Inches	Metric
11	4mm
56	6mm
08	8mm
60	10mm
62	12mm

#### C Thread or Tube OD

Inches	Metric
00	Same Size as Tube
11	4mm
14	6mm
18	8mm
22	10mm
133	12mm
	14mm
	13mm
	17mm
	21mm

#### D Color Code

W	White
G	Gray

#### E Packaging

P2	Standard Packaging
----	--------------------



## TRUESEAL™



### Product Features:

- Metal gripper collet with stainless steel bite edge
- Acetal, polypropylene, and Kynar body material; EPDM seal in acetal and polypropylene fluorocarbon in Kynar material
- Push button release
- NPT threads

**Markets:** Food, Potable Water, Chemical, Filtration

**Applications:** Air, water, soft drinks, beer, wine, dyes

### COMPATIBLE TUBING

Polyethylene

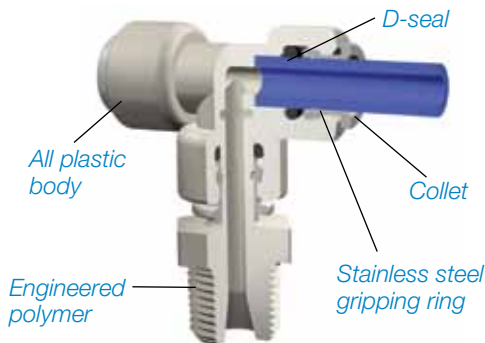
Polypropylene

Nylon

Vinyl

Fluoropolymer

Polyurethane



## How to Order

### INCHES TRUESEAL™

A 4 ME 2 -MG  
**A** **B** **C** **D** **E**

#### **A** Fitting Material

A Acetal  
 PP Polypropylene  
 F Kynar

#### **B** Tube Size

4 1/4  
 5 5/16  
 6 3/8  
 8 1/2

#### **C** Fitting Configuration

MC	Male Connector	TMC	Tube Stem Adapter
EU	Elbow Union	BU	Bulkhead Union
TU	Tee Union	TEU	Tube Elbow Union
WY	"Y" Union	RD	Tube Reducer
MES	Male Elbow Swivel	CAP	Tube Cap
MRS	Male Run Swivel	FE	Female Elbow
MTS	Male Tee Swivel	ME	Male Elbow
UC	Union	ST	Straight Thread
CU	Cross	TCB	Tube-to-Barb Stem
FA	Faucet Adapter	TEB	Tube Elbow
FC	Female Connector		Barb Connector
FF	45° Female Flare	TPL	Plug

#### **D** Thread Size

2 1/8  
 4 1/4  
 6 3/8  
 7 7/16-24  
 8 1/2  
 9 9/16-18

#### **E** Gripper Material

MG Metal Gripper  
 Blank Plastic Gripper



### FLOW CONTROLS



#### Product Features:

- Control the speed of a pneumatic cylinder
- Adjustable restrictor controls the exhaust air flow; inlet flow is unrestricted full bore
- Can be placed in line or fitted to the cylinder; direct mounting onto the cylinder is preferred for more precise and constant flow regulation
- Compact, miniature, and swivel flow controls designed for reduced space applications
- Metal and stainless steel flow controls available for use in severe conditions (temperature, sparks, abrasion, etc.)

**Markets:** Factory/Process Automation, Life Science, Food Processing, Water and Beverage, Petrochemical

**Applications:** Packaging, filling, dispensing, bottling, pneumatic circuits

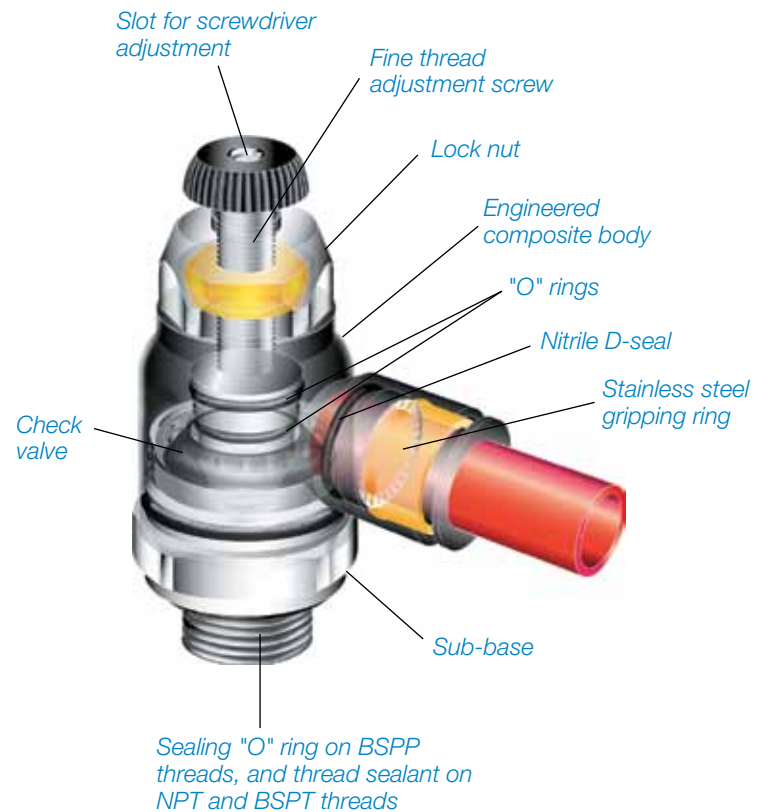
#### COMPATIBLE TUBING

Semi-rigid nylon

Polyurethane 95 Durometer Shore A

Nylon

Fluoropolymer



# Flow Control Specifications

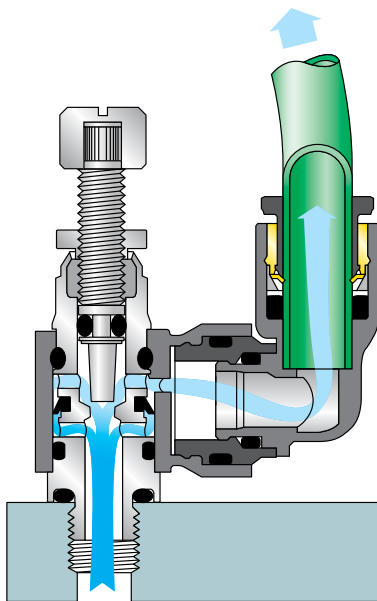
## Temperature/Pressure

Product	Temperature	Tube Sizes/PSI											
		1/8"	5/32"	1/4"	5/16"	3/8"	1/2"	4mm	6mm	8mm	10mm	12mm	14mm
90 Degree Models	30° to 160°F	145	145	145	145	145		145	145	145	145	145	145
Swivel Outlet Models	30° to 160°F		145	145		145		145	145	145	145	145	
In-line Models	30° to 160°F		145	145	145	145	145	145	145	145	145	145	
Plug-in Models	30° to 160°F	145	145	145				145	145	145	145	145	

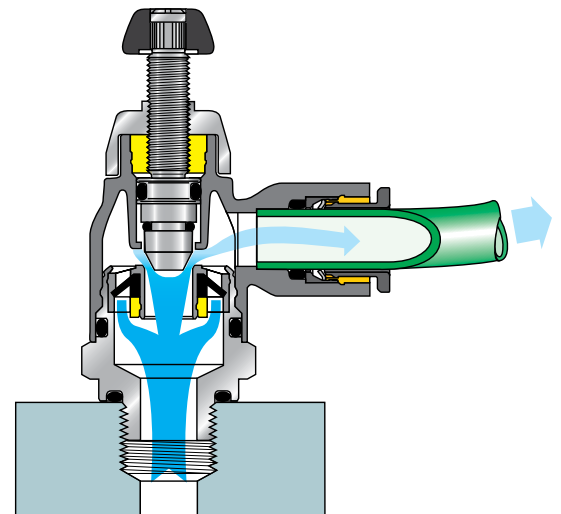
## Specifications

Product	Material			Size		Type of Adjustment		Types of Threads				
	Nylon	Brass	Stainless	Compact	Miniature	External Screw	Knobless	NPT	UNF	BSPT	BSPP	Metric
90 Degree Models												
Swivel Outlet Models												
In-line Models												
Plug-in Models												

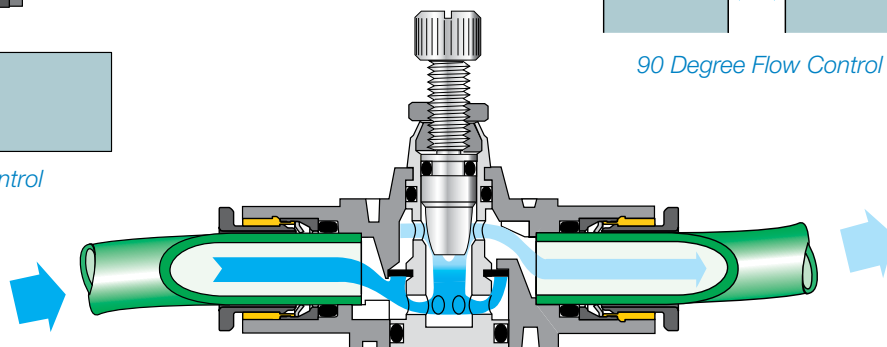
 Available



Swivel Outlet Flow Control



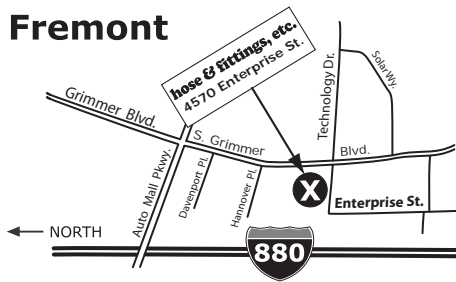
90 Degree Flow Control



In-line Flow Control

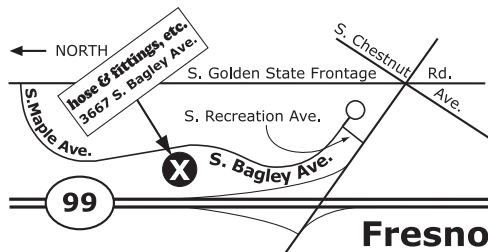
# Five convenient locations - same great service

## Fremont



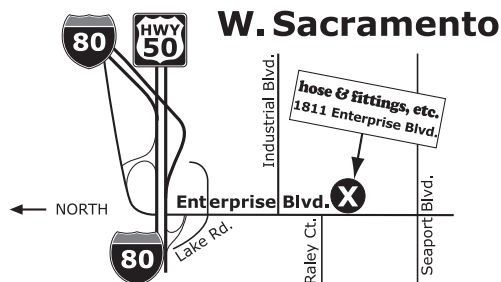
4570 Enterprise St.  
Fremont, CA 94538  
Phone: 510.661.0151  
Hours: 7 a.m. - 5 p.m. (M-F)

### QR Code



3667 South Bagley Ave., #102  
Fresno, CA 93725  
Phone: 559.495.1220  
Hours: 7 a.m. - 5 p.m. (M-F)

### QR Code

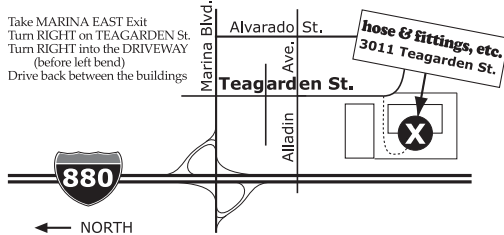


1811 Enterprise Blvd.  
West Sacramento, CA 95691  
Phone: 916.372.3888  
Hours: 7 a.m. - 5 p.m. (M-F)

### QR Code

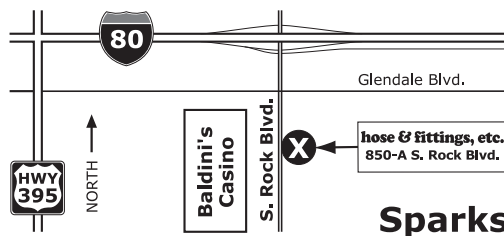


## San Leandro



3011 Teagarden St.  
San Leandro, CA 94577  
Phone: 510.352.1514  
Hours: 7 a.m. - 5 p.m. (M-F)

### QR Code



850-A South Rock Blvd.  
Sparks, NV 89431  
Phone: 775.331.4673  
Hours: 7 a.m. - 5 p.m. (M-F)

### QR Code



Phone: 888.715.4673  
E-mail: hfe@hfeweb.com  
**hfeweb.com**

