

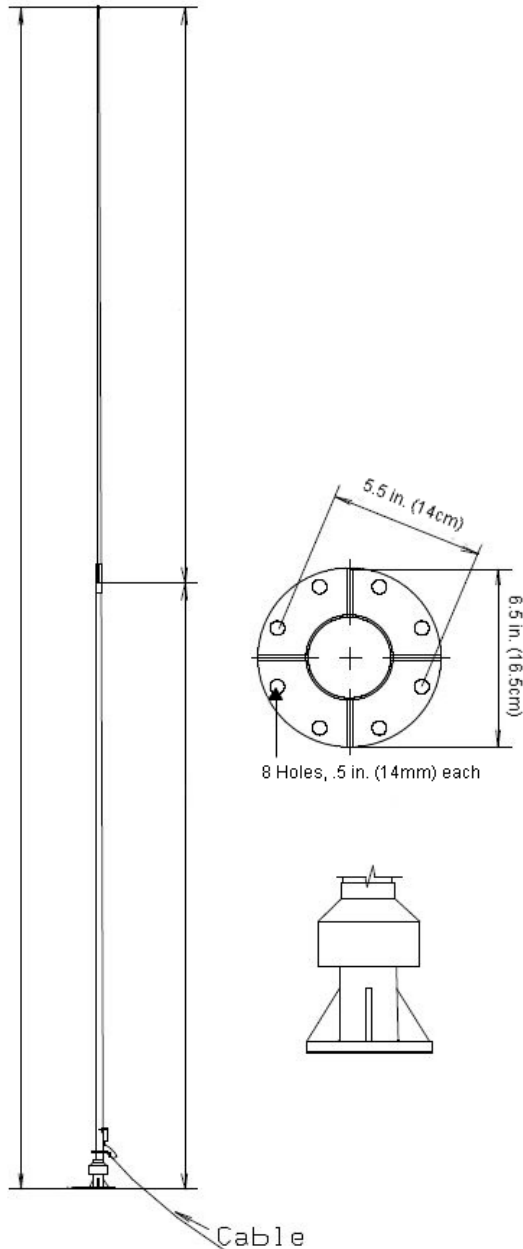


10m Fiberglass Whip Antenna

Part Number: SLF10068

SPECIFICATION SHEET

5055 Belmont, Beaumont, TX 77707
 Phone +409.842.1717/1.800.648.6158 (Toll Free in the US)
 Fax +409.842.2987
 sales@southernavionics.com



FEATURE	SPECIFICATION
Frequency Range	280 - 1800 kHz
Power Rating	1500 Watts PEP
Pattern	Omnidirectional
Polarization	Vertical
Electrical Length	16 ft. (5m)
Height	33 ft. (10m)
Weight	42 lbs (18.9 kg)
Wind Rating	125 mph (55m/s)
Moment of flexure	275kpm at 55m/s
Deflection due to wind load	17 ft. (5m) at tip ball at 55m/s wind load
Temperature Range	-55°C - +55°C
Optional	End Feed

Application:

The 10m Fiberglass Whip Antenna is a self supporting fiberglass transmitting antenna with side feed for marine NDB applications. Polyurethane lacquer finish (white).

It can be used in conjunction with a SAC PC-1000C/3 Antenna Tuning Unit and SE125 NDB Transmitter, with the addition of PCBs Filter Bridge M-Band Module (500 - 1250 kHz, SLE45210) and Filter Bridge H-Band Module (1500 - 1800 kHz, SLE45220). Using all the modules, a frequency range of 280 - 1800 kHz can be achieved.

The Antenna comes with a bronze flange for mounting. It can also be mounted directly to the deck. Optionally, it can be mounted with a tilting mechanism. (See the next page for mounting options)

*Information provided is subject to change without notice

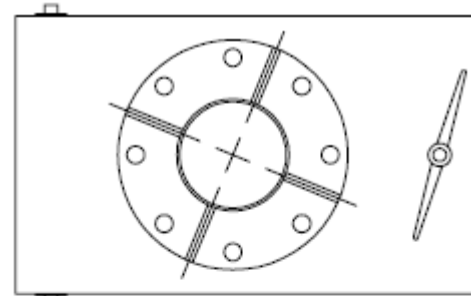
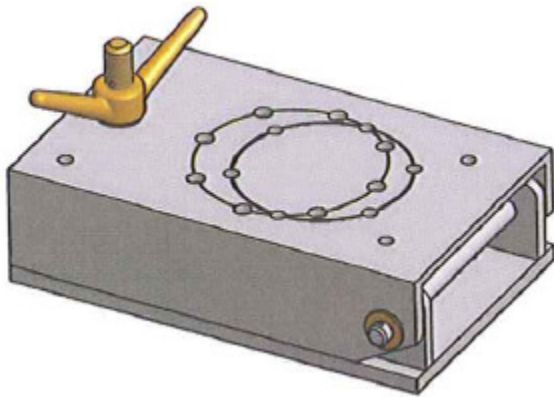
Mounting Options

Manual Tilting Mechanism

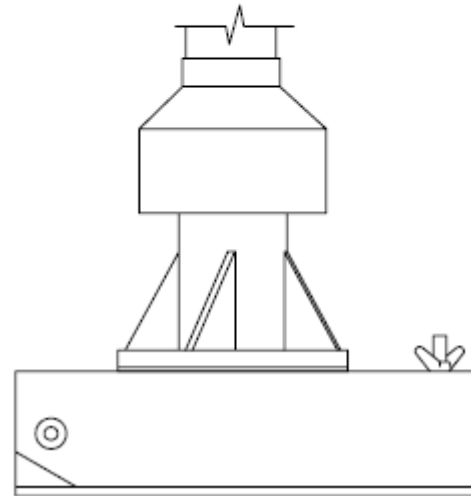
Part #: 9D180000

The Tilting Mechanism is designed for quick maintenance and repairs. The antenna can be lowered easily, without needing to dismount the antenna. The Tilting Mechanism is secured to the deck or a pedestal by 4, M12 bolts. The antenna itself is then mounted to the Mechanism by 8, M12 bolts. Hardware provided by the customer. Max tilting angle, 105°.

Weight: 35 lbs. (16kg)



TOP VIEW



SIDE VIEW

Offshore Installation

