

WORLD GUTTER SYSTEMS™ INC.

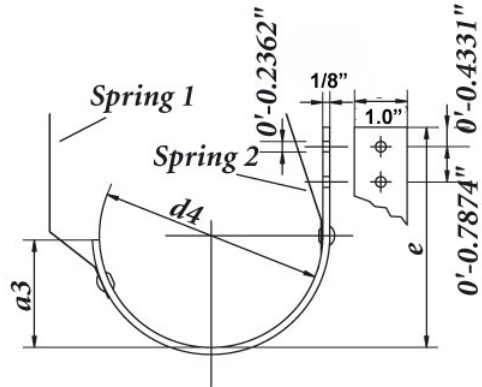
Superior Gutters Made Simple

Tel: (814) 455-7430 | Fax (814) 464-8838 | Email: sales@slateandcopper.com | Web: www.slateandcopper.com



PREMIUM QUALITY PRODUCTS

Standard Duty Copper Gutter Hanger



size	material thickness	material width	d4	a3	e
4"	0.157"	.942"	4.13"	2.00"	3.562"
5"	0.157"	.942"	5.00"	2.25"	4.5625"
6"	0.157"	.942"	6.02"	2.75"	5.125"

Standard Duty Copper Gutter Hanger

Size	Part #
4 INCH	ED4HF
5 INCH	ED5HF
6 INCH	ED6HF

Date	Invoice#	Project	Company	Architect