

PPC 036 SERIES SPECIFICATIONS

ELECTRICAL

Supply Voltage	18 to 28 VDC
Supply Current	50 to 350 mA
Command Signal.....	0 to 10V or 4 to 20 mA
Command Type.....	Single Ended or Differential
Command Signal.....	4.99K Ω \pm 1.0% (Voltage)
Input Impedance	312 Ω \pm 0.1% (Current)
Analog Monitor Symbol,AMS	0 to 10V, Single Ended
Logic Monitor Signal, LMS.....	Two Types of Signals (See How To Order)
EMI / RFI Protection	Common Mode and High Frequency Noise Reduction

PNEUMATIC

Inlet Pressure*.....	120 PSI Maximum (for 10-100 Output Pressure)
Fluids	Air or Inert Gases
Lubrication	Not Required. However, if used, a medium aniline point oil is recommended
Output Pressure.....	0 to 10, 30, 45, 60, and 100
Overall Accuracy	\pm 1.5% Full Scale \pm .5% Full Scale \pm 2.5% Full Scale \pm .25% Full Scale
Flow Cv.....	.25, .30
Ports	1/8", 1/4" Tube Receptacle
Minimum Closed End Volume.....	1.0 cu. in.

PHYSICAL

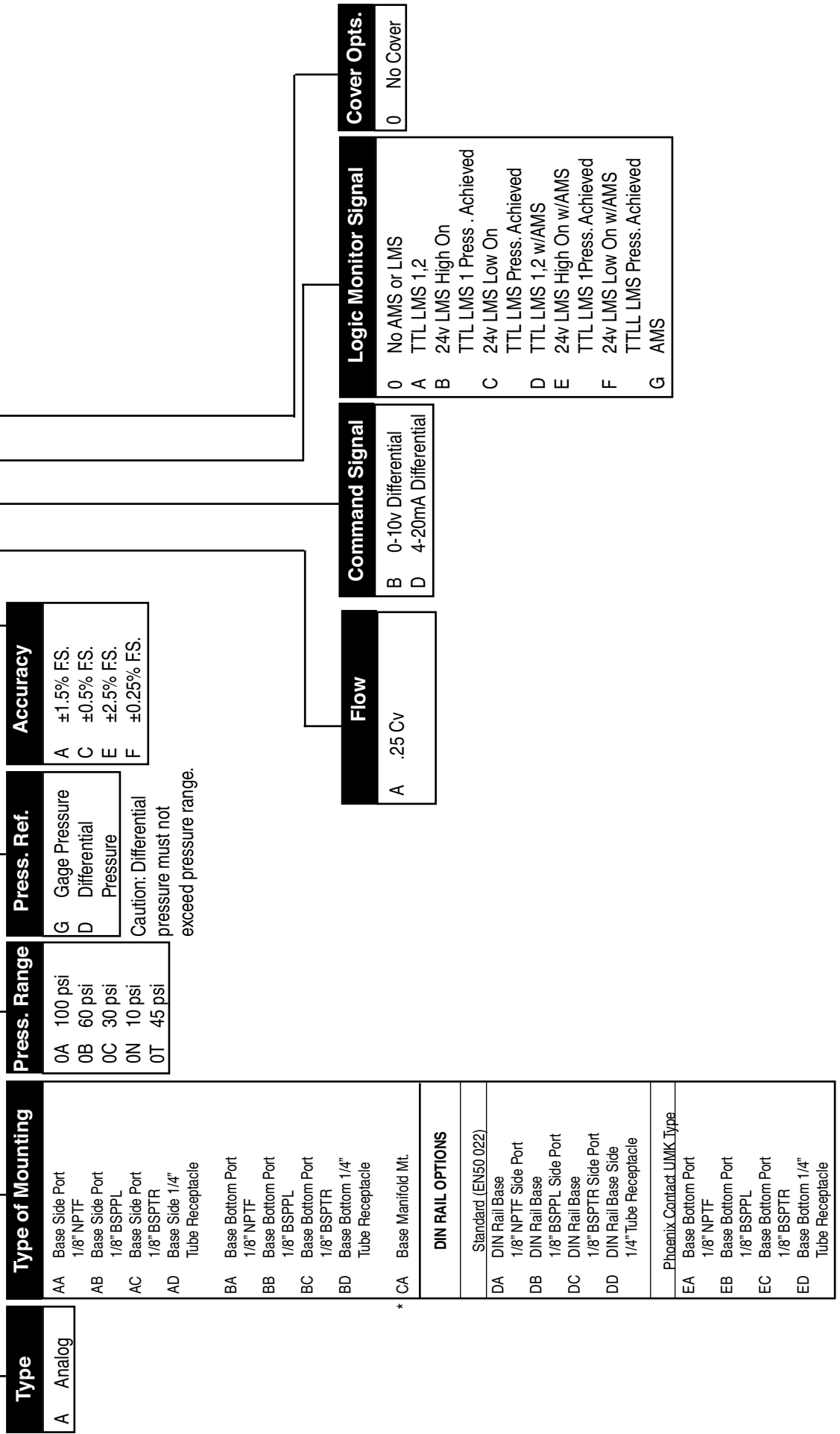
Enclosure.....	Aluminum Barstock, Sealed
Connector (Covered).....	3,5,6 or 7 Pin Plug-in or 7 Wire Grommet
Connector (Coverless)	Pin Terminal Block
Mounting.....	Any Plane
Vibration	Not Affected
Ambient Temperature Range	0 to 50°C (32° to 120°F)
Washdown (Covered Only).....	Standard

*20 psi Maximum Inlet for 10 psi Output Pressure.

How to Order - 36 Series PPC (Coverless)

PPC 036A - X XX - XX XX - X X X X - 9

Assembled to EPP Bar



Type
A Analog

Type of Mounting
AA Base Side Port 1/8" NPTF
AB Base Side Port 1/8" BSPPL
AC Base Side Port 1/8" BSPTR
AD Base Side 1/4" Tube Receptacle
BA Base Bottom Port 1/8" NPTF
BB Base Bottom Port 1/8" BSPPL
BC Base Bottom Port 1/8" BSPTR
BD Base Bottom 1/4" Tube Receptacle
* CA Base Manifold Mt.

Press. Range
0A 100 psi
0B 60 psi
0C 30 psi
0N 10 psi
0T 45 psi

Press. Ref.
G Gage Pressure
D Differential Pressure

Caution: Differential pressure must not exceed pressure range.

Accuracy
A ±1.5% FS.
C ±0.5% FS.
E ±2.5% FS.
F ±0.25% FS.

Flow
A .25 Cv

Command Signal
B 0-10v Differential
D 4-20mA Differential

Logic Monitor Signal
0 No AMS or LMS
A TTL LMS 1,2
B 24v LMS High On
C TTL LMS 1 Press. Achieved
D 24v LMS Low On
E TTL LMS Press. Achieved
F TTL LMS 1,2 w/AMS
G 24v LMS High On w/AMS
H TTL LMS 1 Press. Achieved
I 24v LMS Low On w/AMS
J TTL LMS Press. Achieved

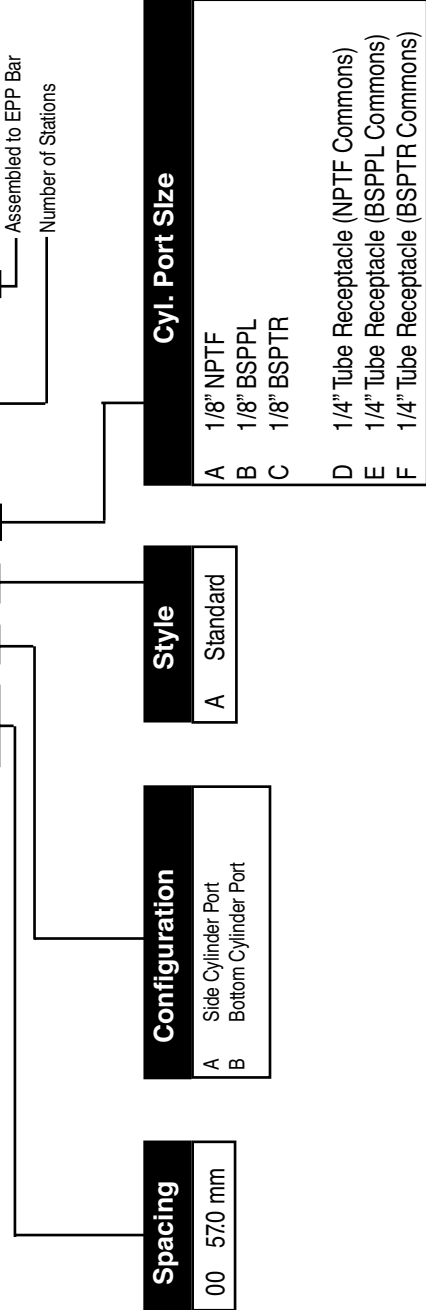
Cover Opts.
0 No Cover

DIN RAIL OPTIONS
Standard (EN50 022)
DA DIN Rail Base 1/8" NPTF Side Port
DB DIN Rail Base 1/8" BSPPL Side Port
DC DIN Rail Base 1/8" BSPTR Side Port
DD DIN Rail Base Side 1/4" Tube Receptacle
Phoenix Contact UMK Type
EA Base Bottom Port 1/8" NPTF
EB Base Bottom Port 1/8" BSPPL
EC Base Bottom Port 1/8" BSPTR
ED Base Bottom 1/4" Tube Receptacle

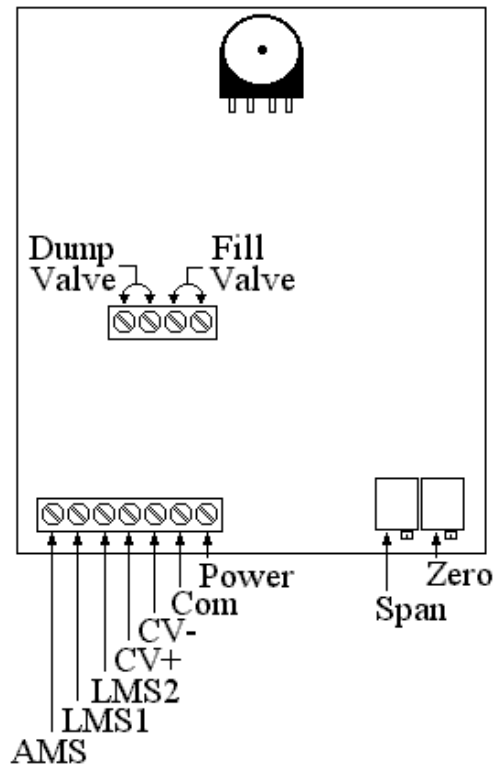
*See EPP 36A "How to Order"

How to Order - 36 Series EPP Circuit Bar

EPP 036A - XX X X X - XX - 9



COVERLESS PPC WIRING PIN OUT



AMS – ANALOG MONITOR SIGNAL

- 0-10 VDC FEEDBACK SIGNAL THAT PROVIDES A VOLTAGE PROPORTIONAL TO THE OUTPUT PRESSURE

LMS 1 – LOGIC MONITOR SIGNAL

- 5 VDC (TTL HIGH), 24 VDC (HIGH), 5 VDC (LOW), OR 24 VDC (LOW) “GO/ NO GO” FEEDBACK SIGNAL (DEPENDING ON REQUIREMENTS)

LMS 2 – LOGIC MONITOR SIGNAL

- 5 VDC (TTL LOW), 24 VDC (HIGH), OR 24 VDC (LOW) “GO / NO GO FEEDBACK SIGNAL (DEPENDING ON REQUIREMENTS)

CV+ - POSITIVE COMMAND SIGNAL

- POSITIVE LEAD FOR THE 0 – 10 VDC OR 4-20 MA COMMAND SIGNAL (DEPENDS ON REQUIREMENTS)

CV- - NEGATIVE COMMAND SIGNAL

- NEGATIVE LEAD FOR THE 0 – 10 VDC OR 4 –20 MA COMMAND SIGNAL (DEPENDS ON REQUIREMENTS)

COM – MAIN POWER COMMON

- COMMON LEAD FOR THE 24 VDC POWER

PWR – MAIN POWER

- POSITIVE LEAD FOR THE 24 VDC POWER

36 SERIES COVERLESS PPC

