

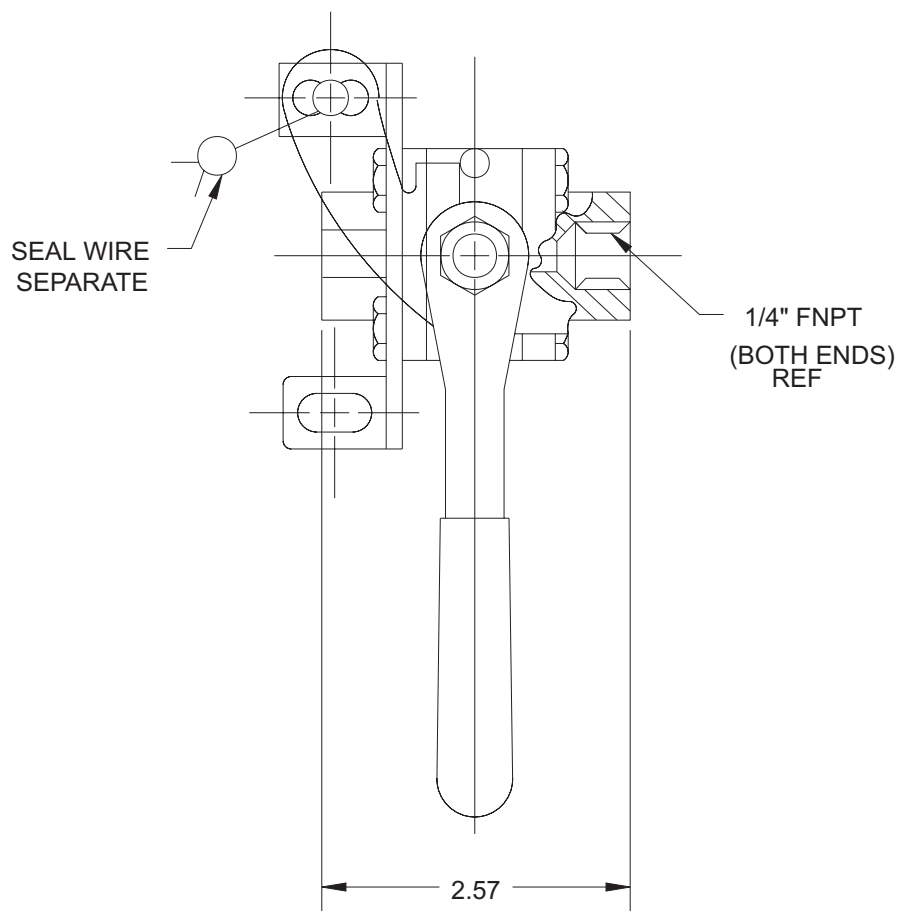
# CO<sub>2</sub> Component Description

Ball Valve, 1/4"

Effective: April 2002

K-81-5060

P/N: 283888



**MATERIAL: STAINLESS STEEL, TYPE 316**  
**OPERATING PRESSURE: -3000 PSIG @ 170°F (77°C)**  
**MINIMUM BURSTING PRESSURE: 10000 PSI (680 BARS)**

This literature is provided for informational purposes only. KIDDE-FENWAL, INC. assumes no responsibility for the product's suitability for a particular application. The product must be properly applied to work correctly.  
If you need more information on this product, or if you have a particular problem or question, contact KIDDE-FENWAL INC., Ashland, MA 01721. Telephone: (508) 881-2000

Kidde Fire Systems  
400 Main Street  
Ashland, MA 01721 USA  
Tel: (508) 881-2000  
Fax: (508) 881-8920  
<http://www.kiddefiresystems.com>