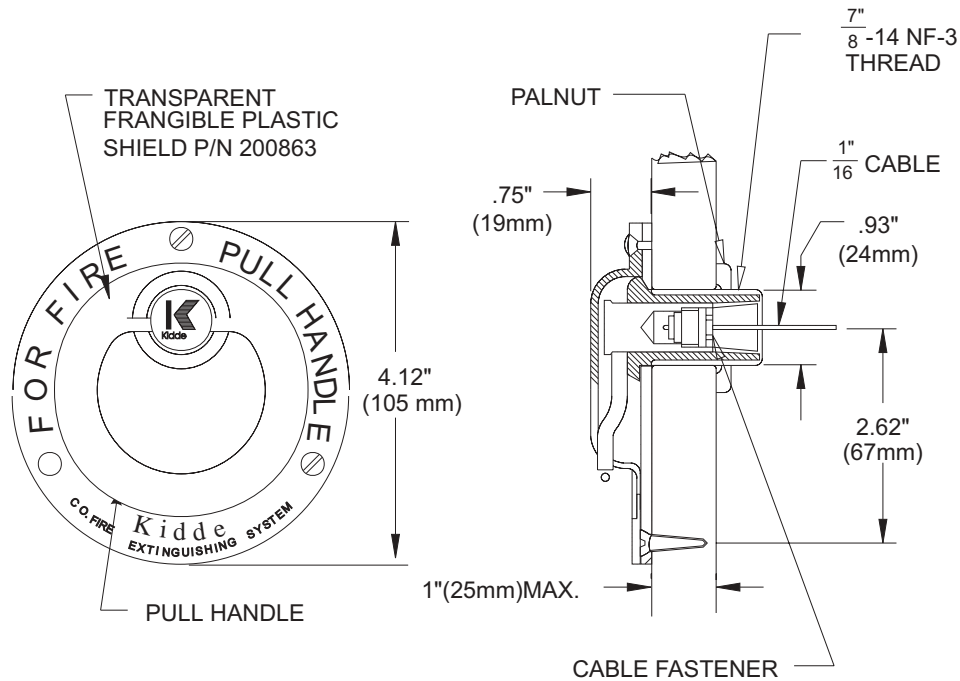


CO₂ Component Description

Flush Pull Box, Yacht Type

Effective: April 2002

K-81-6070



MATERIALS

FRANGIBLE SHIELD: LUCITE

BODY: BRASS

HANDLE STAINLES STEEL

MOUNTING HARDWARE PROVIDED:

3-10-32 FLAT HEAD SCREWS - 1/2 (13 MM) LONG

3-NO. 10 FLAT HEAD WOOD SCREWS (SHOWN) 3/4" (19MM) LONG

This literature is provided for informational purposes only. KIDDE-FENWAL, INC. assumes no responsibility for the product's suitability for a particular application. The product must be properly applied to work correctly. If you need more information on this product, or if you have a particular problem or question, contact KIDDE-FENWAL INC., Ashland, MA 01721. Telephone: (508) 881-2000