

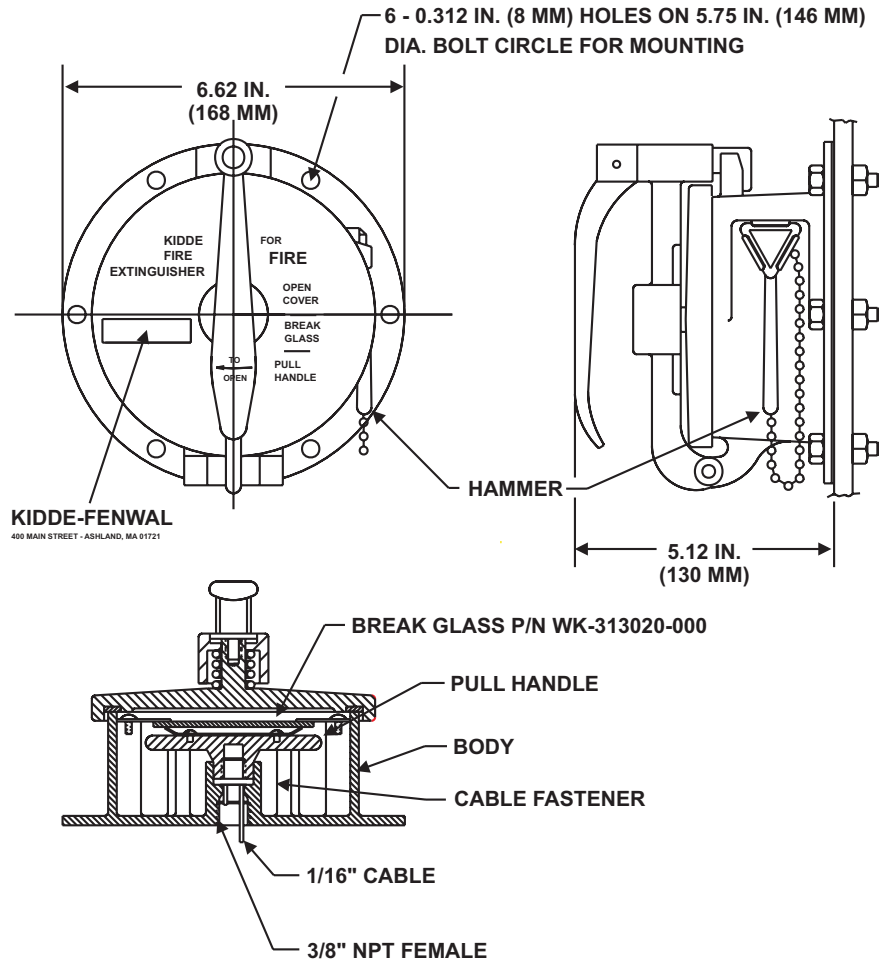
# CO<sub>2</sub> Component Description

## Watertight Pull Box

Effective: February 2007

**K-81-6060**

P/N: 870087



**FINISH: RED PAINT WITH BLACK RAISED LETTERS**

APPROVED BY NAVY DEPT. AS PER BU. SHIPS LETTER  
DD 692/593/CV 9/593 (648) OF 4-13-44  
BU. SHIPS DWG 59300-551627

This literature is provided for informational purposes only. KIDDE-FENWAL, INC. assumes no responsibility for the product's suitability for a particular application. The product must be properly applied to work correctly. If you need more information on this product, or if you have a particular problem or question, contact KIDDE-FENWAL, INC., Ashland, MA 01721. Telephone: (508) 881-2000.

Kidde Fire Systems  
A UTC Fire & Security Company  
400 Main Street  
Ashland, MA 01721  
Ph: 508.881.2000  
Fax: 508.881.8920  
[www.kiddefiresystems.com](http://www.kiddefiresystems.com)