

# CO<sub>2</sub> Component Description

Manifold "Y" Fitting (3 lb.)

 Kidde Fire Systems

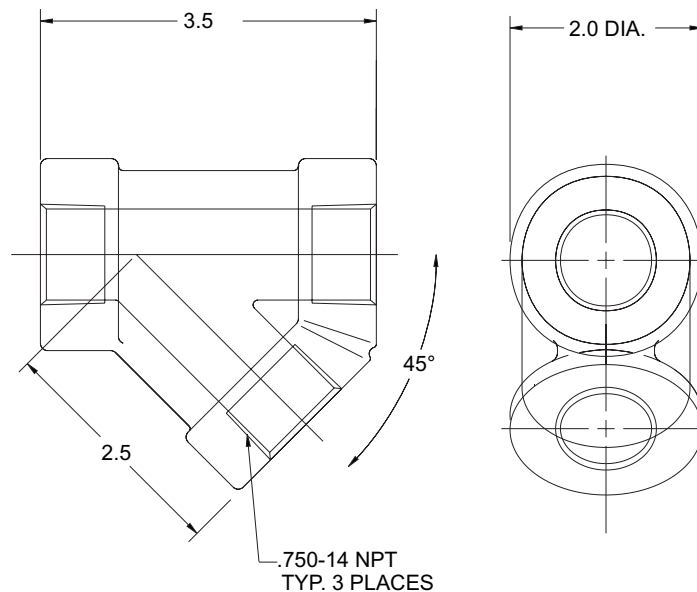
Effective: May 2002

K-86-3013

## FEATURES

- For use with Naval Specification CO<sub>2</sub> Systems
- Meets Requirements of U.S. Specification MIL-E-2185 & MIL-E-2186

P/N: 207877



ALL DIMENSIONS IN INCHES - FOR REFERENCE ONLY.

This literature is provided for informational purposes only. KIDDE-FENWAL, INC. assumes no responsibility for the product's suitability for a particular application. The product must be properly applied to work correctly. If you need more information on this product, or if you have a particular problem or question, contact KIDDE-FENWAL INC., Ashland, MA 01721. Telephone: (508) 881-2000