

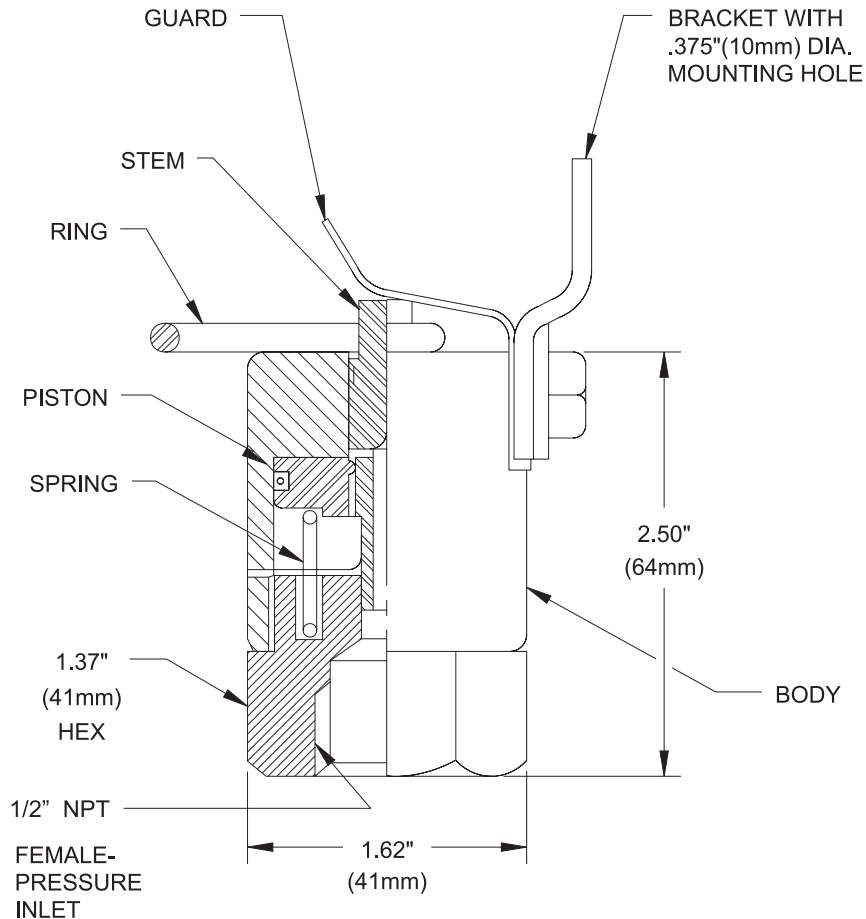
# CO<sub>2</sub> Component Description

Pressure Trip

Effective: April 2002

K-81-5200

P/N: 874290



## MATERIALS

**BODY, BRACKET & PISTON: BRASS**

**GUARD, STEM, RING & SPRING: STAINLESS STEEL**

## MAXIMUM LOAD

**ON RING: 100 LB. (45 KG)**

**MINIMUM NOMINAL**

**OPERATING PRESSURE: 50PSI (3.5 BARS)**

This literature is provided for informational purposes only. KIDDE-FENWAL, INC. assumes no responsibility for the product's suitability for a particular application. The product must be properly applied to work correctly. If you need more information on this product, or if you have a particular problem or question, contact KIDDE-FENWAL INC., Ashland, MA 01721. Telephone: (508) 881-2000

Kidde Fire Systems  
400 Main Street  
Ashland, MA 01721 USA  
Tel: (508) 881-2000  
Fax: (508) 881-8920  
<http://www.kiddefiresystems.com>