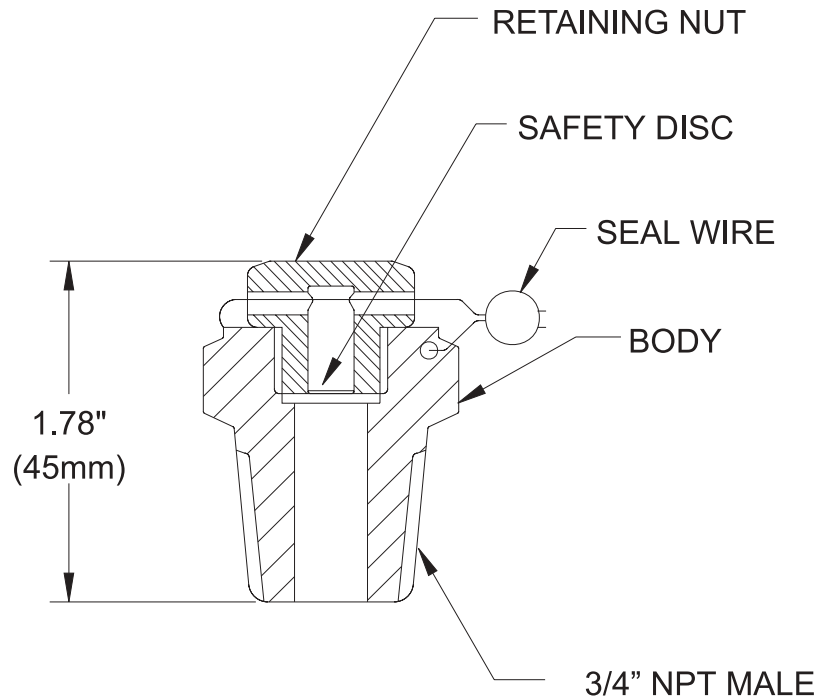


CO₂ Component Description

Safety Outlets

Effective: April 2002
K-81-5170

PART NUMBER	AGENT	PRESSURE RELIEF OPERATES AT	
		PSI	BARS
803242	N ₂ /CO ₂	2400-2800	166-193



MATERIALS

BODY AND RETAINING NUT: BRASS

SEAL WIRE: COPPER AND LEAD

This literature is provided for informational purposes only. KIDDE-FENWAL, INC. assumes no responsibility for the product's suitability for a particular application. The product must be properly applied to work correctly.
If you need more information on this product, or if you have a particular problem or question, contact KIDDE-FENWAL INC., Ashland, MA 01721. Telephone: (508) 881-2000

Kidde Fire Systems
400 Main Street
Ashland, MA 01721 USA
Tel: (508) 881-2000
Fax: (508) 881-8920
<http://www.kiddefiresystems.com>