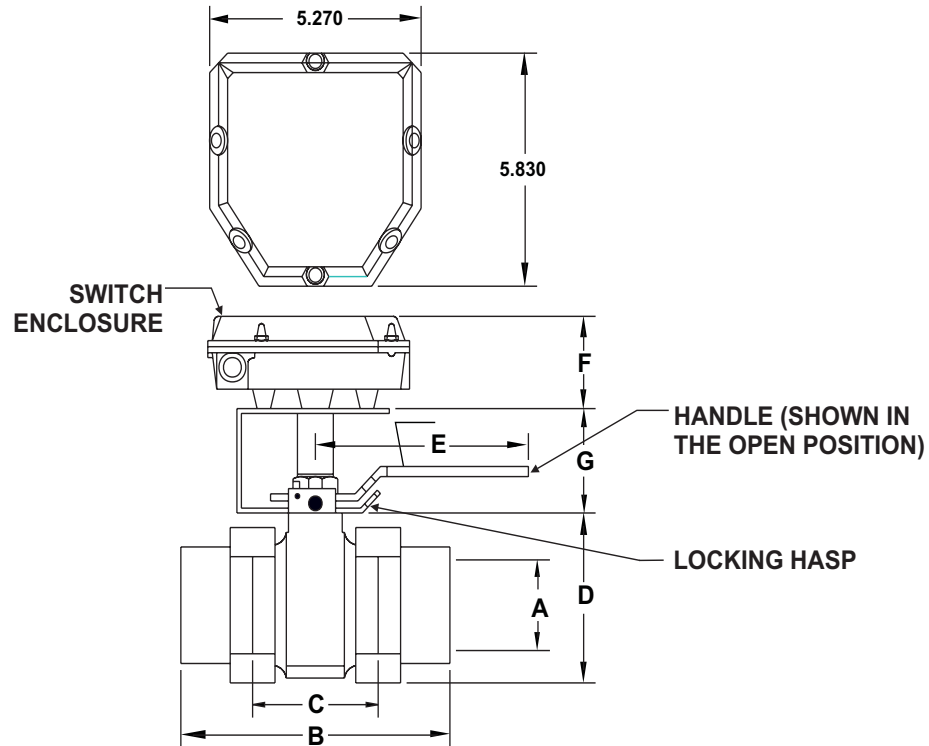


CO₂ Component Description

CO₂ Lock Out Valve With Limit Switch

Effective: February 2007
K-81-1250



Assembly Part Number	Size	General Dimensions						
		A	B	C	D	E	F	G
81-934711-000	1/2"	0.660	3.939	1.938	2.250	5.500	2.800	2.500
81-934712-000	3/4"	0.810	4.500	2.188	2.600	5.500	2.800	2.500
81-934713-000	1"	1.000	4.938	2.375	2.990	6.500	2.800	2.500
81-934714-000	1 1/2"	1.440	5.875	2.750	3.870	8.500	2.800	2.750
81-934715-000	2"	1.720	6.875	3.375	4.500	8.500	2.800	2.750

Note: Dimensions are in inches.

MATERIALS

- Body: Carbon Steel with:
 - Ball and Stem: 316 Stainless
 - Seats and Seals: Teflon
- 1. Ball Valve:
 - Pressure Rating 2,500 PSIG
 - Double union end with NPT female pipe connections locking handle and bracket for both open (parallel with valve body) and closed (perpendicular to valve body)
- 2. Limit Switch:
 - Two (2) SPDT Switches
 - NEMA 4, 4X Enclosure
 - Rating:
 - 15 amps, 1/2 hp, 125 to 250 Vac
 - 0.50 Amps, 125 Vdc
 - 0.25 Amps, 250 Vdc
- 3. Lock not included.

This literature is provided for informational purposes only. KIDDE-FENWAL, INC. assumes no responsibility for the product's suitability for a particular application. The product must be properly applied to work correctly. If you need more information on this product, or if you have a particular problem or question, contact KIDDE-FENWAL, INC., Ashland, MA 01721. Telephone: (508) 881-2000.

Kidde Fire Systems
A UTC Fire & Security Company
400 Main Street
Ashland, MA 01721
Ph: 508.881.2000
Fax: 508.881.8920
www.kiddefiresystems.com