

# CO<sub>2</sub> Component Description

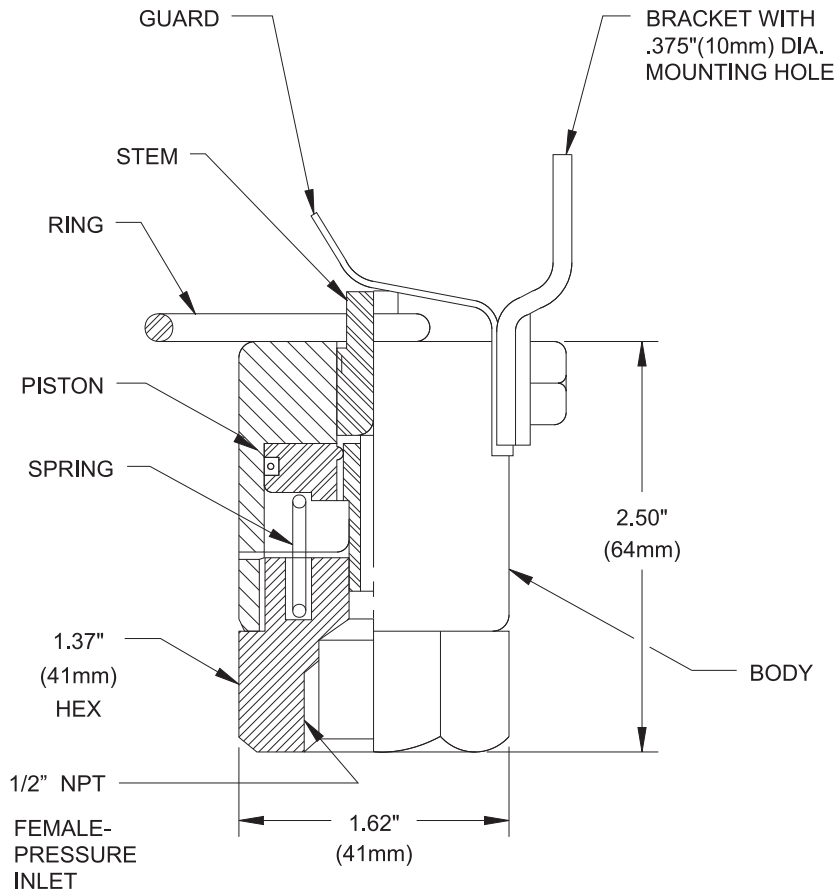


A UTC Fire & Security Company

## Pressure Trip

Effective: June 2012  
K-81-5200

P/N: 81-874290-000



### MATERIALS

**BODY, BRACKET, & PISTON: BRASS**

**GUARD, STEM, RING, & SPRING: STAINLESS STEEL**

**MAXIMUM LOAD ON RING: 100 LB. (45 KG)**

**MINIMAL NOMINAL OPERATING PRESSURE: 50 PSI (3.5 BARS)**

This literature is provided for informational purposes only. KIDDE-FENWAL, INC. assumes no responsibility for the product's suitability for a particular application. The product must be properly applied to work correctly. If you need more information on this product, or if you have a particular problem or question, contact KIDDE-FENWAL, INC., Ashland, MA 01721. Telephone: (508) 881-2000.

Kidde Fire Systems  
A UTC Fire & Security Company  
400 Main Street  
Ashland, MA 01721  
Ph: 508.881.2000  
Fax: 508.881.8920  
[www.kiddefiresystems.com](http://www.kiddefiresystems.com)