

# Industrial Dry Chemical

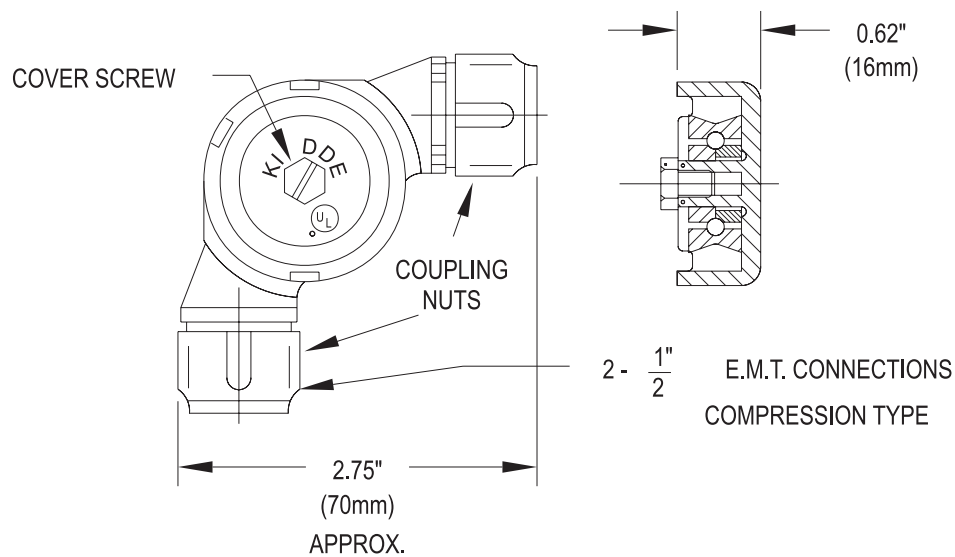
## Corner Pulley

Effective: March 2007  
**K-83-025**

**P/N 844648**

### **DESCRIPTION**

The Corner Pulley is used to change the direction of the system cable runs. The cable's protective conduit (1/2-inch EMT) is attached to the corner pulley with the provided coupling nuts. The Corner Pulley is equipped with a ball-bearing pulley for minimum resistance to the cable travel.



This literature is provided for informational purposes only. KIDDE-FENWAL, INC. assumes no responsibility for the product's suitability for a particular application. The product must be properly applied to work correctly. If you need more information on this product, or if you have a particular problem or question, contact KIDDE-FENWAL, INC., Ashland, MA 01721. Telephone: (508) 881-2000.