

# Kidde ADS

## 1-inch Nitrogen Manifold, High Pressure Hose for Use with All Nitrogen Driver Manifolds

P/N: 06-118324-001

### FEATURES

- *Flexible Hose with 1-inch Swivel Fitting for Easy Installation*
- *One Size Fits All Nitrogen Manifold Systems*
- *Part Number Stamped on Hose for Easy Identification*

### DESCRIPTION

The Kidde ADS 1-in. Nitrogen Manifold, High Pressure Hose is used to provide the interconnection between the nitrogen manifold and the transfer fitting on the agent cylinder (see Figure 2). Made to be flexible and easy to install, the nitrogen manifold comes equipped with a 1-in. swivel fitting with a hex nut for attachment to the nitrogen manifold. One size is available for all nitrogen manifold systems (P/N 06-118324-001).

### INSTALLATION



In order to prevent injury in the event of inadvertent nitrogen discharge, the nitrogen manifold hose must always be connected to the agent cylinder and to the nitrogen manifold before attaching the discharge head to the nitrogen cylinder valve.

Apply thread tape or pipe dope to the 3/4-in. male NPT thread and 1-in. male NPT swivel thread of the hose. Connect the transfer hose to the 3/4-in. transfer fitting of the actuation kit (P/N 06-129882-001). Take the other end of the hose and attach the 1-in. swivel fitting to the nitrogen manifold. Make certain that the hose is not kinked.

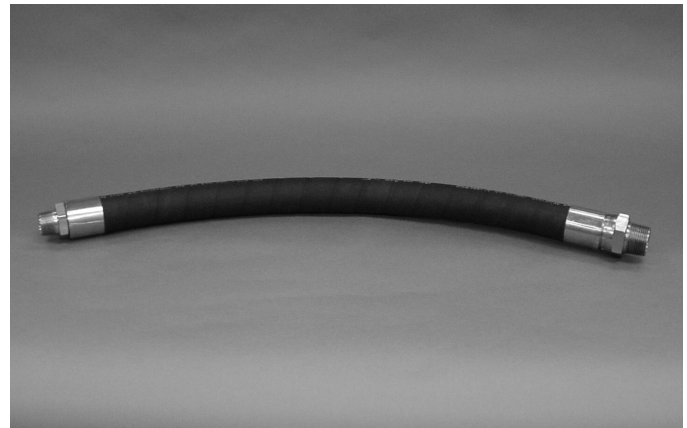
### MAINTENANCE

#### MONTHLY:

Inspect nitrogen transfer hose for loose fittings, damaged threads, cracks, distortions, cuts and frayed wire braiding. Tighten loose fittings. Replace hoses that have any stripped threads or other damage. Inspect couplings and tees for tightness.

#### 5 YEAR:

Flexible hoses must be hydrostatic pressure tested every five years in accordance with requirements in NFPA 12.



### SPECIFICATIONS

<b>Outer Diameter:</b>	1.625 in. (3.175 cm)
<b>Inner Diameter:</b>	1 in. (2.54 cm) minimum
<b>Inner Hose Material:</b>	Buna-N Synthetic
<b>Core of Hose:</b>	Double Wire Braided
<b>Outer Hose Material:</b>	Neoprene Synthetic Rubber
<b>Temperature Range:</b>	-40°F to 212°F (-40°C to 100°C)
<b>Minimum Burst Pressure:</b>	6,000 PSI (413 bar)
<b>Couplings Plated:</b>	Electrolus Nickel
<b>Approximate Weight:</b>	2.8 lb. (1.27 kg)

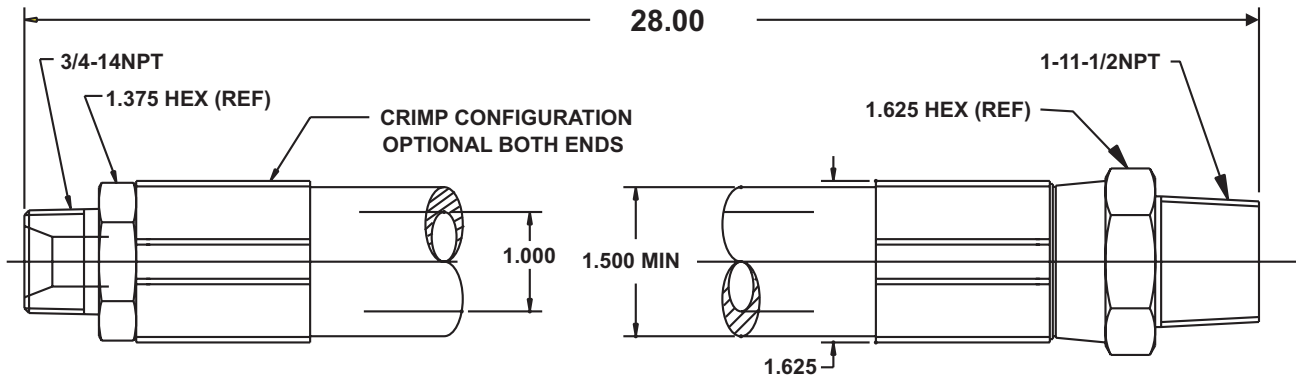
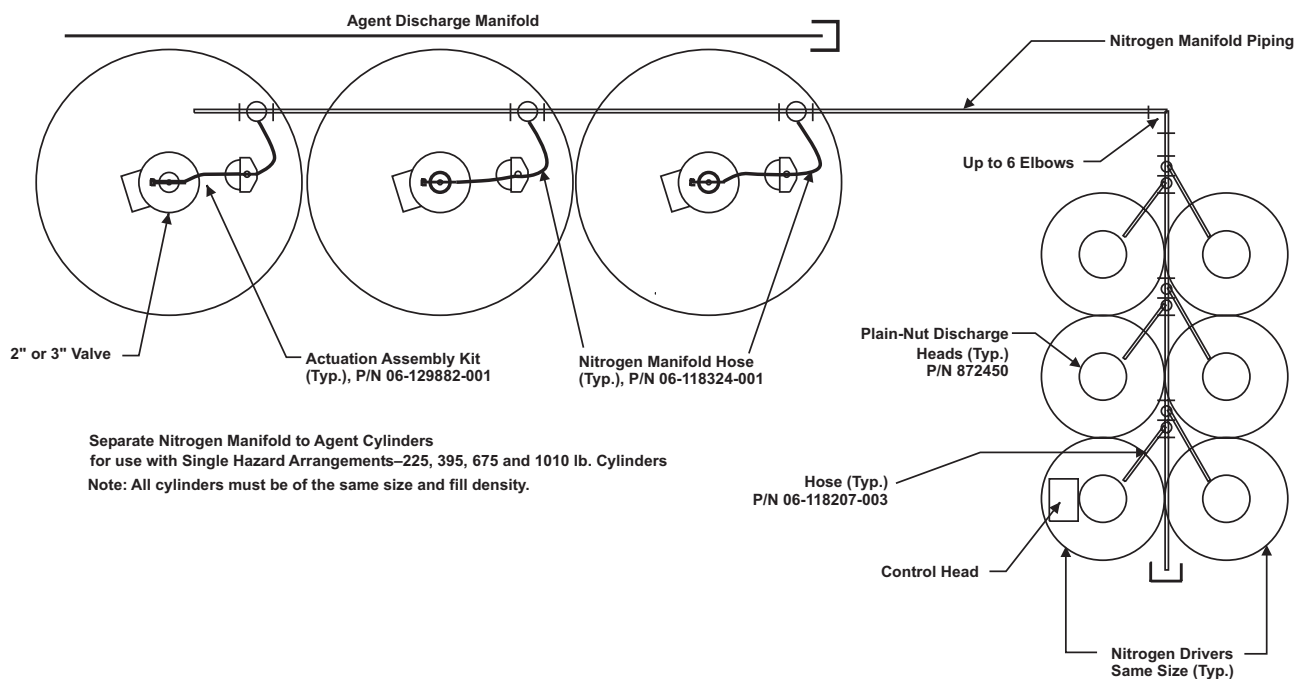


Figure 1. Nitrogen Transfer Hose



Separate Nitrogen Manifold to Agent Cylinders  
for use with Single Hazard Arrangements—225, 395, 675 and 1010 lb. Cylinders  
Note: All cylinders must be of the same size and fill density.

Figure 2. Nitrogen Manifold

## ORDERING INFORMATION

Part Number	Description	Dimension "A" Inches	Dimension "A" Centimeters
06-118324-001	1-in. Nitrogen Manifold Hose for use with Nitrogen Manifolding Only	28.00	71.12

This literature is provided for informational purposes only. KIDDE-FENWAL, INC. assumes no responsibility for the product's suitability for a particular application. The product must be properly applied to work correctly. If you need more information on this product, or if you have a particular problem or question, contact KIDDE-FENWAL, INC., Ashland, MA 01721. Telephone: (508) 881-2000.