

# Kidde ADS

## 3-Way Directional Ball Valve

P/Ns: 90-118325-00X and 90-118327-00X

### FEATURES

- For Use with Kidde ADS Systems
- Cost-Effective Option for Protecting Multiple Hazards
- Pneumatic Operation Using Nitrogen Pilot Cylinder
- 3-Way Valve Comes Pre-Assembled with Pneumatic Actuator and Solenoid
- Stainless Steel
- Low Loss Three Port Design
- FM Approved

### DESCRIPTION

The Kidde ADS Series System offers the use of directional valves for protection of multiple hazards from one central storage bank of agent and nitrogen driver cylinders. When the same set of cylinders are used to protect different hazards, 3-Way Directional Ball Valves may be included in the system. Since only one system (i.e., distribution piping and nozzles) can be entered and calculated at one time, it is necessary to create separate projects (.flc files) for each configuration. With respect to the directional valves, separate objects are used for a given valve size depending on the orientation of the valve. An “open” valve is used to allow agent to flow through the side (branch) outlet of the valve, and a “closed” valve would be used to allow agent to flow through the run outlet of the valve. When working with multiple files, the user should ensure that the type, diameter and length of any pipes common to more than one project file are identical. The pipe locking feature is useful here. In addition, the agent quantity per cylinder and area of the nitrogen restrictor orifice should be identical.



**Note:** Per NFPA 2001–In sections where a valve arrangement introduces sections of closed piping, such sections shall be equipped with pressure relief devices, or the valves shall be designed to prevent entrapment of liquid. For pressure relief of manifold arrangements using directional valves, use a safety outlet (P/N 844346).

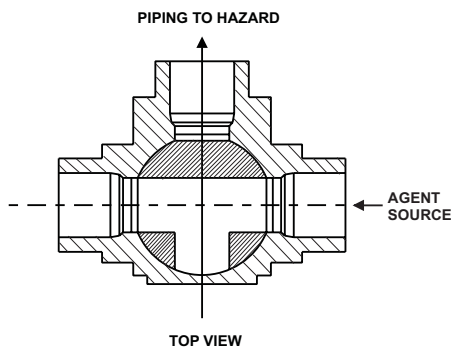


Figure 1. T Flow Ball Position

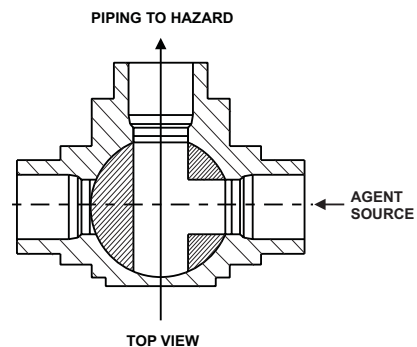
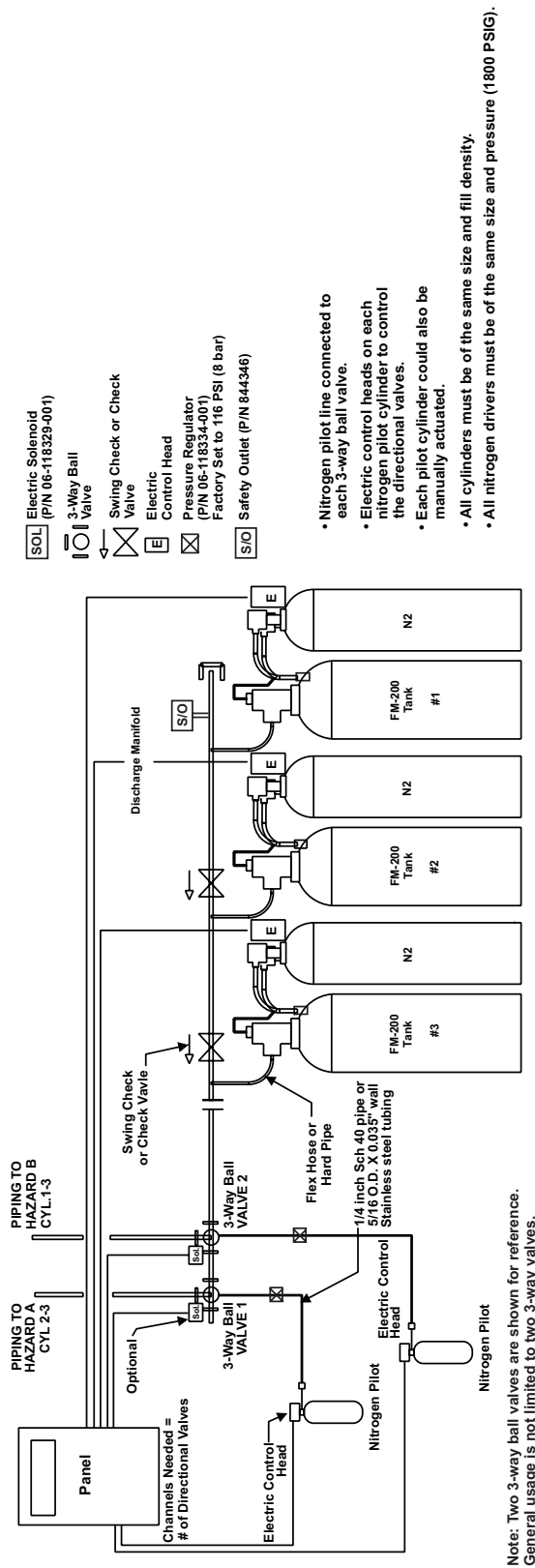
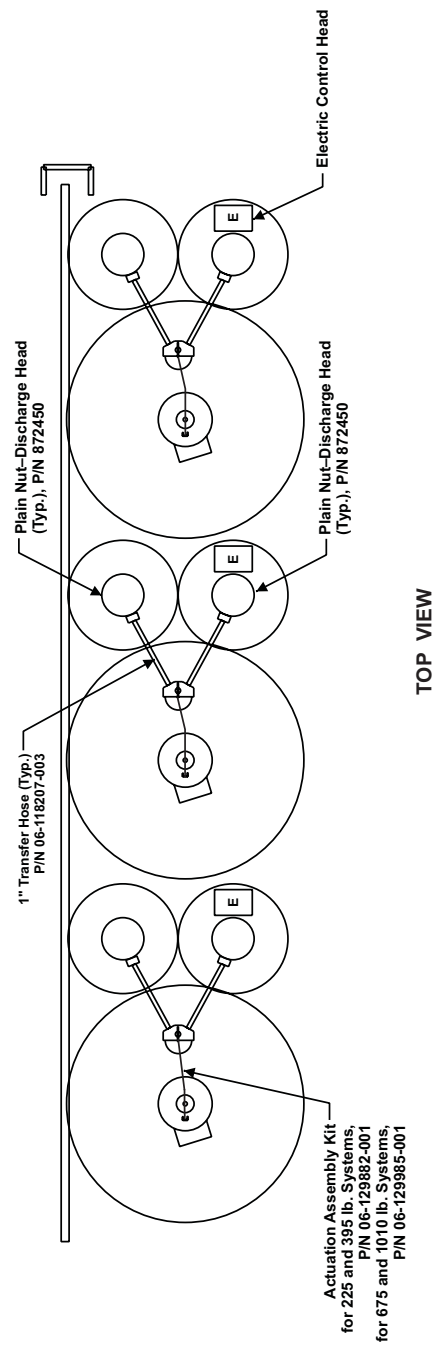


Figure 2. L Flow Ball Position



**SIDE VIEW**

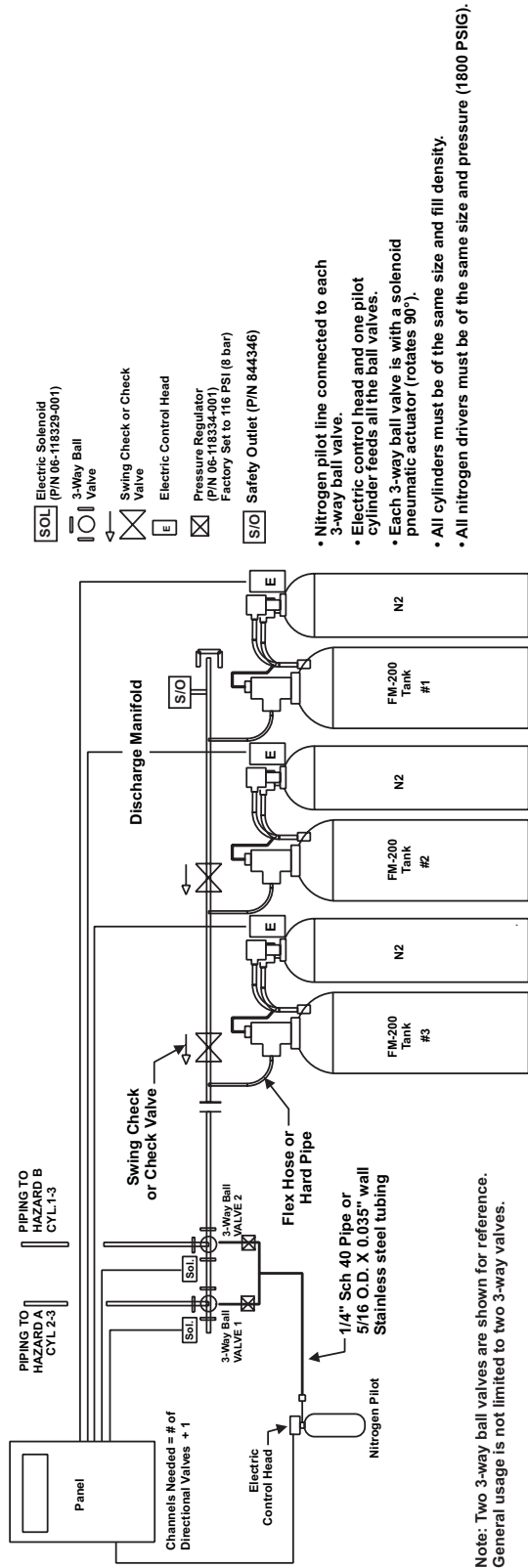


**TOP VIEW**

**Actuation Assembly Kit**  
 for 225 and 395 lb. Systems,  
 P/N 06-129882-001  
 for 675 and 1010 lb. Systems,  
 P/N 06-129885-001

Note: The arrangements shown above use the larger cylinders (675 and 1010 lb.) for the purpose of clarity. This concept can also be achieved using the 225 and 395 lb. cylinders.

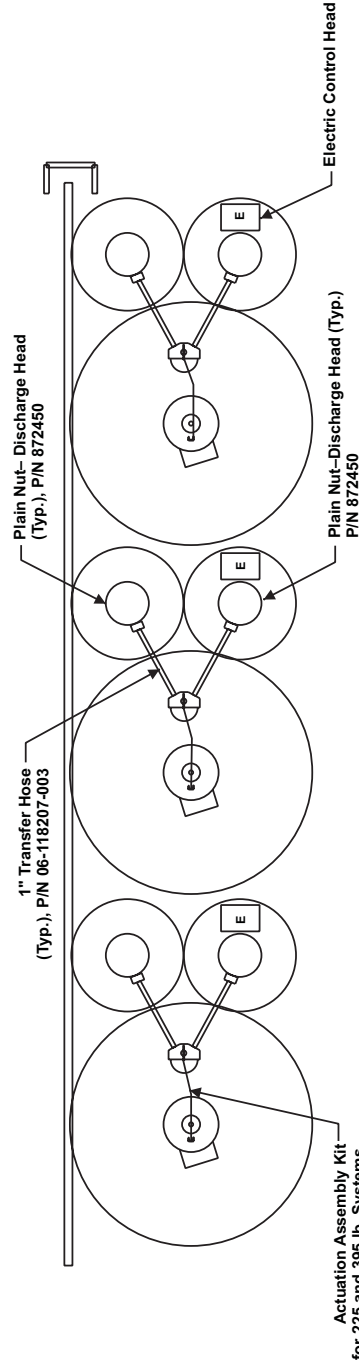
**Figure 3. Arrangement 1: 3-Way Ball Valve with Pneumatic Actuator Dedicated for Each Directional Valve**



Note: Two 3-way ball valves are shown for reference. General usage is not limited to two 3-way valves.

- Nitrogen pilot line connected to each 3-way ball valve.
- Electric control head and one pilot cylinder feeds all the ball valves.
- Each 3-way ball valve is with a solenoid pneumatic actuator (rotates 90°).
- All cylinders must be of the same size and fill density.
- All nitrogen drivers must be of the same size and pressure (1800 PSIG).

SIDE VIEW



TOP VIEW

Note: The arrangements shown above use the larger cylinders (675 and 1010 lb.) for the purpose of clarity. This concept can also be achieved using the 225 and 395 lb. cylinders.

Figure 4. Arrangement 2: 3-Way Ball Valve with Pneumatic Actuator Controlled by a 24 Vdc Solenoid

## OPERATION

**Note:** Figure 3 illustrates Arrangement 1 which uses nitrogen pilot actuation for each 3-Way Directional Ball Valve. Figure 4 illustrates Arrangement 2 which uses a single nitrogen pilot cylinder to actuate only one of a series of 3-Way Directional Ball Valves

A nitrogen pilot line is connected to each 3-Way Directional Ball Valve. An electric control head is installed on each nitrogen pilot cylinder to actuate and release the nitrogen, which, in turn, pneumatically opens the ball valve. The nitrogen pilot line must be installed with a pressure regulator. The nitrogen line is then installed into the pneumatic solenoid (P/N 06-118329-001) that is attached to the pneumatic actuator. The pneumatic solenoid acts as a gate valve; when the signal is received from the panel to open the pneumatic solenoid, the pressure is then allowed to pass through the pneumatic actuator, which thereby turns the valve to the 90° "Open" orientation.

Table 1. 3-Way Directional Ball Valve

Ball Valve Size	Maximum Number from One Pilot Cylinder	Maximum Tubing 5/16" x 0.035" Weight	Maximum 1/4" Schedule 40 Pipe
4"	3	200 ft.	100 ft.
3"	3	200 ft.	100 ft.
2"	8	200 ft.	100 ft.
1½"	8	200 ft.	100 ft.
1¼"	8	200 ft.	100 ft.
1"	8	200 ft.	100 ft.
¾"	8	200 ft.	100 ft.
½"	8	200 ft.	100 ft.

The pneumatic actuator and pneumatic solenoid are rated for a pressure of 100 to 150 PSI (6.89 to 10.34 bar gauge). A pressure regulator must be installed in line to reduce the nitrogen pressure that is being released from the pilot cylinder. Pressure regulator P/N06-118334-001 is factory set to 116 PSI (8 bar gauge).

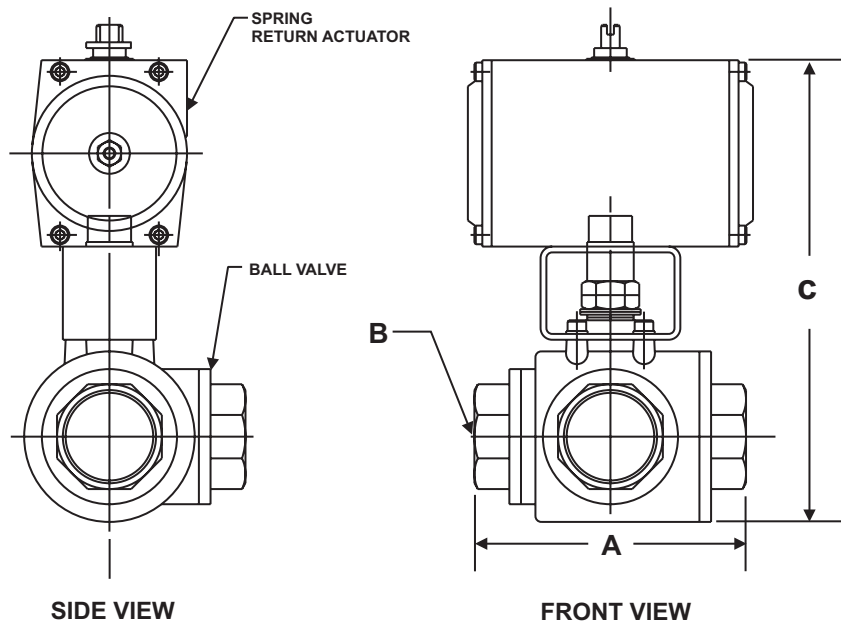


Figure 5. 3-Way Directional Ball Valves  
(See Table 2 for more information.)

Table 2. 3-Way Directional Ball Valve Specifications

Part Number	Nominal Size	Material	Body Style	Inlets	Port	T-Flow Equivalent Length	L-Flow Equivalent Length
90-118325-001	1/2"	316 SS	Threaded	NPT	Full	0.42 ft.	3.67 ft.
90-118325-002	3/4"	316 SS	Threaded	NPT	Full	0.50 ft.	5.42 ft.
90-118325-003	1"	316 SS	Threaded	NPT	Full	0.94 ft.	7.38 ft.
90-118325-004	1¼"	316 SS	Threaded	NPT	Full	1.07 ft.	11.18 ft.
90-118327-001	1½"	316 SS	Bolted	NPT	Full	2.39 ft.	14.05 ft.
90-118327-002	2"	316 SS	Bolted	NPT	Full	2.73 ft.	17.80 ft.
90-118327-003	3"	316 SS	Bolted	NPT	Full	3.02 ft.	24.56 ft.
90-118327-004	4"	316 SS	Bolted	Flanged	Full	4.54 ft.	25.62 ft.

Table 2. 3-Way Directional Ball Valve Specifications (cont.)

Part Number	Nominal Size	Dimensions			Valve Working Pressure	Breakaway Torque
		A*	B	C*		
90-118325-001	1/2"	6 in.	0.59	8 in.	500 PSIG	100 in.-lb.
90-118325-002	3/4"	6 in.	0.79	8 in.	500 PSIG	130 in.-lb.
90-118325-003	1"	7 in.	0.98	10 in.	500 PSIG	190 in.-lb.
90-118325-004	1¼"	7 in.	1.25	10 in.	500 PSIG	300 in.-lb.
90-118327-001	1½"	9 in.	1.50	12 in.	500 PSIG	576 in.-lb.
90-118327-002	2"	15 in.	1.97	14 in.	500 PSIG	877 in.-lb.
90-118327-003	3"	22 in.	2.93	23 in.	500 PSIG	2366 in.-lb.
90-118327-004	4"	23 in.	3.53	23 in.	500 PSIG	3300 in.-lb.

**\*Note:** Dimensions are approximate for the entire assembly.

Table 3. Pneumatic Actuator Specifications

Part Number	Nominal Size	Actuator Mechanism	Actuator Type	Actuator Volume	Actuator Torque	Working Pressure	Maximum Pressure
90-118325-001	1/2"	Rack and Pinion	Spring Return	14 cu. in.	180 in.-lb.	115 PSIG	145 PSIG
90-118325-002	3/4"	Rack and Pinion	Spring Return	14 cu. in.	180 in.-lb.	115 PSIG	145 PSIG
90-118325-003	1"	Rack and Pinion	Spring Return	21 cu. in.	266 in.-lb.	115 PSIG	145 PSIG
90-118325-004	1¼"	Rack and Pinion	Spring Return	40 cu. in.	429 in.-lb.	115 PSIG	145 PSIG
90-118327-001	1½"	Rack and Pinion	Spring Return	61 cu. in.	782 in.-lb.	115 PSIG	145 PSIG
90-118327-002	2"	Rack and Pinion	Spring Return	92 cu. in.	924 in.-lb.	115 PSIG	145 PSIG
90-118327-003	3"	Rack and Pinion	Spring Return	366 cu. in.	3539 in.-lb.	115 PSIG	145 PSIG
90-118327-004	4"	Rack and Pinion	Spring Return	366 cu. in.	3539 in.-lb.	115 PSIG	145 PSIG

## COMPONENTS

### 3-WAY DIRECTIONAL BALL VALVES (P/NS 90-118325-00X AND 90-118327-00X)

The stainless steel, 3-Way Directional Ball Valves are used for applications where a single bank of cylinders are used to protect multiple hazards (see ADS Design, Installation, Operation and Maintenance Manual, P/N 90-FM200M-030, for more information). The directional valves have a factory installed pneumatic, spring loaded actuator and range in sizes from 1/2 inch to 4 inches. The directional valves can be installed in the network, provided that they are accounted for in the software calculation. Refer to Figure 5, and Table 2 for more information.

#### Pneumatic Solenoid (P/N 06-118329-001)

The pneumatic solenoid is a cost-effective component that is used with the pneumatic actuators and 3-Way Directional Ball Valves. With the solenoid, one nitrogen pilot cylinder can be used for multiple directional valves. The solenoid is factory set to normally closed. A signal from the panel opens the solenoid that is attached to the appropriate pneumatic actuator. Pressure is then allowed to pass through the solenoid and open the 3-Way Directional Ball Valve.

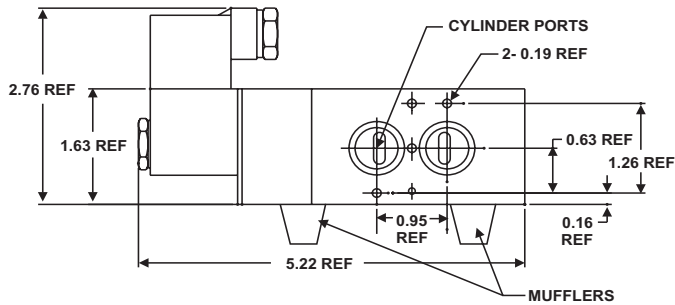


Figure 6. Pneumatic Solenoid

#### Pressure Regulator (P/N 06-118334-001)

The pressure regulator is used up stream of the pneumatic solenoid to regulate the nitrogen pressure to 116 PSI (8 bar gauge) prior to operating the pneumatic actuator on the directional valve.

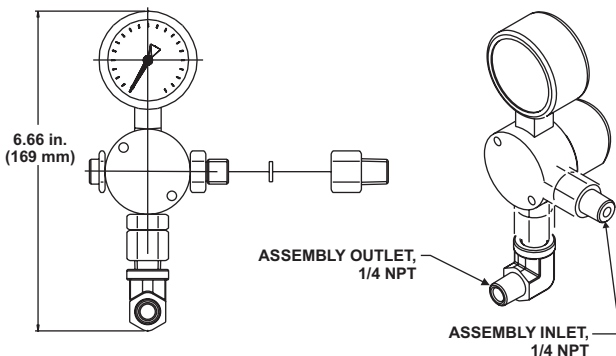


Figure 7. Pressure Regulator

## COMPONENT SPECIFICATIONS

Table 4. Pneumatic Solenoid Specifications

Description	Measurement
Pressure Range	55 to 120 PSIG
Voltage Rating	24 Vdc
Power Consumption (DC)	3W
Power Consumption (AC)	4.5A
Coil	9AAG
Weight	0.72 lb.
Ports	1/4" NPT
Includes:	Locking Manual Override Button

Table 5. Pressure Regulator Specifications

Part Number	Description
06-118334-001	Pressure Regulator

## INSTALLATION

All Kidde FM-200 equipment must be installed to facilitate proper inspection, testing, manual operation, recharging and any other required maintenance as may be necessary. Equipment must not be subject to severe weather conditions or mechanical, chemical, or other damage that could render the equipment inoperative. Equipment must be installed in accordance with NFPA Standard 2001, current edition.



**WARNING**

The FM-200 cylinder/valve assemblies must be handled, installed and serviced in accordance with the instructions contained in this Section and Compressed Gas Association (CGA) pamphlets C-1, C-6 and P-1. CGA pamphlets may be obtained from: Compressed Gas Association, 1235 Jefferson Davis Highway, Arlington, VA 22202. Failure to follow these instructions can cause FM-200 cylinders to violently discharge, resulting in severe injury, death and/or property destruction.

## PRESSURE ACTUATION PIPE

The pressure actuation pipe must be 1/4-inch Schedule 40 or 80 pipe or 5/16 in. O.D. x 0.035 in. wall stainless steel tubing. Actuation lines shall be protected against crimping and mechanical damage (per NFPA 2001, Section 2-3.4.2). The pipe or tubing must be routed in the most direct manner with a minimum number of fittings. Pipe and fittings must be in accordance with the requirements listed in the ADS Design, Installation, Operation and Maintenance Manual (P/N 90-FM200M-030). Fittings can be flared or compression type. The pressure-temperature ratings of the fitting manufacturer must not be exceeded.

## DIRECTIONAL VALVES WITH PNEUMATIC ACTUATORS AND SOLENOIDS

**Note:** Flanged fittings are to be installed per ANSI B16.5.

1. Gather the required parts for the chosen directional system based upon the number of 3-Way Directional Ball Valves needed and the actuation scheme desired.
  - Single pilot cylinder actuation requires one pilot cylinder, actuation hoses (number of hoses equals two times the number of directional valves), electric control head, the directional valves with solenoid pneumatic actuators and a pressure regulator.
  - Multiple pilot actuation requires pilot cylinders (number of pilot cylinders equals one times the number of directional valves), actuation hoses (number of hoses equals one times the number of directional valves), electric control heads (number of control heads equals one times the number of directional valves), directional valves with pneumatic actuators and a pressure regulator.

**Note:** The pressure regulator must be located within 12 in. of the solenoid and pneumatic actuator.

2. Ensure that all directional valves are in the "straight through" position before installation (the T-port in the valve should be open on both ends with the side port closed).

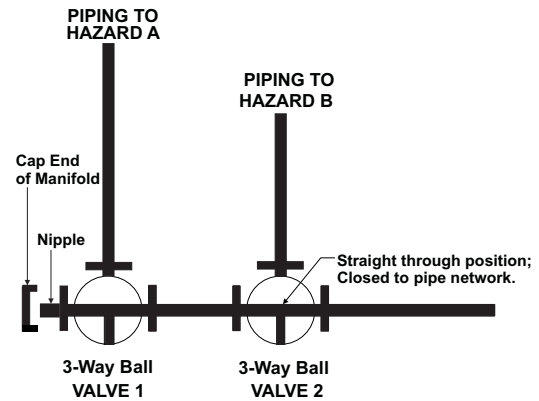


Figure 8. Straight Through Orientation

The directional valve must be installed so that the 90° turn of the actuator brings the T-port open on the side branch and the end of the valve that faces the FM-200 source. The arrow on the valve must be pointed in the direction of the flow.

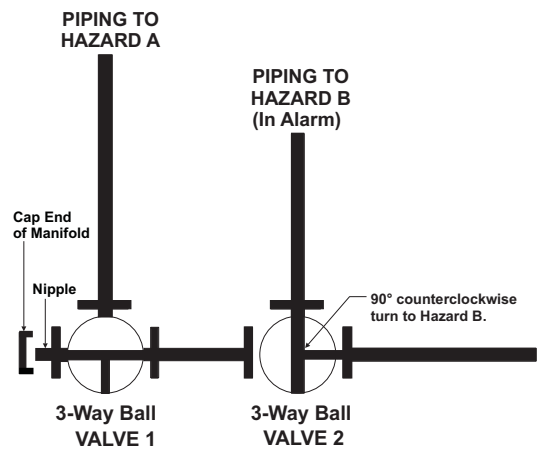


Figure 9. 90° Orientation

3. Connect the actuators on the directional valves to the pneumatic source in one of two ways:

For pilot cylinder actuation, all directional valves must have a 24 Vdc solenoid (P/N 06-118329-001) and a 24 Vdc connection from the control panel.

  - \* Connect the pilot cylinder to the second pressurization port of the solenoid actuator using the actuation line.
  - \* Connect each of the solenoids and the electric control head to the control panel so that the electric control head fires and the correct directional valve operates for the desired hazard.
  - \* Test each hazard with the control panel by listening for the solenoid click at each directional valve.
  - \* Reconnect all electrical connections.
  - \* Attach an electric control head to the pilot cylinder (being sure it is set before installation).

4. Set the control panel to provide a 5.5 second delay between the firing of the pilot cylinders for the directional valves and the firing of the FM-200 system (see Table 6). This delay provides sufficient time for the valves to fully open before the system is discharged.

Table 6. Directional Valve Data

Part Number	Description	Time Delays Required to Open
90-118325-001	1/2" NPT	5.5 sec.
90-118325-002	3/4" NPT	5.5 sec.
90-118325-003	1" NPT	5.5 sec.
90-118325-004	1 1/4" NPT	5.5 sec.
90-118327-001	1 1/2" NPT	5.5 sec.
90-118327-002	2" NPT	5.5 sec.
90-118327-003	3" NPT	5.5 sec.
90-118327-004	4" Flanged	5.5 sec.

**Note:** 5.5 seconds is the maximum time needed for the 4 in. ball valve to open under pressure.

### SYSTEM RELEASE CONTROL CONFIGURATION

**IMPORTANT**— The information in this paragraph refers to circuits and wiring employed on PEGAsys panels; specific ADS configurations and/or other programmable panels may require different wiring and/or panel-to-panel connections.

A maximum of eight suppression hazards and a maximum of eight electrically actuated nitrogen driver cylinders are allowed per system. Multiple panels may be employed to control and release the system. The smallest ADS system configuration would require a minimum of four release circuits.

Regardless of configuration, the following sequence of activation must be adhered to:

1. When a call for suppression is received by the panel for a specific suppression zone, the appropriate selector valve solenoid and nitrogen pilot control head must activate within 0.5 seconds of each other.
2. Six to ten seconds after the selector valve solenoid and nitrogen pilot control head actuates, the appropriate nitrogen driver control heads must activate. After any hazard activates, no other activation is allowed until the system is serviced. Failure to follow these sequence could result in system malfunction.

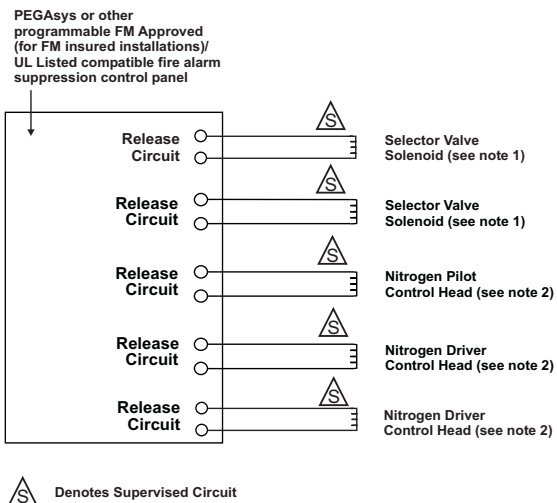


Figure 10. Typical Single Panel System Release Circuit Wiring (See Notes below.)

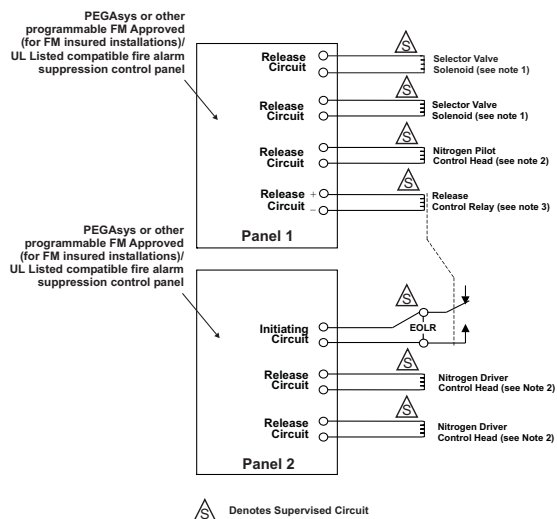


Figure 11. Typical Multiple Panel System Release Circuit Wiring (See Notes below.)

#### Notes:

1. Must use Pneumatic Solenoid (P/N 06-118329-001). Ratings: 24 Vdc, 4.8 W; 2.0 Vdc minimum dropout.
2. Must use 24 Volt DC control head. The fire alarm suppression panel release circuit must be capable of supplying a minimum of 24 Vdc @ 2.8 Amps for 30 milliseconds for control head P/N 890181, and a minimum of 24 Vdc @ 0.5 Amps continuous for control head P/N 81-100000-001.
3. Release control relays are only required if the nitrogen driver solenoids are released by a separate panel. Relays employed must be electrically compatible with the release circuit output characteristics for both pull-in and dropout voltages.



- 
4. A means of manual release of the system shall be provided. Manual release shall be accomplished by a mechanical manual release, or by an electrical manual release, when the control equipment monitors the battery voltage level of the standby battery supply and will provide a low battery signal. The release shall cause simultaneous operation of automatically operated valves controlling agent release and distribution.
  - \* Refer to the PEGAsys Installation, Operation and Maintenance Manual (P/N 76-200016-001) for complete details.



The referenced control heads and solenoids are compatible with PEGAsys panels. The use of other panels to operate these control heads and solenoids has not been verified and could result in system malfunction.

---

**ORDERING INFORMATION**

---

Part Number	Description
<b>Valves</b>	
90-118325-001	3-Way Directional Valve, 1/2-inch
90-118325-002	3-Way Directional Valve, 3/4-inch
90-118325-003	3-Way Directional Valve, 1-inch
90-118325-004	3-Way Directional Valve, 1¼-inch
90-118327-001	3-Way Directional Valve, 1½-inch
90-118327-002	3-Way Directional Valve, 2-inch
90-118327-003	3-Way Directional Valve, 3-inch
90-118327-004	3-Way Directional Valve, 4-inch
<b>Pneumatic Solenoid</b> (Note: Part of Valve Assembly. Use below for spare parts only.)	
06-118329-001	Pneumatic Solenoid, 24 Vdc
<b>Pressure Regulator</b>	
06-118334-001	Pressure Regulator, 116 PSI (8 bar)

This literature is provided for informational purposes only. KIDDE-FENWAL, INC. assumes no responsibility for the product's suitability for a particular application. The product must be properly applied to work correctly. If you need more information on this product, or if you have a particular problem or question, contact KIDDE-FENWAL, INC., Ashland, MA 01721. Telephone: (508) 881-2000.



A UTC Fire & Security Company

400 Main Street  
 Ashland, MA 01721  
 Ph: 508.881.2000  
 Fax: 508.881.8920  
[www.kiddefiresystems.com](http://www.kiddefiresystems.com)