

# Kidde ADS Series Engineered Fire Suppression Systems

Special Nozzle for  
Anechoic Chamber Application  
P/N: 90-184000-050 and 90-184000-063

## FEATURES

- Designed for Superior Performance in Anechoic Chambers
- No Interference with the Operating Characteristics of Chamber

## DESCRIPTION

The Kidde ADS Series Special Nozzles are used in anechoic chamber applications. An anechoic chamber is a room designed to stop reflections of either sound or electromagnetic waves. These nozzles are designed to prevent the need to expose pipes and/or nozzles that would compromise the chamber's operation.

The "spiral" pattern of the special nozzles promotes vaporization which creates the proper mixture between the agent and the nitrogen. Another design feature of the Kidde ADS special nozzles is a downward discharge that is able to dislodge the absorbent material used in the chamber and discharge the agent. The low profile of these nozzles allows installation into applications when space is limited.

The nozzle is designed using two well-accepted technologies that have been used for decades for fire suppression. The flanged bell portion of the nozzle was adapted from nozzles used in carbon dioxide fire suppression systems and a spiral diffuser (screw nozzle) portion of the nozzle was utilized in Halon 1301 fire suppression systems.

The nozzles are offered with two different flow characteristics; the lower flow uses a 0.5 dia. orifice and the high flow uses a 0.63 orifice. These orifice sizes were selected in order to provide equivalent flow rate and distribution characteristics to the standard Kidde ADS nozzle. The orifice area and flow needs to be calculated using the Kidde ADS FM-200 system hydraulic flow calculation software.

**Note:** This product does not have any third-party approvals at this time.

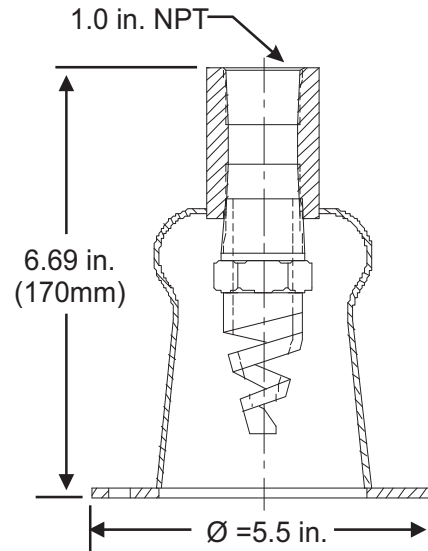


Figure 1. Cutaway of Special Nozzle

## SPECIFICATIONS

### MATERIALS:

**Body:** Brass and Steel

**Color:** Red

**Approx. Weight:** 1.3 lb. (0.59 kg)

## ORDERING INFORMATION

Part Number	Description
90-184000-050	Special Nozzle with 0.50 dia. orifice
90-184000-063	Special Nozzle with 0.63 dia. orifice

This literature is provided for informational purposes only. KIDDE-FENWAL, INC. assumes no responsibility for the product's suitability for a particular application. The product must be properly applied to work correctly. If you need more information on this product, or if you have a particular problem or question, contact KIDDE-FENWAL, INC., Ashland, MA 01721. Telephone: (508) 881-2000.