

FM-200[®] Component Description

Cylinder and Valve Assembly,
125 lb. (56.7 kg) Capacity



A UTC Fire & Security Company

Effective: April 2007
K-90-2030

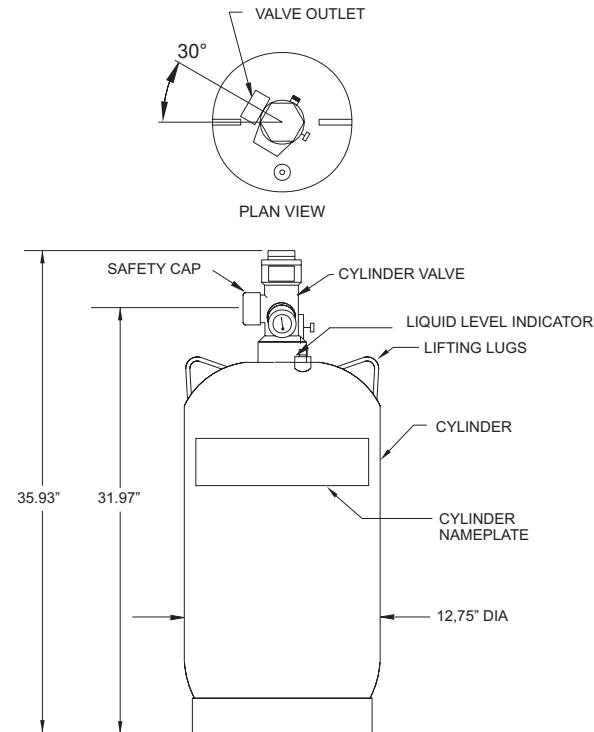
FEATURES

- For Use with UL Listed, ULC Listed and FM Approved Systems

P/N: 90-10012X-001

ORDERING INFORMATION

Part Number	Description
90-100121-001	w/LLI
90-100125-001	STD



MATERIALS

- Valve Body: Brass
- Cylinder: Steel, Painted Red

Notes:

1. The safety cap must be installed on the valve outlet at all times, except when the cylinders are connected to the system piping, or being filled. The safety cap must not be removed from its chain.
2. See K-90-2020 for additional information.

FM-200 is a registered trademark of the Great Lakes Chemical Corporation.

This literature is provided for informational purposes only. KIDDE-FENWAL, INC. assumes no responsibility for the product's suitability for a particular application. The product must be properly applied to work correctly. If you need more information on this product, or if you have a particular problem or question, contact KIDDE-FENWAL, INC., Ashland, MA 01721. Telephone: (508) 881-2000.