

Kidde® In-Cabinet™

Electric Actuator,
P/N 83-100034-001

 Kidde Fire Systems

Effective: September 2004
K-90-3004

FEATURES

- *UL Listed*
- *Tested Per UL 2166*
- *Durable Stainless Steel Construction*
- *Used in CXV Control System, 24 Vdc*
- *For Use with CXV Control System and In-Cabinet/Small Enclosure Systems Only*

DESCRIPTION

The Kidde Fire Systems Electric Solenoid Assembly is Listed by the Underwriters Laboratory, Inc. (UL) and has been designed for use with the CXV™ Controller and the Kidde In-Cabinet/Small Enclosure Systems. The Electric Solenoid comes standard in the CXV Controller kit. The Electric Solenoid operates directly on the latch of the CXV Controller to operate the system. The spare kit includes two mounting screws and the bracket push plate mounted onto the body of the Electric Solenoid.

INSTALLATION

The Electric Solenoid can be installed into the CXV Controller, just under the latch (see Figure 1). For additional information, please reference the Design, Installation, Operation and Maintenance Manual, P/N 90-FM200M-040

WARNING

Where electric detection and/or actuation is provided, supervision shall be provided in accordance with NFPA 17A. Electrical wiring and equipment shall be provided in accordance with NFPA 72 national Electric code or at the request of the Authority Having Jurisdiction.

Note: Wiring the Electric Actuator through a Microswitch is required. The releasing loop should be wired through the common and normally closed (N.C.) contacts. Releasing the CXV Controller opens the contact and stops the releasing current.

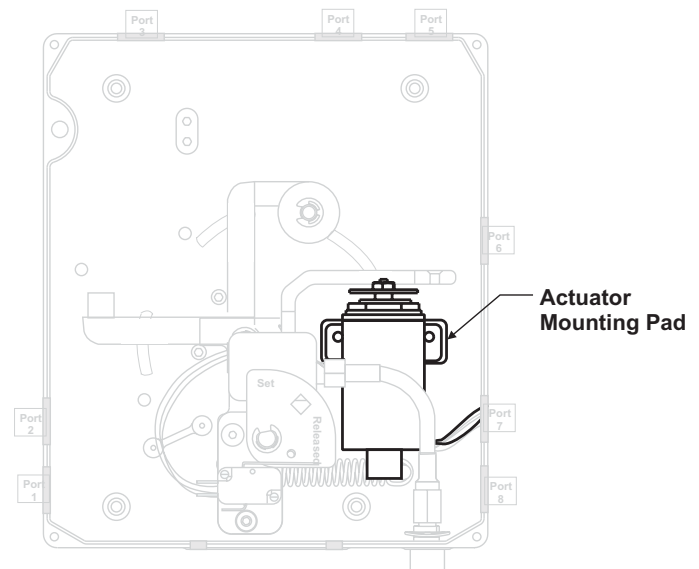


Figure 1. Solenoid Installed in CXV

SPECIFICATIONS

- Body: Stainless Steel
- Coil Electrical Rating: 24 Vdc
- Lead Length: 24 in. (610 mm)
- Approximate Weight: 1.04 lb. (0.47 kg)

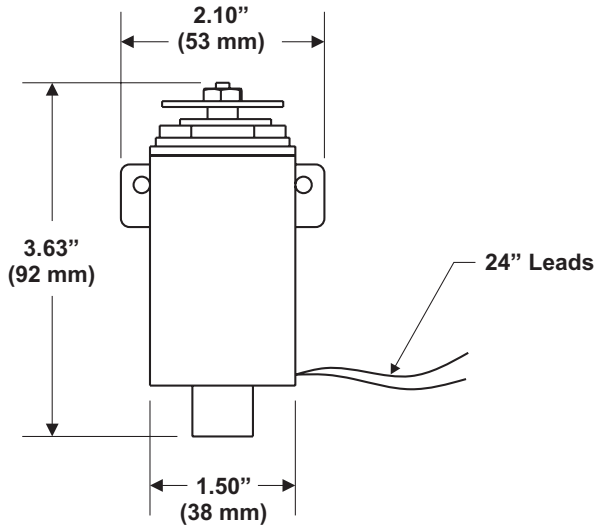


Figure 1. Electric Solenoid Assembly

ORDERING INFORMATION

Part Number	Description
83-100034-001	Electric Solenoid Assembly for use with In-Cabinet/Small Enclosure Systems
Note: The Electric Solenoid Assembly comes with an actuator body, the mounting bracket, a push plate and wire leads.	

Kidde is a registered trademark of Kidde-Fenwal, Inc.
In-Cabinet and CSV are trademarks of Kidde-Fenwal, Inc.
FM-200 is a registered trademark of Great Lakes Chemical Corporation.
All other trademarks are property of their respective owners.

This literature is provided for informational purposes only. KIDDE-FENWAL, INC. assumes no responsibility for the product's suitability for a particular application. The product must be properly applied to work correctly.
If you need more information on this product, or if you have a particular problem or question, contact KIDDE-FENWAL INC., Ashland, MA 01721. Telephone: (508) 881-2000

