

# FM-200<sup>®</sup> Component Description

Check Valves, 1/2-Inch Thru 2-Inch

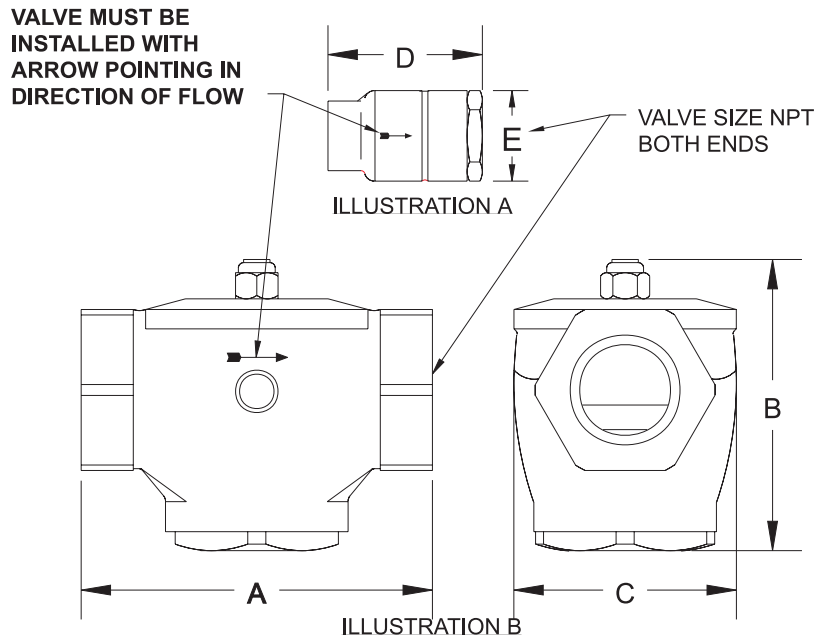


A UTC Fire & Security Company

Effective: April 2007  
K-90-5110

## FEATURES

- For Use with UL, ULC and FM Approved Systems • See Kidde<sup>®</sup> Manual 90-FM200M-021 for USCG Approval



PART NUMBER	VALVE SIZE	ILLUSTRATION	A		B		C		D		E	
			IN	mm	IN	mm	IN	mm	IN	mm	IN	mm
800327	1/2"	A	-	-	-	-	-	-	3.34	85	2.00	51
800266	3/4"	A	-	-	-	-	-	3.34	85	2.00	51	
800443	1"	A	-	-	-	-	-	3.97	101	3.18	81	
800444	1-1/4"	A	-	-	-	-	-	3.97	101	3.18	81	
870152	1-1/2"	B	7.50	151	6.28	160	4.75	121	-	-	-	-
870151	2"	B	7.50	151	6.28	160	4.75	121	-	-	-	-

**Note:** Valve must be installed with the arrow pointing in the direction of flow.

## MATERIALS

- Brass

FM-200 is a registered trademark of the Great Lakes Chemical Corporation.

This literature is provided for informational purposes only. KIDDE-FENWAL, INC. assumes no responsibility for the product's suitability for a particular application. The product must be properly applied to work correctly. If you need more information on this product, or if you have a particular problem or question, contact KIDDE-FENWAL, INC., Ashland, MA 01721. Telephone: (508) 881-2000.

Kidde Fire Systems  
A UTC Fire & Security Company  
400 Main Street  
Ashland, MA 01721  
Ph: 508.881.2000  
Fax: 508.881.8920  
[www.kiddefiresystems.com](http://www.kiddefiresystems.com)