

# FM-200<sup>®</sup> Component Description



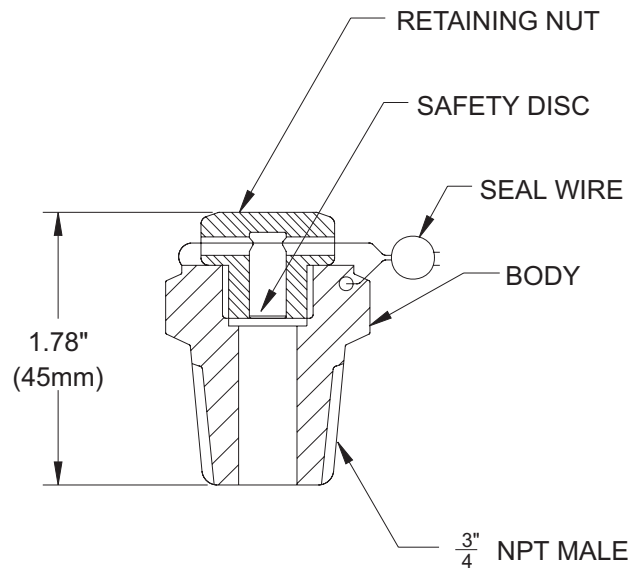
A UTC Fire & Security Company

## Safety Outlets

Effective: April 2007  
K-90-5170

### FEATURES

- For Use with UL Listed, ULC Listed and FM Approved Systems
- See Kidde<sup>®</sup> Manual 90-FM200M-021 for USCG Approval



| PART NUMBER | AGENT    | PRESSURE RELIEF OPERATES AT |         |
|-------------|----------|-----------------------------|---------|
|             |          | PSI                         | BAR     |
| 803242      | N 2/CO 2 | 2400-2800                   | 166-193 |
| 844346      | FM-200   | 750-900                     | 52-62   |

### MATERIALS

- Body and Retaining Nut: Brass
- Seal Wire: Copper and Lead

FM-200 is a registered trademark of the Great Lakes Chemical Corporation.

This literature is provided for informational purposes only. KIDDE-FENWAL, INC. assumes no responsibility for the product's suitability for a particular application. The product must be properly applied to work correctly. If you need more information on this product, or if you have a particular problem or question, contact KIDDE-FENWAL, INC., Ashland, MA 01721. Telephone: (508) 881-2000.

Kidde Fire Systems  
A UTC Fire & Security Company  
400 Main Street  
Ashland, MA 01721  
Ph: 508.881.2000  
Fax: 508.881.8920  
[www.kiddefiresystems.com](http://www.kiddefiresystems.com)