

FM-200[®] Component Description

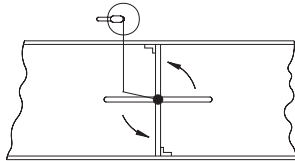
Pressure Trip Applications – Installation Detail



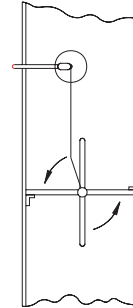
A UTC Fire & Security Company

Effective: April 2007
K-90-5201

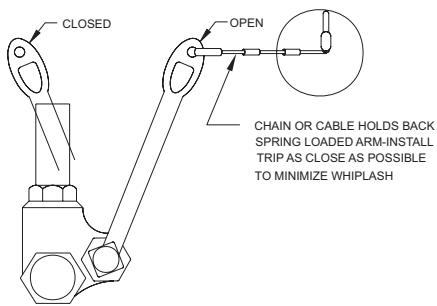
PRESSURE TRIP APPLICATIONS INSTALLATION DETAIL



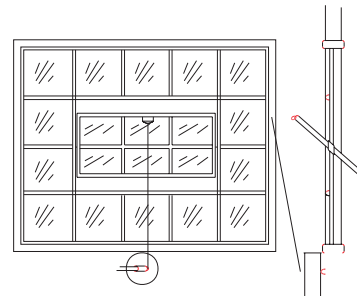
HORIZONTAL DUCT DAMPER



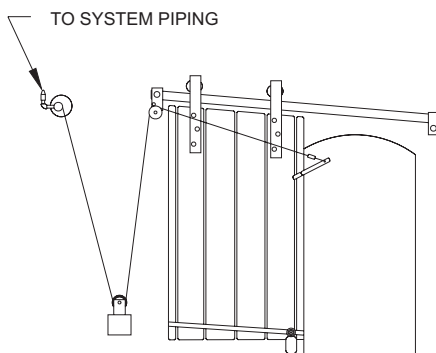
VERTICAL DUCT DAMPER



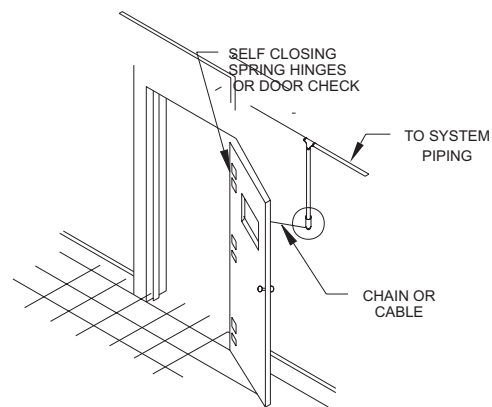
SPRING LOADED LIQUID OR GAS SHUTOFF VALVE



WINDOW-EITHER WEIGHTED OR OFF BALANCE



SLIDING DOOR



SWINGING DOOR-SELF CLOSING

FM-200 is a registered trademark of the Great Lakes Chemical Corporation.

This literature is provided for informational purposes only. KIDDE-FENWAL, INC. assumes no responsibility for the product's suitability for a particular application. The product must be properly applied to work correctly. If you need more information on this product, or if you have a particular problem or question, contact KIDDE-FENWAL, INC., Ashland, MA 01721. Telephone: (508) 881-2000.