

# FM-200<sup>®</sup> Component Description



A UTC Fire & Security Company

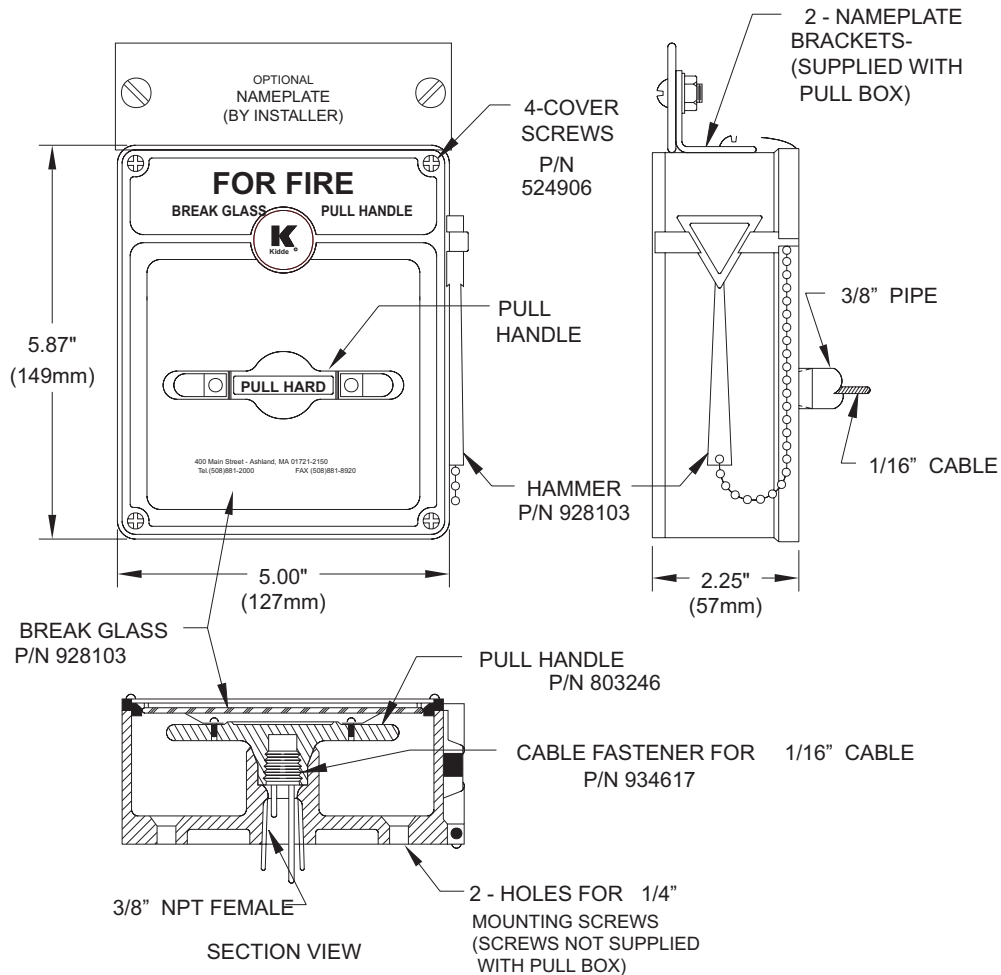
## Pull Box, Break Glass

Effective: April 2007  
K-90-6040

### FEATURES

- For Use with UL Listed, ULC Listed and FM Approved Systems
- See Kidde<sup>®</sup> Manual 90-FM200M-021 for USCG Approval

P/N: 871403



### MATERIALS:

- Body: Aluminum
- Handle: Brass

FM-200 is a registered trademark of the Great Lakes Chemical Corporation.

This literature is provided for informational purposes only. KIDDE-FENWAL, INC. assumes no responsibility for the product's suitability for a particular application. The product must be properly applied to work correctly. If you need more information on this product, or if you have a particular problem or question, contact KIDDE-FENWAL, INC., Ashland, MA 01721. Telephone: (508) 881-2000.

Kidde Fire Systems  
A UTC Fire & Security Company  
400 Main Street  
Ashland, MA 01721  
Ph: 508.881.2000  
Fax: 508.881.8920  
[www.kiddefiresystems.com](http://www.kiddefiresystems.com)