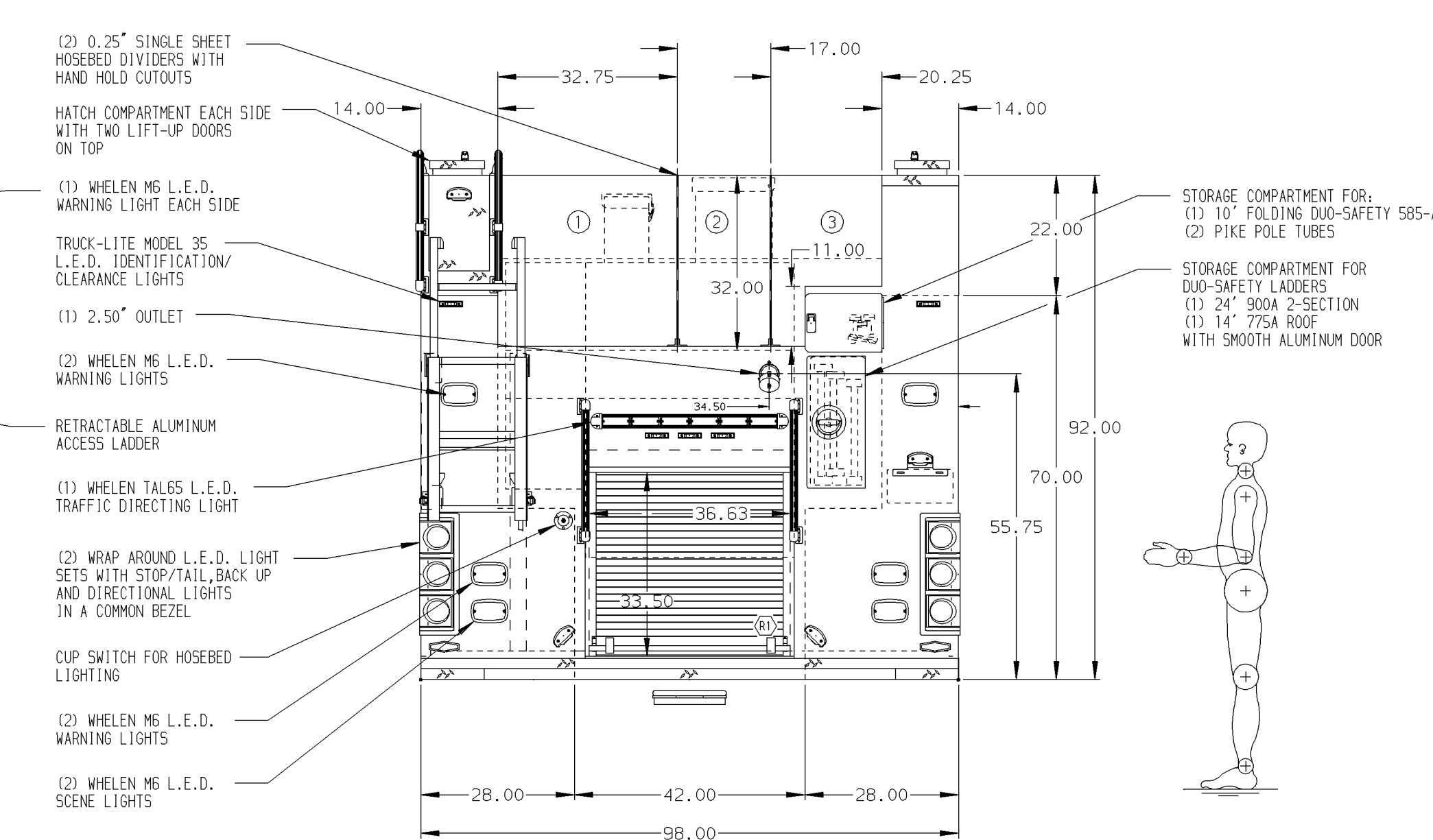
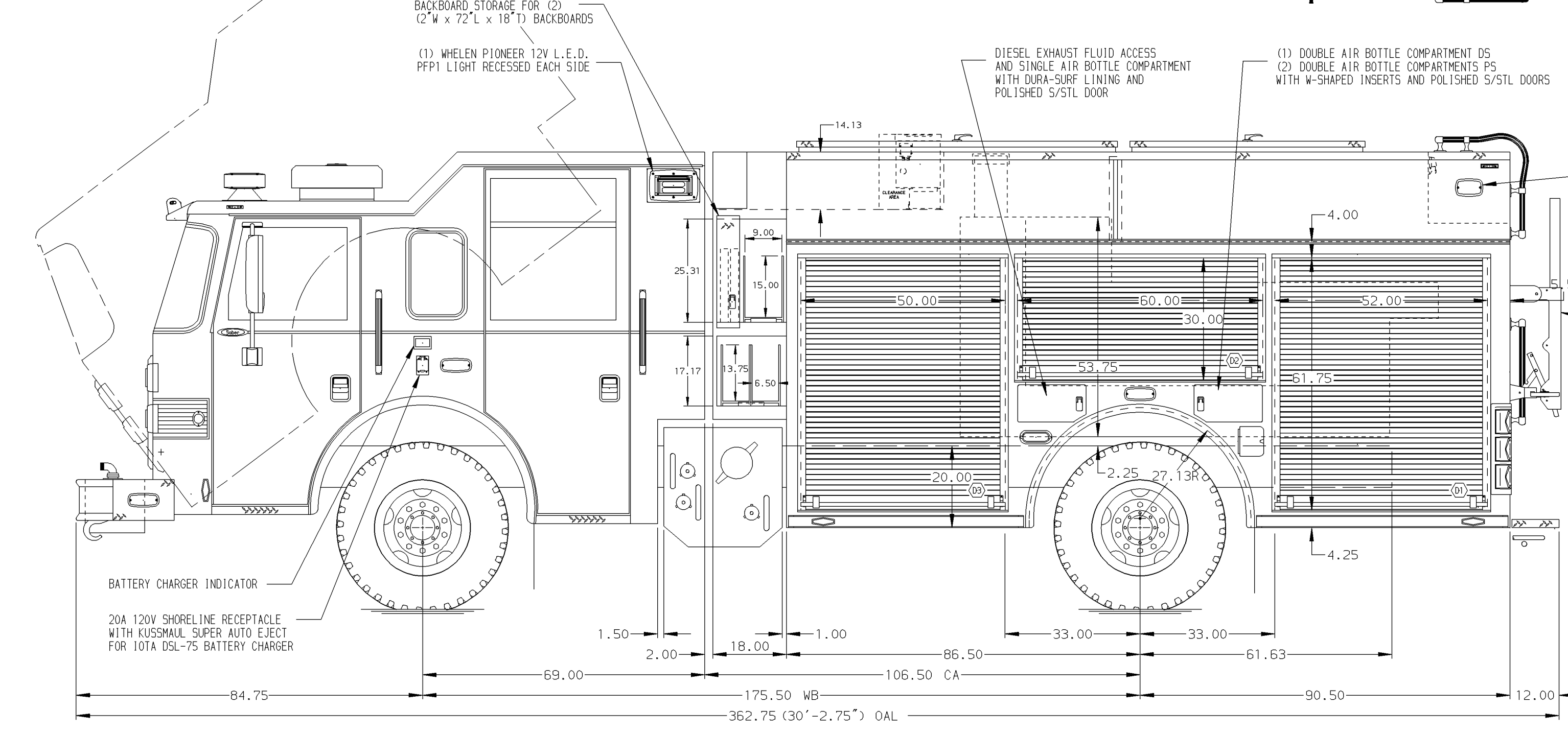


- HOSEBED CAPACITIES
- ① - 1000' OF 5.00" D.J. POLY HOSE
 - ② - 500' OF 3.00" D.J. POLY HOSE
 - ③ - 500' OF 3.00" D.J. POLY HOSE



ALUMINUM BODY

NOTE
DIMENSIONS SHOWN ARE APPROXIMATE AND ARE SUBJECT TO MINOR DEVIATIONS AS MAY OCCUR OR BE NECESSARY IN CONSTRUCTION. MINOR DETAILS NOT SHOWN.

1. CTF WHEEL CHOCKS AND MOUNTING BRACKETS
2. 10TA DSL-75 75A BATTERY CHARGER LOCATED IN COMPARTMENT D3
3. PERIMETER SCENE LIGHTS LOCATED PER SHOP ORDER
4. AIR INLET WITH DISCONNECT COUPLING LOCATED IN D5 STEP WELL
5. PIERCE L.E.D. COMPARTMENT LIGHT STRIPS LOCATED PER SHOP ORDER
6. SHELF TRACKS LOCATED IN COMPARTMENTS D1, D3, P1, P3 AND R1
7. ONE FULL WIDTH/DEPTH PAINTED ADJUSTABLE SHELF IN COMPARTMENTS D1, D3, P1, P3 AND R1
8. PIERCE LOGO MUDFLAPS FRONT AND REAR
9. STAINLESS STEEL FENDER CROWNS FRONT AND REAR

REV	DATE	BY	CH	SABER
23JUL14	000	KBO		CHASSIS DATA
24JUN14	000	SHA		MAKE
23JUN14	000	KBO		PIERCE
17JAN14	CDU	SHA		MODEL

		JOB NO.	27697
		SCALE	DATE
TITLE	1500-D-780P TANK, 750G WATER/30G FOAM, 177" PUC BODY (3)X-LAYS, LDDRS BTW TANK/SSHT, FH STD DPTH	DRAWN BY	CDU
FOR	PIERCE FIELD UNIT APPLETON, WISCONSIN	CHECKED BY	SHA
DWG NO.	27697AD	SHEET SIZE	D
		SHEET NO.	1 OF 1