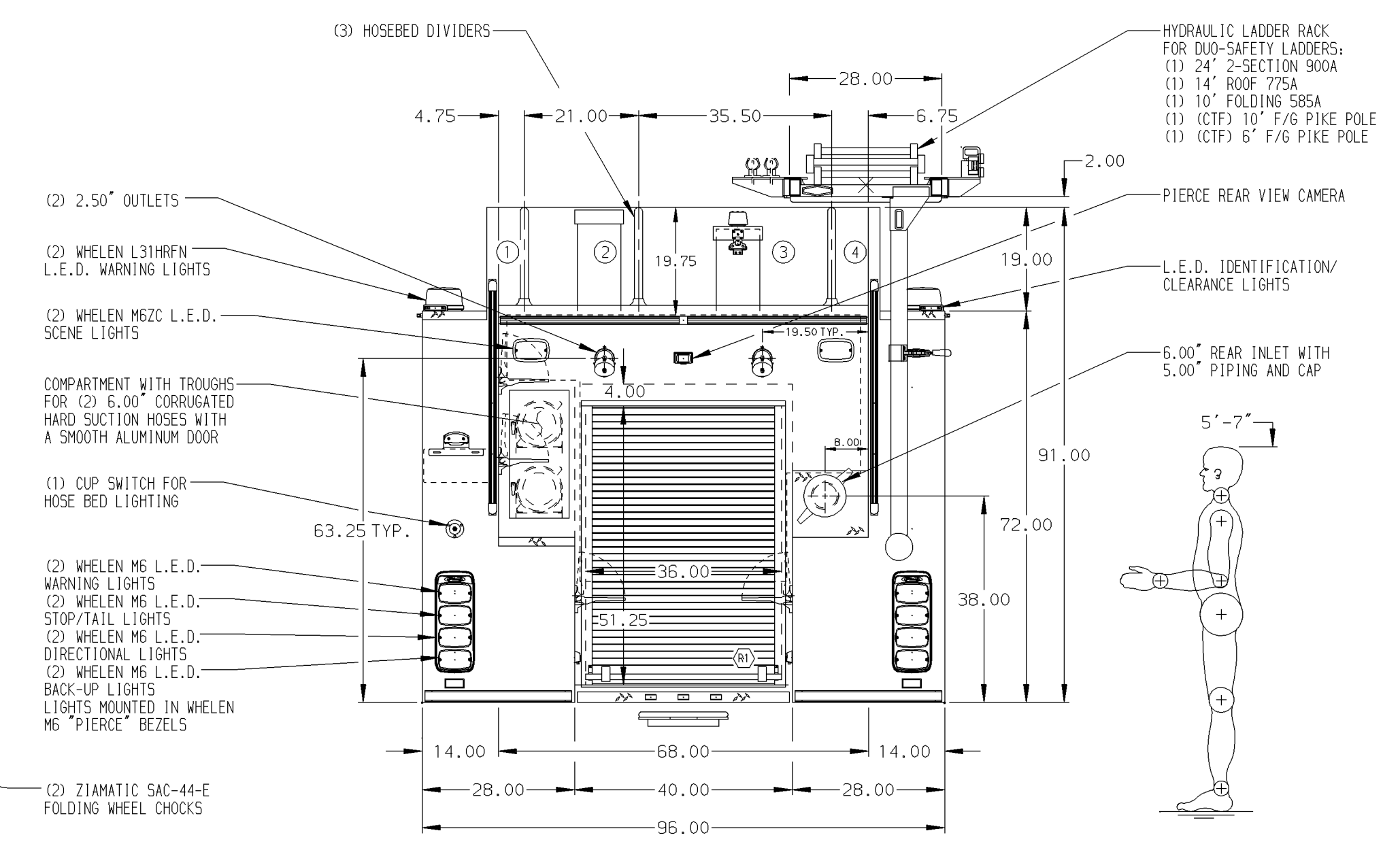
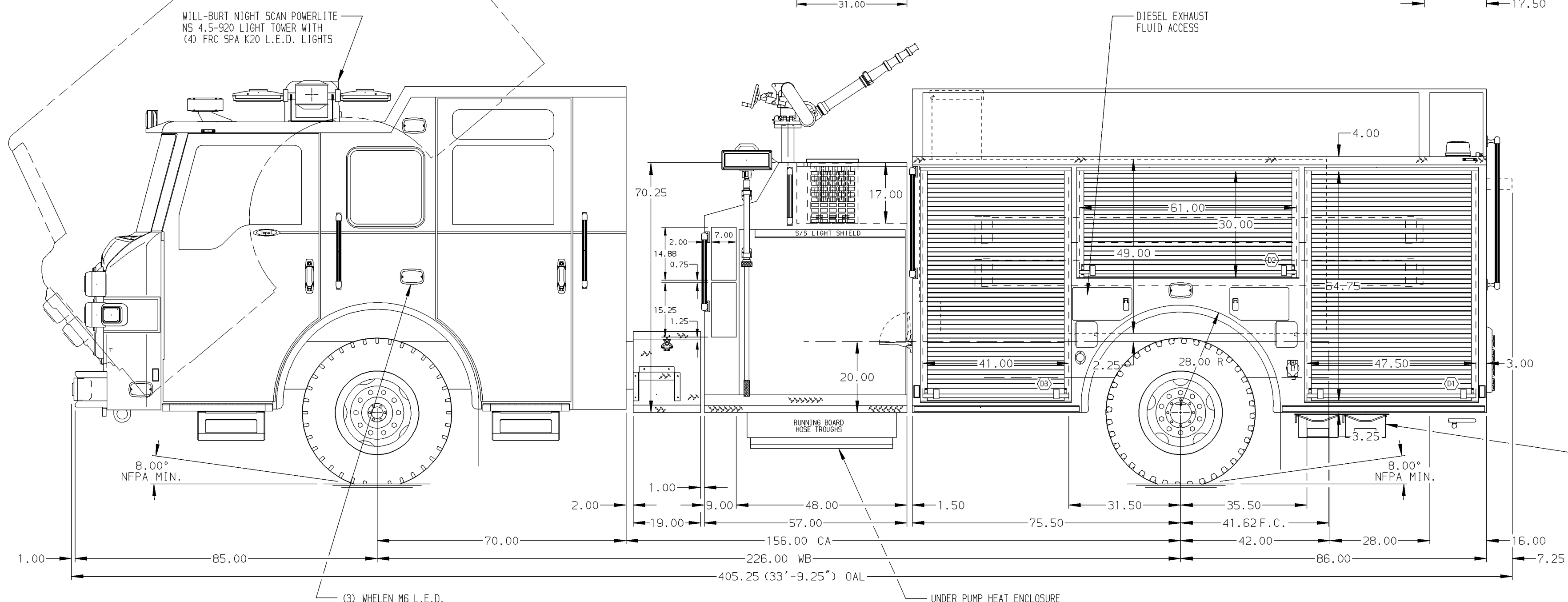


- HOSEBED CAPACITIES**
- ① - 250' OF 1.50" HOSE
  - ② - 1000' OF 2.50" HOSE
  - ③ - 1000' OF 5.00" HOSE
  - ④ - 550' OF 1.50" HOSE



**ALUMINUM BODY**

**NOTE**  
DIMENSIONS SHOWN ARE APPROXIMATE AND ARE SUBJECT TO MINOR DEVIATIONS AS MAY OCCUR OR BE NECESSARY IN CONSTRUCTION. MINOR DETAILS NOT SHOWN.

1. ONSPOT AUTOMATIC TIRE CHAINS TO BE PROVIDED AT REAR
2. ALUMINUM TREADPLATE EXTERIOR REAR WALL OF CAB
3. BATTERY CHARGER LOCATED IN COMPARTMENT D3
4. BATTERY CHARGE INDICATOR LOCATED ON D.S. PUMP PANEL
5. ONE 12V L.E.D. LIGHT STRIP LOCATED ON EACH SIDE IN THE HOSEBED
6. 12V L.E.D. 63.00" LIGHT STRIP ON THE FRONT OF THE HOSE BED
7. AMOR L.E.D. COMPARTMENT DUAL LIGHT STRIPS LOCATED PER SHOP ORDER
8. PAINTED SHELF TRACKS LOCATED IN ALL BODY COMPARTMENTS
9. TWO FULL WIDTH/DEPTH PAINTED ADJUSTABLE SHELVES IN COMPARTMENT P1, P2 & R1; THREE IN D1, D3 & P3
10. ONE FLOOR MOUNTED SLIDE-OUT TRAY IN COMPARTMENT D1, P1 & R1
11. CIRCUIT BREAKER PANEL IN COMPARTMENT D3
12. ONE HANNAY ELECTRIC REWIND CORD REEL MODEL 1619-17-1B LOCATED IN THE P.S. CARGO AREA FOR 150' OF 10/9 CABLE, JUNCTION BOX, AND TREADPLATE JUNCTION BOX HOLDER
13. PIERCE LOGO MUFFLAPS FRONT AND REAR
14. AIR INLET WITH DISCONNECT COUPLING ON THE D.S. PUMP PANEL
15. STAINLESS STEEL FENDER CROWNS FRONT AND REAR
16. ONE SHOULDER RECEPTACLE LOCATED ON THE D.S. PUMP PANEL
17. PERIMETER SCENE LIGHTS LOCATED PER SHOP ORDER
18. ONE 30A, 240V RECEPTACLE LOCATED IN COMPARTMENT R1
19. ONE 6-PLACE RECEPTACLE IN COMPARTMENT D3 & P3; THREE IN THE CAB

		JOB NO.	28284
		SCALE	DATE
TITLE	1250-D-1000P W/25 GAL FOAM CELL, 161" FH FDLER, REEL (2) SPLAYS, HYD LADDER RACK, GENERATOR, DELUGE	DRAWN BY	DDO
FOR	NORTH FREEDOM FIRE DEPARTMENT	CHECKED BY	SHA
	NORTH FREEDOM, WISCONSIN	SHEET SIZE	SHEET NO.
DWG NO.	28284AD		1 OF 1

REV	DATE	BY	CH	IMPEL
26NOV14	DDO	JBO		