

PASSENGER'S SIDE COMPARTMENTS CONTAIN THE FOLLOWING:

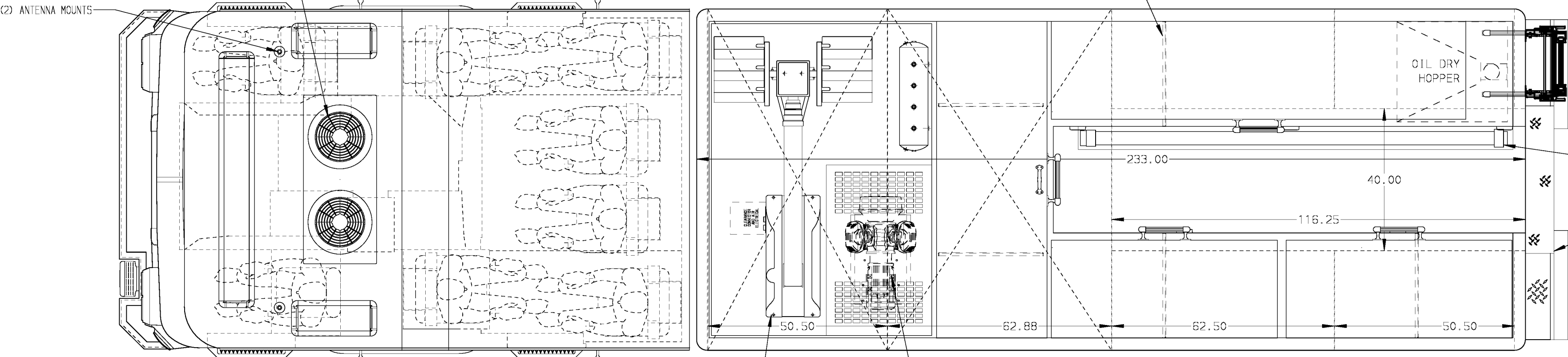
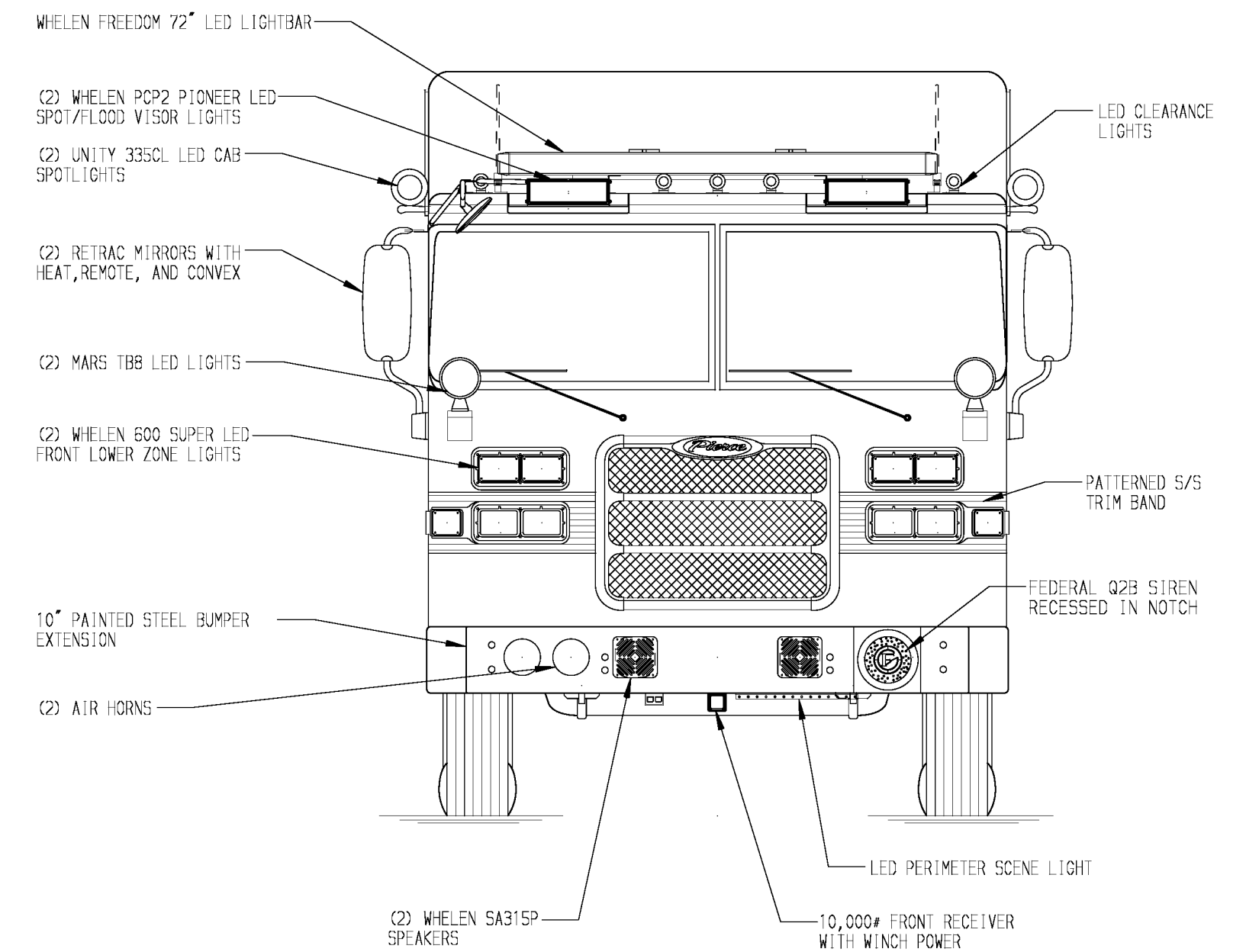
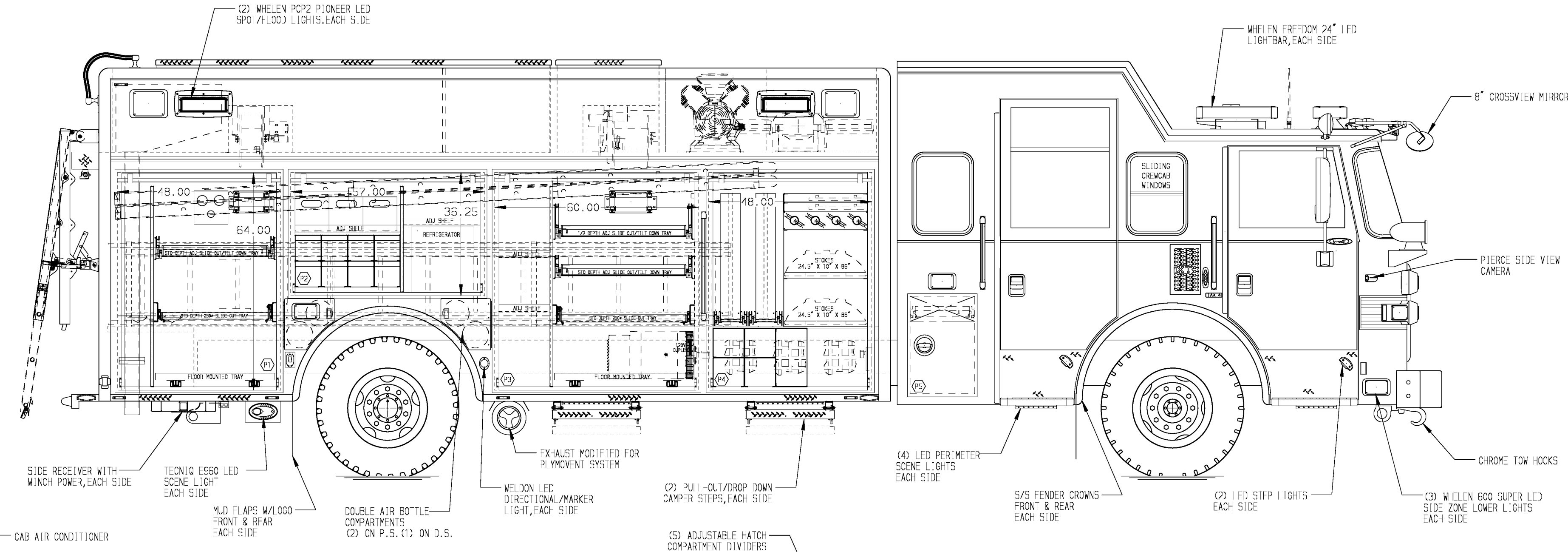
- COMPARTMENT P1 CONTAINS:**
- (1) OIL DRY HOPPER
 - (1) VERTICAL COMPARTMENT DIVIDER
 - (1) STD DEPTH ADJ SLIDE OUT TRAY
 - (1) STD DEPTH ADJ SLIDE OUT/TILT TRAY
 - (1) FLOOR MOUNTED TRAY
 - (1) TOOL AIR REEL W/150' OF HOSE

- COMPARTMENT P2 CONTAINS:**
- (1) RACK FOR 8 SCBA BOTTLES
 - (1) VERTICAL COMPARTMENT DIVIDER
 - (2) STD DEPTH ADJ SHELVES
 - (3) POLY TOOL BOXES
 - (1) STD DEPTH ADJ SHELF
 - (1) 10.00 1.7 C.F. REFRIGERATOR

- COMPARTMENT P3 CONTAINS:**
- (1) VERTICAL COMPARTMENT DIVIDER
 - (2) STD DEPTH ADJ SHELVES
 - (1) STD DEPTH ADJ SLIDE OUT TRAY
 - (1) STD DEPTH ADJ SLIDE OUT/TILT TRAY
 - (1) 1/2 DEPTH ADJ SLIDE OUT/TILT TRAY
 - (1) FLOOR MOUNTED TRAY
 - (1) ELECTRIC CORD REEL WITH 200' OF 10/3 YELLOW CORD
 - (1) 15A, 120V 5-PLACE RECEPTACLE
 - (1) 20A, 120V DUPLEX RECEPTACLE

- COMPARTMENT P4 CONTAINS:**
- (1) RACK FOR 4 PIKE POLES
 - (1) HORIZONTAL FLOOR EXTENSION (3/8" PLATED)
 - (1) CAB LIFT CONTROLLER
 - (1) 1/2 DEPTH ADJ SLIDE OUT TOOLBOARD
 - (1) RACK FOR 2 BACKBOARDS
 - (1) RACK FOR 2 STOCKS BASKETS
 - (1) 2-WAY ADJ SLIDE OUT TOOLBOARD
 - (1) RACK FOR 4 PIKE POLES
 - (1) SPECIAL LOWER RACK
 - (1) CARGO RETENTION NETTING

- COMPARTMENT P5 CONTAINS:**
- (1) 1/2 DEPTH SLIDE OUT TRAY



DRIVER'S SIDE COMPARTMENTS CONTAIN THE FOLLOWING:

- COMPARTMENT D1 CONTAINS:**
- (1) STD DEPTH ADJ SLIDE OUT TRAY
 - (1) STD DEPTH ADJ SLIDE OUT/TILT TRAY
 - (1) FLOOR MOUNTED TRAY
 - (1) TOOL AIR REEL W/150' OF HOSE
 - (1) CIRCUIT BREAKER PANEL
 - (1) GENERATOR METER PANEL
 - (1) SUB FEED BOX
 - (1) NIGHT SCAN CONTROLLER
 - (1) VERTICAL COMPARTMENT DIVIDER

- COMPARTMENT D2 CONTAINS:**
- (1) VERTICAL COMPARTMENT DIVIDER
 - (1) STD DEPTH ADJ SHELF WITH DIVIDER
 - 5" ANGLE ON COMPARTMENT FLOOR
 - (4) HOOKS ON STD DEPTH SLIDE
 - (4) POLY TOOL BOXES
 - (1) CARGO RETENTION NETTING

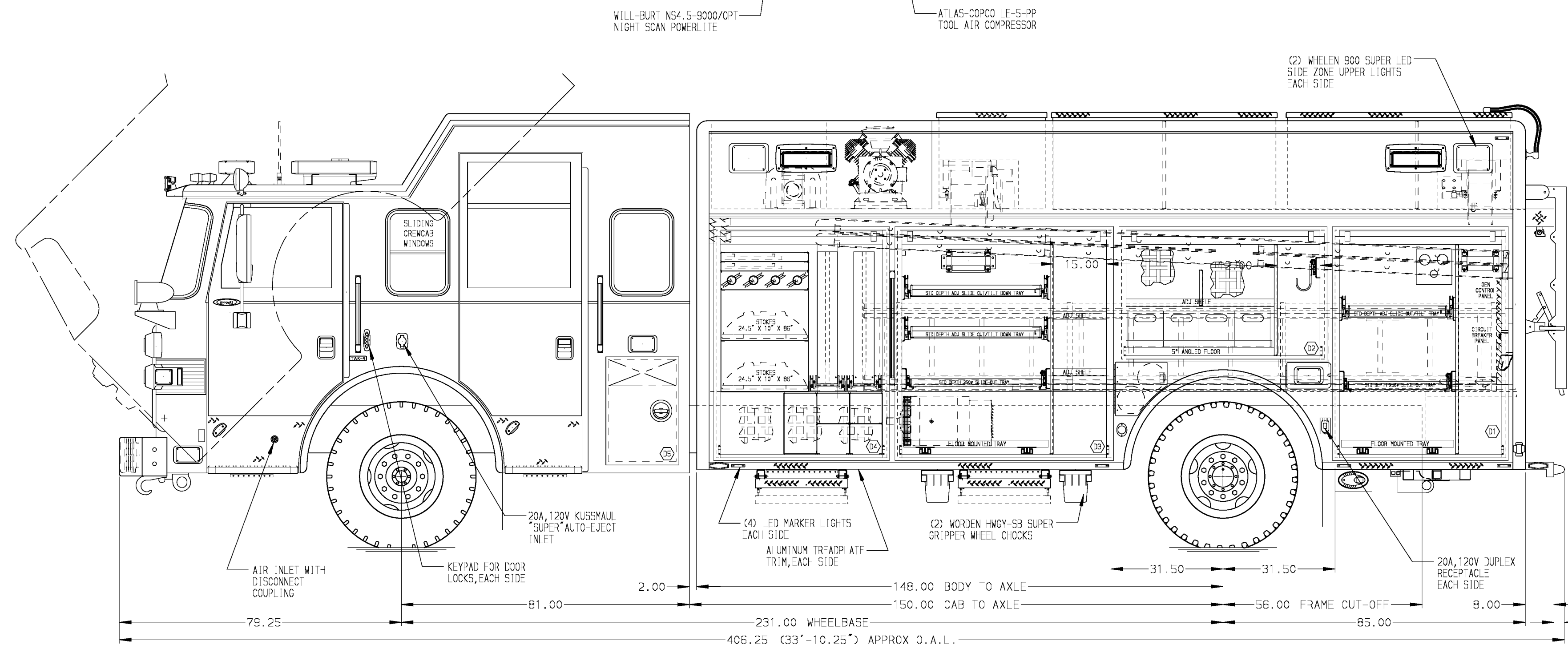
- COMPARTMENT D3 CONTAINS:**
- (1) VERTICAL COMPARTMENT DIVIDER
 - (2) STD DEPTH ADJ SHELVES
 - (1) STD DEPTH ADJ SLIDE OUT TRAY
 - (2) STD DEPTH ADJ SLIDE OUT/TILT TRAYS
 - (1) FLOOR MOUNTED TRAY
 - (1) ELECTRIC CORD REEL WITH 200' OF 10/3 YELLOW CORD
 - (1) 15A, 120V 5-PLACE RECEPTACLE
 - (1) 20A, 120V DUPLEX RECEPTACLE

- COMPARTMENT D4 CONTAINS:**
- (1) DUAL BANK PRO CHARGER
 - (1) RACK FOR 4 PIKE POLES
 - (1) HORIZONTAL FLOOR EXTENSION (3/8" PLATED)
 - (1) 2-WAY ADJ SLIDE OUT TOOLBOARD
 - (1) RACK FOR 2 BACKBOARDS
 - (1) RACK FOR 2 STOCKS BASKETS
 - (1) SPECIAL LOWER RACK
 - (1) SPECIAL DEPTH ADJ SLIDE OUT TOOLBOARD
 - (1) CARGO RETENTION NETTING

- COMPARTMENT D5 CONTAINS:**
- (1) 15A, 120V 5-PLACE RECEPTACLE LOCATED BEHIND DRIVER'S SEAT

REAR COMPARTMENT CONTAINS THE FOLLOWING:

- COMPARTMENT R1 CONTAINS:**
- (1) RACK FOR THE FOLLOWING:
 - (1) 35" 3-SECTION LADDER
 - (2) 24" 2-SECTION LADDERS
 - (2) 16" ROOF LADDERS
 - (2) 14" ROOF LADDERS
 - (2) 10" FOLDING LADDERS
 - (4) PIKE POLES
 - (3) "D" HANDLE PIKE POLES
 - (1) TRASH HOOK
 - (1) MARRIED ROOF HOOK AND HALLIGAN HOOK

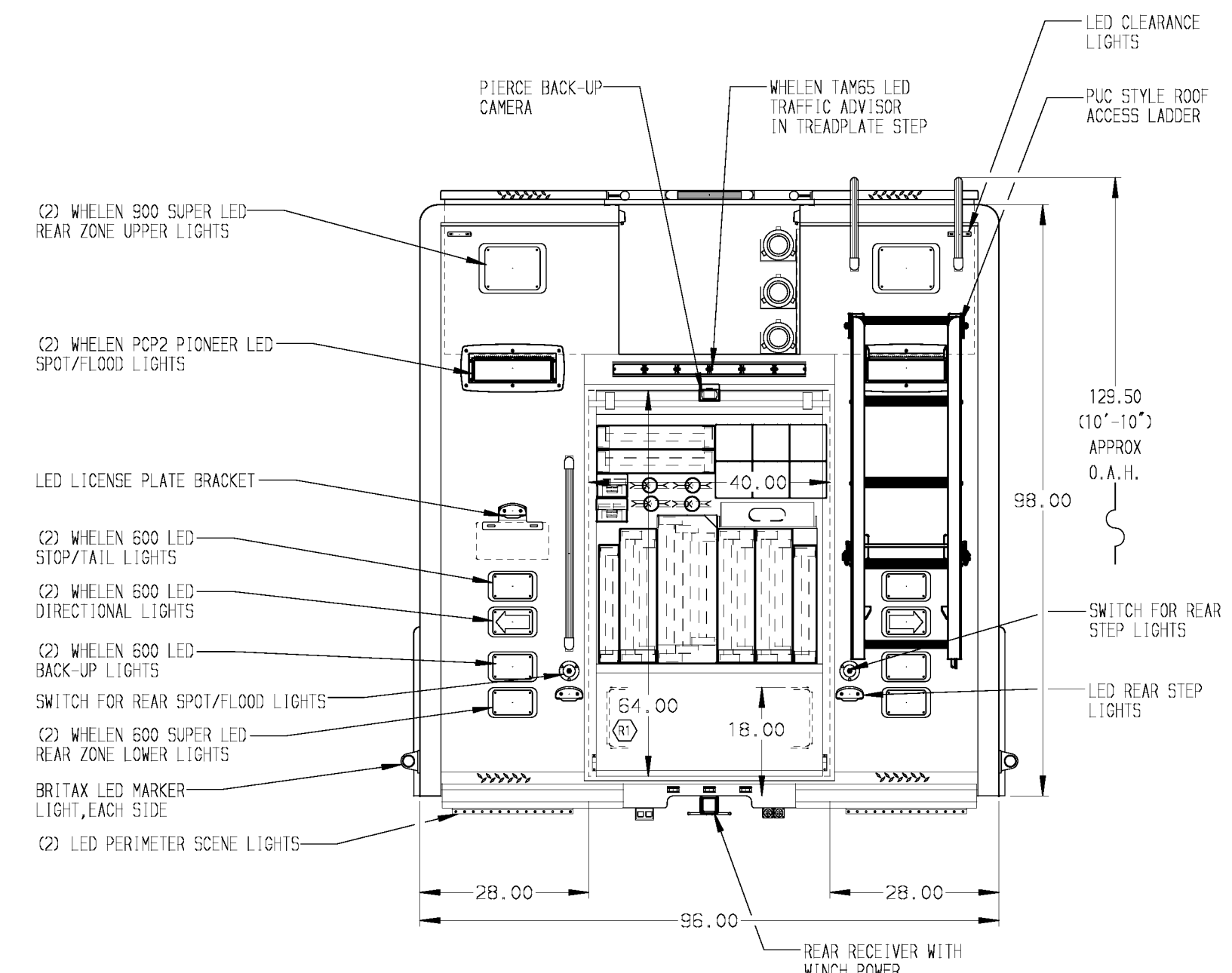


- COMPARTMENT D1 CONTAINS:**
- (1) STD DEPTH ADJ SLIDE OUT TRAY
 - (1) STD DEPTH ADJ SLIDE OUT/TILT TRAY
 - (1) FLOOR MOUNTED TRAY
 - (1) TOOL AIR REEL W/150' OF HOSE
 - (1) CIRCUIT BREAKER PANEL
 - (1) GENERATOR METER PANEL
 - (1) SUB FEED BOX
 - (1) NIGHT SCAN CONTROLLER
 - (1) VERTICAL COMPARTMENT DIVIDER

- COMPARTMENT D2 CONTAINS:**
- (1) VERTICAL COMPARTMENT DIVIDER
 - (1) STD DEPTH ADJ SHELF WITH DIVIDER
 - 5" ANGLE ON COMPARTMENT FLOOR
 - (4) HOOKS ON STD DEPTH SLIDE
 - (4) POLY TOOL BOXES
 - (1) CARGO RETENTION NETTING

- COMPARTMENT D3 CONTAINS:**
- (1) VERTICAL COMPARTMENT DIVIDER
 - (2) STD DEPTH ADJ SHELVES
 - (1) STD DEPTH ADJ SLIDE OUT TRAY
 - (2) STD DEPTH ADJ SLIDE OUT/TILT TRAYS
 - (1) FLOOR MOUNTED TRAY
 - (1) ELECTRIC CORD REEL WITH 200' OF 10/3 YELLOW CORD
 - (1) 15A, 120V 5-PLACE RECEPTACLE
 - (1) 20A, 120V DUPLEX RECEPTACLE

- COMPARTMENT D4 CONTAINS:**
- (1) DUAL BANK PRO CHARGER
 - (1) RACK FOR 4 PIKE POLES
 - (1) HORIZONTAL FLOOR EXTENSION (3/8" PLATED)
 - (1) 2-WAY ADJ SLIDE OUT TOOLBOARD
 - (1) RACK FOR 2 BACKBOARDS
 - (1) RACK FOR 2 STOCKS BASKETS
 - (1) SPECIAL LOWER RACK
 - (1) SPECIAL DEPTH ADJ SLIDE OUT TOOLBOARD
 - (1) CARGO RETENTION NETTING



NOTE
DIMENSIONS SHOWN ARE APPROXIMATE AND ARE SUBJECT TO MINOR DEVIATIONS AS MAY OCCUR OR BE NECESSARY IN CONSTRUCTION. MINOR DETAILS NOT SHOWN.

- NOTES:**
- RUD AUTOMATIC TIRE CHAINS
 - RANSBY QMS000 PORTABLE WINCH
 - BRUSHED 5/8" SCUFFPLATE ON REAR OF ENGINE TUNNEL
 - POLISHED 5/8" SCUFFPLATES ON CAB DOOR JAMBS
 - (2) FULL WIDTH SHELVES MOUNTED IN THE CREW CAB ABOVE THE SEATS
 - FLOOR IN CAB AND CREW CAB TO BE PADDED RUBBER
 - BATTERY CHARGE INDICATOR LOCATED ON DRIVER'S SEAT
 - 5/8" GUARDS LOCATED ON ALL BODY ROLL-UP DOORS
 - PIERCE DUAL LED LIGHTS IN EACH BODY COMPARTMENT
 - OMAN 35KW SINGLE PHASE PTO DRIVEN GENERATOR LOCATED BETWEEN THE FRAME RAILS

(SIDE ROLL AND FRONTAL IMPACT PROTECTION)

REV	DATE	BY	CH	CHASSIS DATA
05APR15	DHE	AZU		MAKE
17FEB15	DHE	CDK		PIERCE
09FEB15	DHE	CDK		MODEL
07JAN15	DHE	AZU		AX8120

		JOB NO.	28316
		SCALE	DATE
TITLE	HEAVY DUTY RESCUE NON-WALKIN	DRAWN BY	DHE
FOR	PARSIPPANY TROY HILLS FD NO. 4	CHECKED BY	AZU
	PARSIPPANY TROY HILLS, NJ	SHEET SIZE	SHEET NO.
DWG NO.	28316AD		1 OF 1