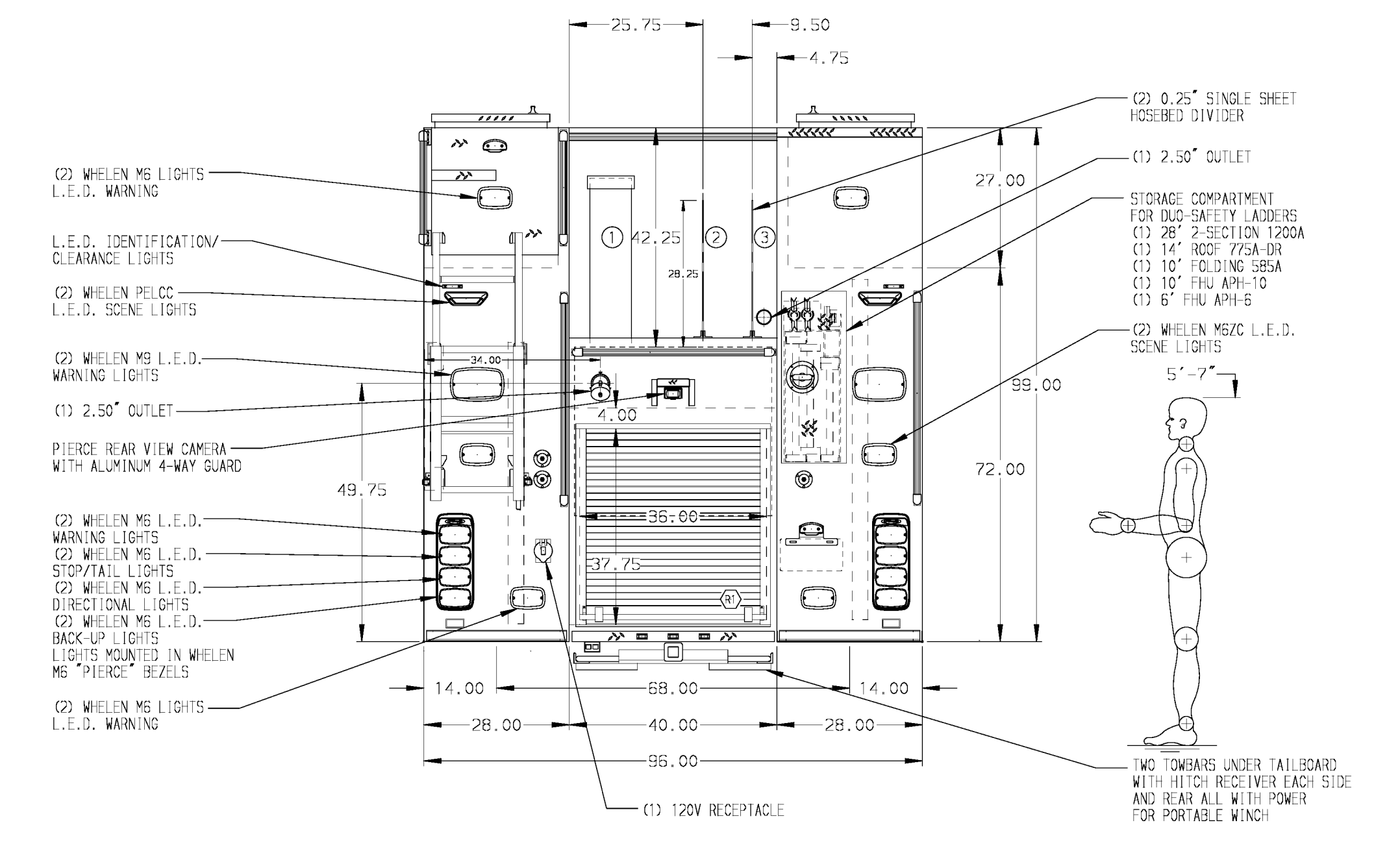


- HOSEBED CAPACITIES
- ① 1000' OF 5.00" D.J. HOSE
 - ② 800' OF 2.50" D.J. HOSE
 - ③ 200' OF 2.50" D.J. HOSE



ALUMINUM BODY

FRONTAL IMPACT PROTECTION

NOTE
 DIMENSIONS SHOWN ARE APPROXIMATE AND ARE SUBJECT TO MINOR DEVIATIONS AS MAY OCCUR OR BE NECESSARY IN CONSTRUCTION. MINOR DETAILS NOT SHOWN.

1. PIERCE LOGO MUDFLAPS FRONT AND REAR
2. BATTERY CHARGER LOCATED IN COMPARTMENT D3
3. BATTERY CHARGE INDICATOR LOCATED ON D.S. SEAT RISER
4. SUB-FEED CIRCUIT BREAKER PANEL IN COMPARTMENT D3
5. FOUR WHELEN Q1-065068-00 12V L.E.D. LIGHTS LOCATED IN THE HOSE BED
6. DRIP PAN GUARD FOR ROLL-UP DOOR LOCATED IN COMPARTMENT R1
7. PIERCE L.E.D. DUAL COMPARTMENT LIGHT STRIPS LOCATED PER SHOP ORDER
8. PAINTED SHELF TRACKS LOCATED IN COMPARTMENTS D1, P1, & P3
9. ONE FULL WIDTH/DEPTH PAINTED ADJUSTABLE SHELF IN COMPARTMENTS P1 & P3; TWO IN D1
10. ONE FLOOR MOUNTED SLIDE-OUT TRAY IN COMPARTMENT D3
11. ALUMINUM SLIDE-OUT TOOLBOARD WITH PEGBOARD PATTERN IN COMPARTMENT D3
12. SWING-OUT TOOL BOARD WITH PEGBOARD PATTERN IN COMPARTMENT P2
13. ONE HORIZONTAL PARTITION IN COMPARTMENT D2
14. ALL BODY COMPARTMENTS WITH LOWERS SHALL HAVE A REMOVABLE FILTER
15. TURTLE TILE MATTING WITH RAMP ON FLOOR IN COMPARTMENT D1
16. TURTLE TILE MATTING ON EACH ADJUSTABLE SHELF, AND ROLL-OUT TRAY IN D3
17. CTECH DRAWER ASSEMBLY IN COMPARTMENT D3
18. FOUR ADJUSTABLE VERTICAL PARTITIONS IN COMPARTMENT D2
19. PARTITION BETWEEN COMPARTMENTS D1/R1
20. ONE VERTICAL PARTITION IN COMPARTMENT D3

21. ALUMINUM PEGBOARD WITH TRACKS ON THE REAR WALL OF COMPARTMENTS P1, P2, & P3
22. REAR DOOR OF COMPARTMENT D3 TO OPEN PAST 90 DEGREES
23. FOUR VERTICAL PARTITIONS W/ SPECIAL TRACKS LOCATED IN COMPARTMENT D2
24. 5/8" STYL FENDER CROWNS FRONT AND REAR
25. ALL FOLDING STEPS TO BE TRIDENT WITH INTEGRATED L.E.D. LIGHT UNLESS SPECIFIED
26. CIRCUIT BREAKER PANEL IN COMPARTMENT D3
27. ONE HANNAY ELECTRIC REWIND CORD REEL 1618-17-18 IN DS BUMPER EXTENSION W/ 200' OF 12/3 CABLE
28. ONE SENTREX 8-PLACE RECEPTACLE STRIPS LOCATED IN CAB
29. STRUT STORAGE IN TRANSVERSE STORAGE AREA BETWEEN COMPARTMENTS P1 & R1
30. ONE 120V DUPLEX RECEPTACLE LOCATED IN CAB
31. ONE 120V DUPLEX RECEPTACLE LOCATED IN COMPARTMENTS D3, & P3

REV	DATE	BY	CH	QUANTUM
1	18FEB15	COL	ANG	MAKE
2	09JAN15	COL	ANG	PIERCE
3	24OCT14	COL	GRM	MODEL

		JOB NO.	28375
		SCALE	DATE
TITLE	1500-D-500 GAL POLY, 161" FULL HEIGHT/FULL DEPTH (1)XRAY, (2)SPEEDLAYS, LADDERS THRU PS BODY	DRAWN BY	COL
FOR	SOUTH JORDAN CITY FIRE DEPARTMENT SOUTH JORDAN, UTAH	CHECKED BY	GRM
DWG NO.	28375AD	SHEET SIZE	D
		SHEET NO.	1 OF 1