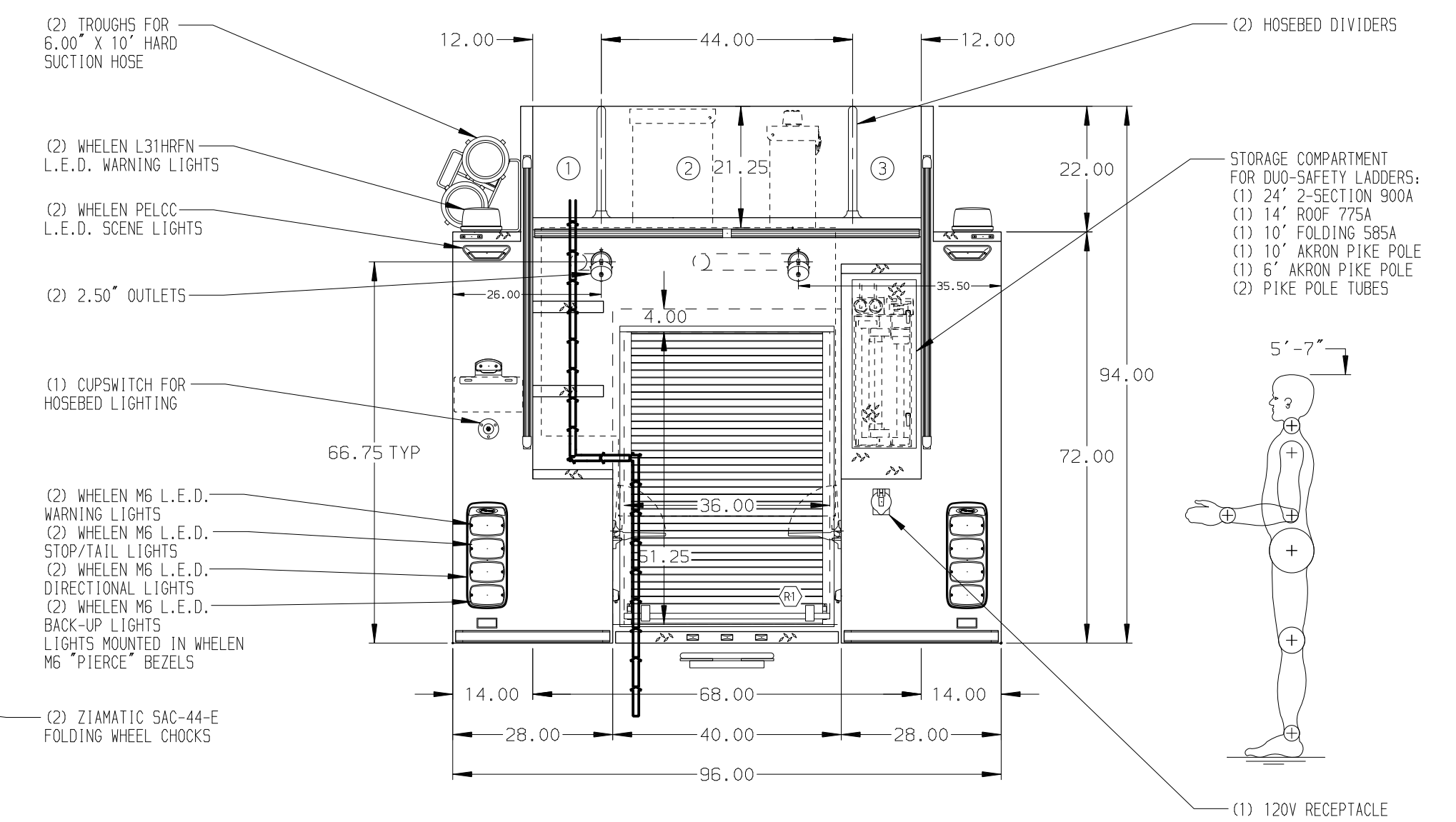
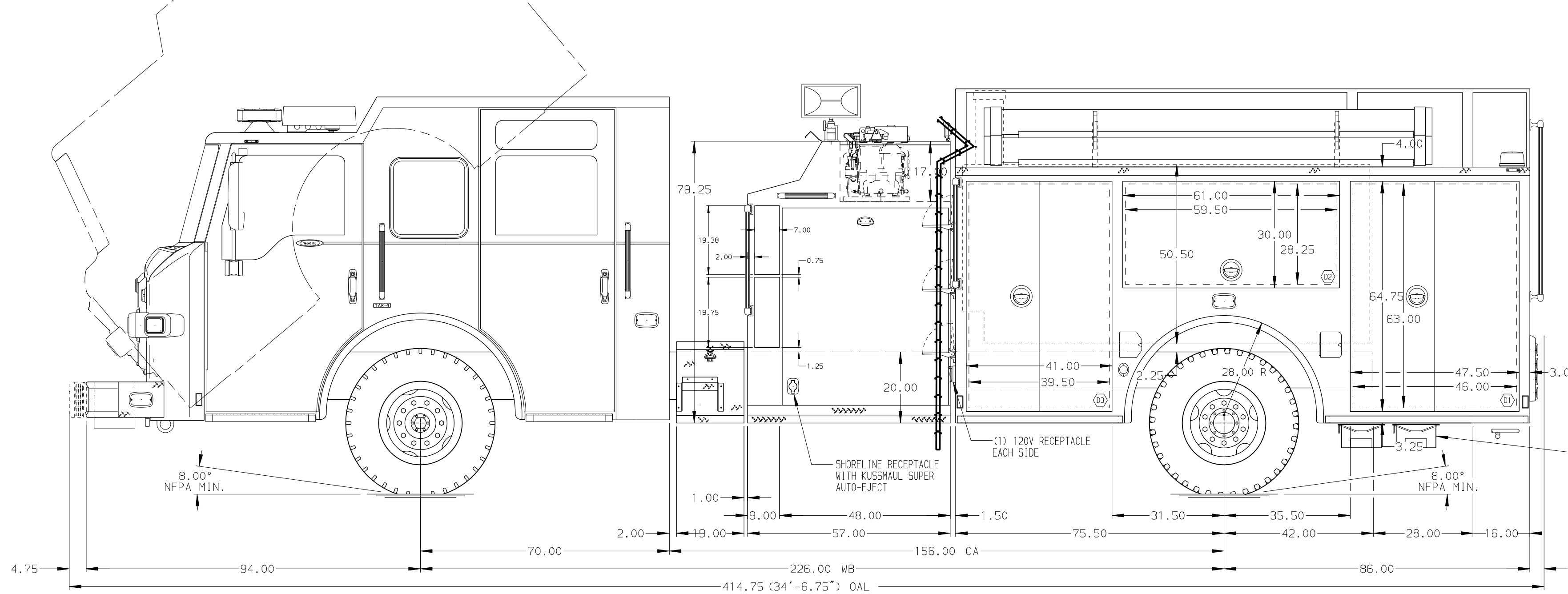


- HOSEBED CAPACITIES
- ① 500' OF 3.00" D.J. POLY HOSE
 - ② 1000' OF 5.00" D.J. POLY HOSE
 - ③ 500' OF 3.00" D.J. POLY HOSE



ALUMINUM BODY

NOTE
 DIMENSIONS SHOWN ARE APPROXIMATE AND ARE SUBJECT TO MINOR DEVIATIONS AS MAY OCCUR OR BE NECESSARY IN CONSTRUCTION.
 MINOR DETAILS NOT SHOWN.

- 1. BATTERY CHARGER LOCATED IN COMPARTMENT D3
- 2. BATTERY CHARGE INDICATOR LOCATED NEAR D.S. SEAT RISER WITH BRACKET
- 3. AIR INLET W/ DISCONNECT FITTING LOCATED IN DRIVERS STEP AREA
- 4. ONE L.E.D. LIGHT STRIP LOCATED ON EACH SIDE IN THE HOSEBED
- 5. ONE ADJUSTABLE SHELF IN COMPARTMENTS D1, D3, P1, & R1
- 6. ONE FLOOR MOUNTED SLIDE-OUT TRAY IN COMPARTMENTS D1 & P1
- 7. ALL BODY COMPARTMENTS WITH COVERS SHALL HAVE A REMOVABLE FILTER
- 8. 140 CFM COMPRESSED AIR FOAM SYSTEM
- 9. CIRCUIT BREAKER PANEL LOCATED IN COMPARTMENT D3

CHASSIS DATA	TITLE	1500-D-1000 GAL POLY W/25 GAL FOAM CELL, 161" FDLER
MAKE	FOR	(2)SPEEDLAYS, DELUGE, LADDERS BESIDE TANK, CAFS
PIERCE		ROOSEVELT CITY CORPORATION
MODEL		ROOSEVELT, UTAH
VELOCITY	DWG NO.	30023AD

		JOB NO.	30023
		SCALE	DATE
1:24			
DRAWN BY	COL	15APR16	
CHECKED BY	SMA	18APR16	
SHEET SIZE	D	SHEET NO.	1 OF 1